



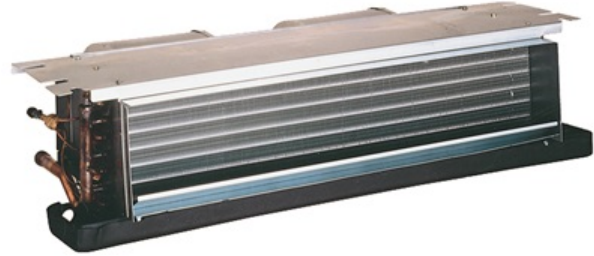
## Submittal Data Sheet

1.5 Ton, Ceiling-Mount, Uncased Air Handler

ACNF180616

### STANDARD FEATURES

- Check flowrate for heat pump and cooling-only applications
- All-Aluminum tube/aluminum fin coil
- Direct-drive, resilient-mount, multi-speed motor
- Sequence-controlled and rust-resistant nickel chromium heating elements of 5, 6, 8 and 10 kW
- High-efficiency evaporator coil
- Quiet operation
- Models with EEM motors: ACNF25 & ACNF31
- Models with PSC motors: ACNF18, ACNF24, & ACNF30
- Available with and without heat
- AHRI Certified
- ETL Listed
- Primary/secondary drain connection in a high-temperature plastic drain pan
- Suitable for free-return installation (non-ducted return air)
- Galvanized-steel construction
- Factory-installed pull-type disconnect
- Easy service access





## Submittal Data Sheet

1.5 Ton, Ceiling-Mount, Uncased Air Handler

ACNF180616

### PERFORMANCE

Product Model No.	ACNF180616	Product Model Name:	1.5 Ton, Ceiling-Mount, Uncased Air Handler
Type:	Air Handler	Cooling Capacity (Nominal) (Btu/hr):	18,000
Blower Motor Rating (HP):	1/8		

### PRODUCT DETAILS

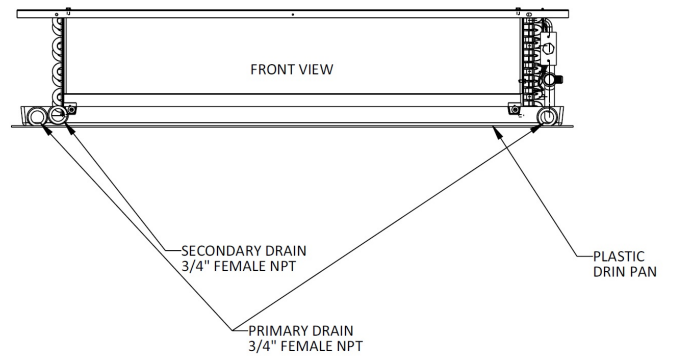
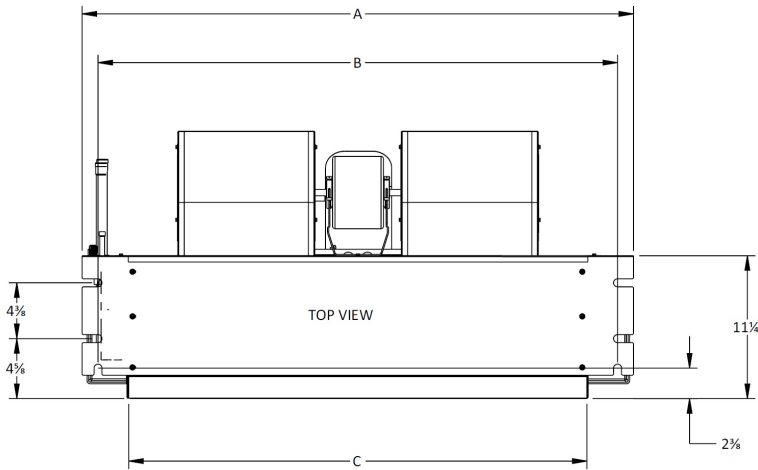
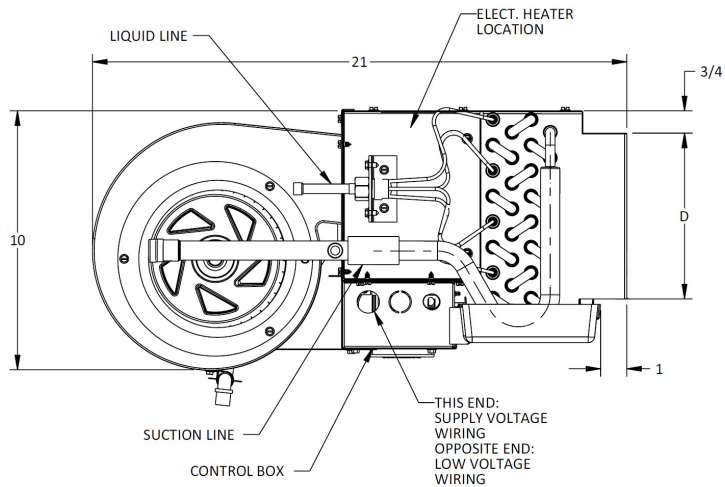
Power Supply (V/Hz/Ph):	208-230 / 60 / 1	Airflow Rate (High / Low) (CFM):	660 / 595
Min. Circuit Amps MCA (A):	30.4	Suction Valve Connection Size (inch):	3/4
Max Overcurrent Protection (MOP) (A):	30	Liquid Valve Connection Size (inch):	3/8
Dimensions (HxWxD) (in):	10 x 37-1/25 x 21	Condensate Connection (inch):	3/4
Net Weight (lb):	59	Blower Size Diameter (inch):	5.75
Gross Weight (lb):	59	Blower Size Width (inch):	6.75



**Submittal Data Sheet**

1.5 Ton, Ceiling-Mount, Uncased Air Handler  
ACNF180616

**DIMENSIONAL DRAWING**



	ACNF18	ACNF24	ACNF25	ACNF30	ACNF31
A	37 1/4"	43 1/4"	43 1/4"	49 1/4"	49 1/4"
B	34 3/4"	40 3/4"	40 3/4"	46 3/4"	46 3/4"
C	30"	36"	36"	42"	42"
D	6 1/2"	6 1/2"	6 1/2"	6 1/2"	6 1/2"