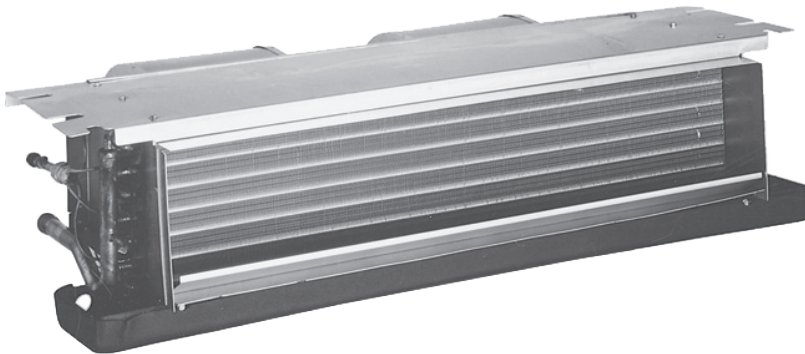


## CEILING-MOUNTED AIR HANDLERS 1½ TO 2½ TONS



### ■ Contents

Nomenclature .....	2
Product Specifications .....	3
Dimensions .....	4
Airflow Data .....	5
Heat Kit Data.....	5
Wiring Diagram .....	6
Accessories .....	7

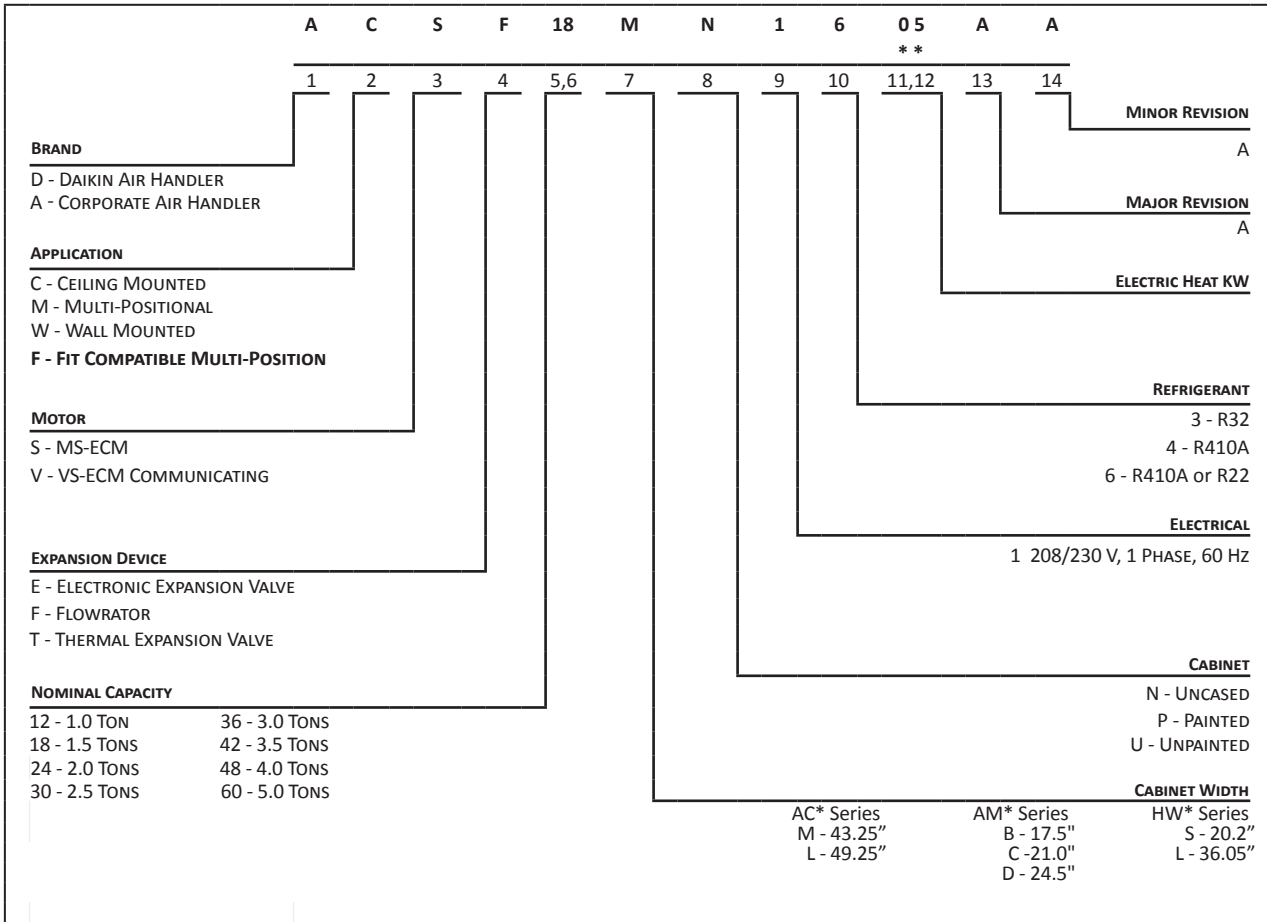
### ■ Product Features

- All-Aluminum tube/aluminum fin coil
- Direct-drive, resilient-mount, multi-speed motor
- Sequence-controlled and rust-resistant nickel chromium heating elements of 5, 6, 8 and 10 kW
- High-efficiency evaporator coil
- Quiet operation
- AHRI Certified; ETL Listed
- Primary/secondary drain connection in a high-temperature plastic drain pan
- Suitable for free-return installation (non-ducted return air)
- Galvanized-steel construction
- Factory-installed pull-type disconnect
- Easy service access



\* Complete warranty details available from your local dealer or at [www.daikincomfort.com](http://www.daikincomfort.com). To receive the 12-Year Parts Limited Warranty, online registration must be completed within 60 days of installation. Online registration is not required in California or Québec.

NOMENCLATURE

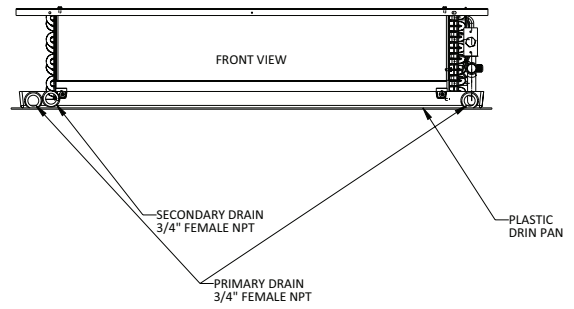
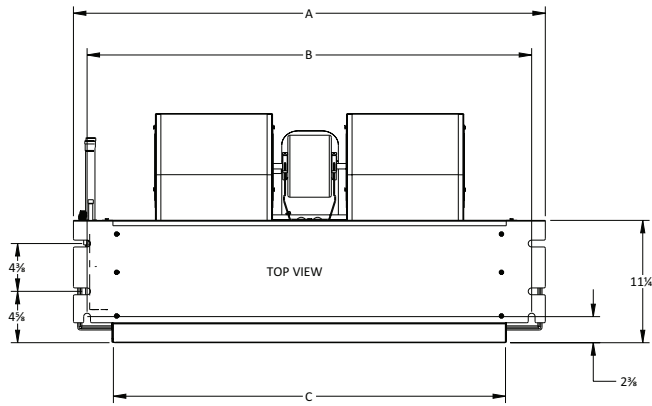
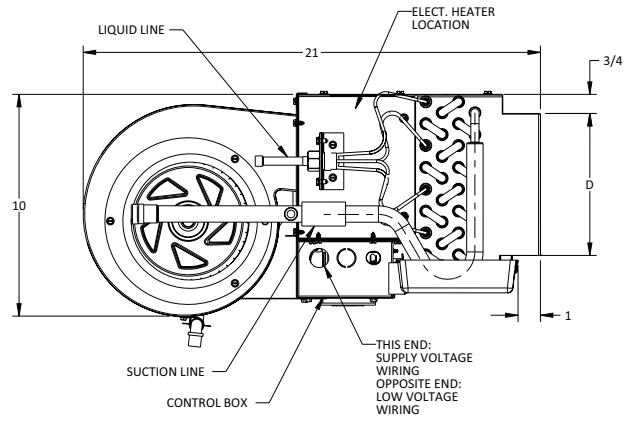


	ACSF18MN1 605AA	ACSF18MN1 608AA	ACSF24LN1 605AA	ACSF24LN1 606AA	ACSF24LN1 608AA	ACSF24LN1 610AA	ACSF30LN1 605AA	ACSF30LN1 606AA	ACSF30LN1 608AA	ACSF30LN1 610AA
<b>NOMINAL RATINGS</b>										
Cooling (BTU/h)	18,000	18,000	24,000	24,000	24,000	24,000	30,000	30,000	30,000	30,000
<b>BLOWER</b>										
Diameter	6.3	6.3	6.7	6.7	6.7	6.7	6.7	6.7	6.7	6.7
Width	8.06	8.06	8.06	8.06	8.06	8.06	8.06	8.06	8.06	8.06
Coil Drain Connect FPT	¾"	¾"	¾"	¾"	¾"	¾"	¾"	¾"	¾"	¾"
<b>BLOWER MOTOR</b>										
FLA	2	2	2	2	2	2	2	2	2	2
HP	1/4	1/4	1/4	1/4	1/4	1/4	1/4	1/4	1/4	1/4
<b>REFRIGERANT LINE CONNECTION SIZE</b>										
Liquid	¾"	¾"	¾"	¾"	¾"	¾"	¾"	¾"	¾"	¾"
Suction	¾"	¾"	¾"	¾"	¾"	¾"	¾"	¾"	¾"	¾"
<b>ELECTRICAL DATA</b>										
Voltage	208/230	208/230	208/230	208/230	208/230	208/230	208/230	208/230	208/230	208/230
Min Circuit Ampacity @ 230V	28.5	44	28.5	34	44	54.6	28.5	34	44	54.6
Min Circuit Ampacity @ 208V	25	38.6	25	29.6	38.6	48.0	25	29.6	38.6	48
Max. Overcurrent Device @ 230V	30	45	30	35	45	60	30	35	45	60
Max. Overcurrent Device @ 208V	30	40	30	30	40	50	30	30	40	50
Minimum Voltage VAC	197	197	197	197	197	197	197	197	197	197
Maximum Voltage VAC	253	253	253	253	253	253	253	253	253	253
<b>ELECTRIC HEAT</b>										
kW @ 230 Volts	5.0	8.0	5.0	6.0	8.0	10.0	5.0	6.0	8.0	10.0
BTU/h @ 230 Volts	15600.0	25000.0	15600.0	18800.0	25000.0	31300.0	15600.0	18800.0	25000.0	31300.0
<b>SHIP WEIGHT (LBS)</b>	69	69	79	79	79	79	79	79	79	79

**NOTES**

- For the rated performance a Thermal Expansion Valve (TXV) is required.
- When the room thermostat calls for second stage heat, the first stage (heat pump) operation must be locked out. When matching the "AC" unit with a heat pump, order "HEAT PUMP SHUT OFF KIT HPSK-01."

DIMENSIONS



	ACSF18	ACSF24	ACSF30
A	43 3/4"	49 3/4"	49 3/4"
B	40 3/4"	46 3/4"	46 3/4"
C	36"	42"	42"
D	6 1/2"	6 1/2"	6 1/2"

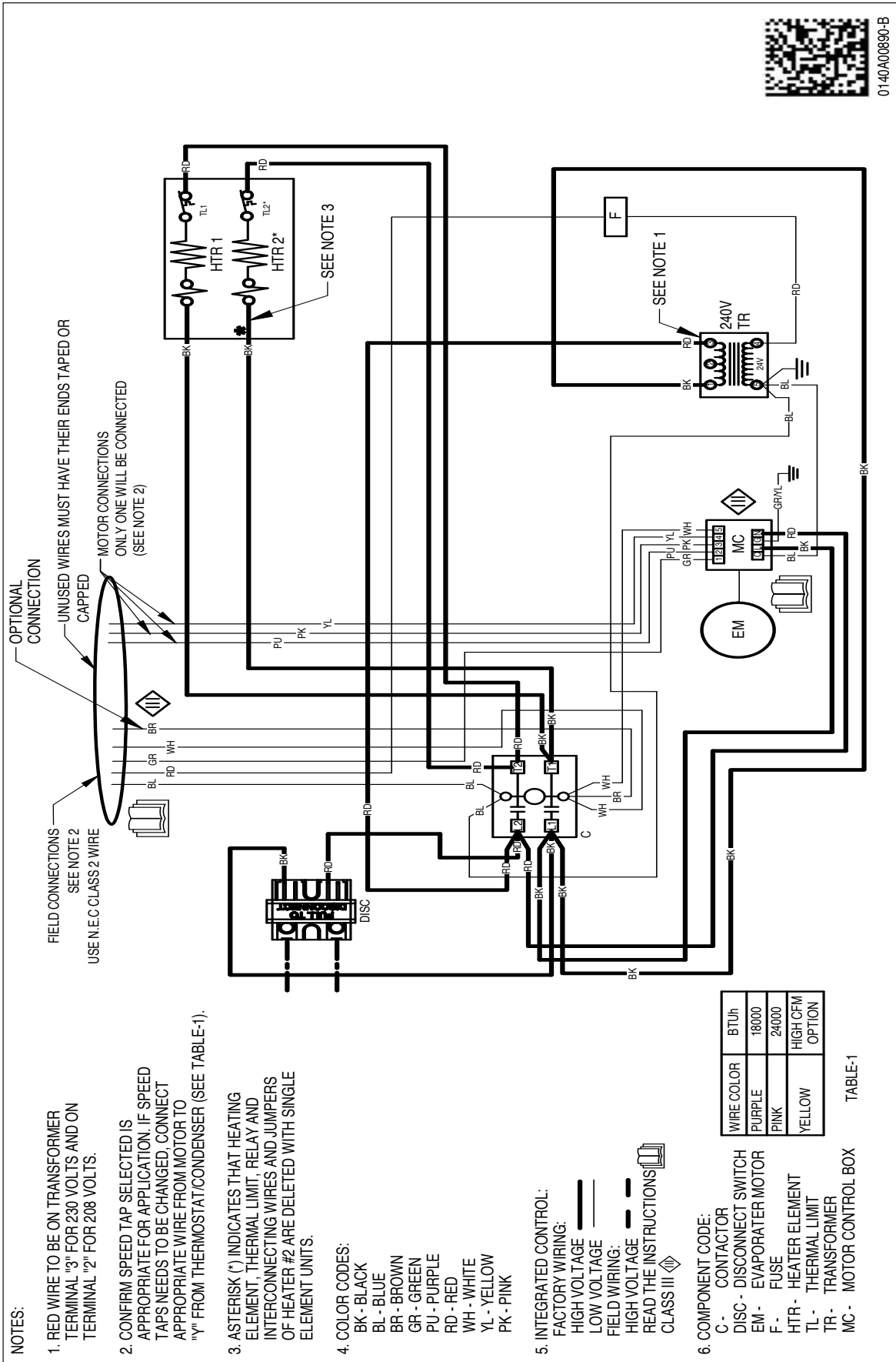
MODEL	MOTOR SPEED	AIRFLOW RATE DELIVERED AGAINST EXTERNAL STATIC PRESSURE, (CFM)				
		0.1"	0.2"	0.3"	0.4"	0.5"
ACSF18MN16**AA	T1	698	645	577	535	473
	T2	698	645	577	535	473
	T3	710	677	625	577	535
	T4	842	805	746	693	628
	T5	842	805	746	693	628
ACSF24LN16**AA ACSF30LN16**AA	T1	781	732	668	613	538
	T2	781	732	668	613	538
	T3	856	804	755	698	644
	T4	927	877	833	788	728
	T5	927	877	833	788	728

Note: Airflow data indicated is at 230 V with no filter in place.

#### HEATING CAPACITY/kW CORRECTION FACTOR

<b>SUPPLY VOLTAGE</b>	240	230	220	210	208
<b>CORRECTION FACTOR</b>	1.08	1.00	0.92	0.84	0.82

(Multiply the 230-volt capacity by factors)



0140A00890-B

MODEL	DESCRIPTION
HPSK-01	Heat Pump Shut-off Relay Kit
<b>LOUVERED CEILING ACCESS PANELS</b>	
CAP-2/ 2L	ACSF18
CAP-3/ 3L	ACSF24/30

