

● Also refer to the installation manuals attached to the indoor unit, Adaptor plate and Installation box.

### Read these "SAFETY PRECAUTIONS" carefully before performing installation work.

● The precautions shown here are classified into the following two types. Observe all of the following, as each contains important information regarding safety.

- Warning** Improper handling has a high probability of serious injury or death.
- Caution** Improper handling has a possibility of injury or property damage. There may be serious consequences depending on the situation.

● After completing the installation work, perform test operation to check that there are no abnormalities. Additionally, keep this manual in a handy place for future reference with installation manual and operation manual attached to indoor unit.

### Warning

Installation should be performed by a dealer or specialist. Failure to do so may result in water leaks, electric shock, fire, etc.

Follow this instruction manual to ensure installation work is performed correctly. Failure to do so may result in water leaks, electric shock, fire, etc.

Make sure to always use accessories and parts of the proper specifications when performing installation work. Failure to do so may result in water leaks, electric shock, fire, etc.

Make certain that all electrical work is carried out by qualified personnel according to the applicable legislation and this installation manual, using a separate circuit. In addition, even if the wiring is short, make sure to use a wiring that has sufficient length and never connect additional wiring to make the length sufficient. Insufficient capacity of the power supply circuit or improper electrical construction may lead to electric shocks or a fire.

Make sure that the power is disconnected before touching electrical components. There is a danger of electric shock when touching the live part.

Wiring should be securely connected using the designated wiring and securely fixed so that no external force is applied to the terminal connection. Failure to do so may result in the generation of heat, fire, etc.

Wiring should be set so that structural items such as the control box lid is not lifted, and the lid should be securely installed. Failure to do so may result in the terminal generating heat, electric shock, fire, etc.

Do not make high-voltage wiring and low-voltage wiring run in parallel. Electrical noise may cause malfunction or affect other equipment.

### Caution

Install the power supply and transmission wires for the indoor and outdoor units at least 3.5 ft. (1 m) away from televisions or radios to prevent image interference or noise. Depending on the radio waves, a distance of 3.5 ft. (1 m) may not be sufficient to eliminate the noise.

Seal both the low high voltage wiring through holes with putty, thermal insulation (field supply) or bling bush (attached to Adaptor box). Entry of small animals such as insects may cause current leakage or malfunction.

### CARRY OUT THE WORK WITH PARTICULAR ATTENTION TO THE FOLLOWING ITEMS AND AFTER THE WORK IS COMPLETED CHECK THEM AGAIN.

(1) Check item after the installation work is completed

Item	In case of defective	Check column
Are you sure that there is no incorrect or loose wiring?	Does not operate · burnout	

(2) Check item at delivery

Item	Check column
Are the control box cover, the air filter and the suction grille attached?	
Have you handed the installation manual to the customer?	

※ Make sure to recheck the items of "SAFETY PRECAUTIONS".

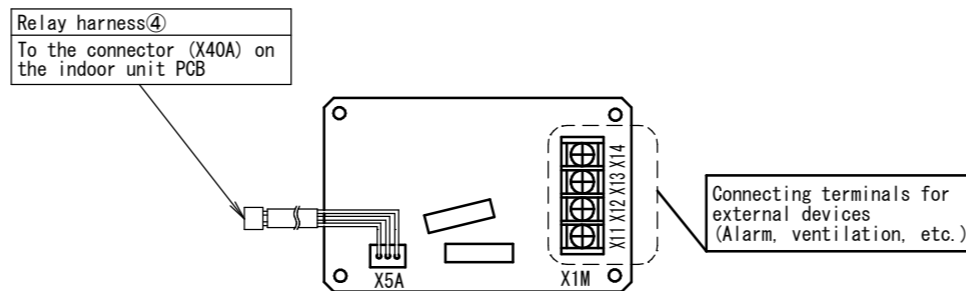
**Accessories** Check if the following accessories are included:

Name	① Adaptor	② Clamp	③ PCB Support	④ Relay harness	⑤ Wire sticker	[Others]
Shape						· Installation manual
Quantity	1 pc.	3 pcs.	4 pcs.	1 pc.	2 pcs.	

Use ② and ⑤ as needed.

## 1 Names of parts and functions

- Wire the Adaptor to the indoor unit as shown below.
- The indoor unit outputs an ON signal when it detects refrigerant leak.
- When the ON signal is output, the external device such as ventilation and alarm display starts and continues to operate.



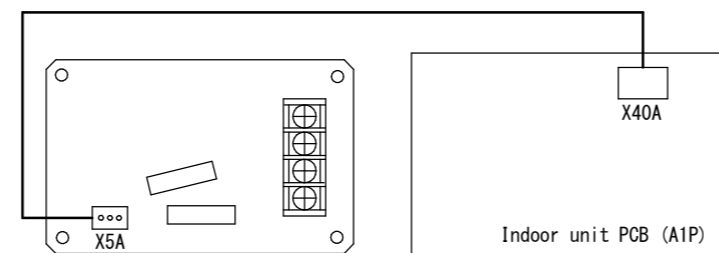
## 2 Electric wiring

- Be sure to carry out electric wiring referring to the wiring diagram label attached to the control box of indoor unit. When wiring, be careful not to run the wires to the indoor unit or other devices over the indoor unit PCB.

«Caution»

- Select external devices according to local and national codes.

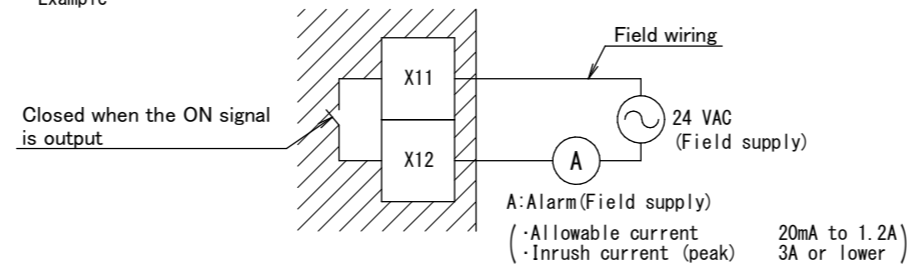
### Connection to the indoor unit



### Connection of the field supplied external device

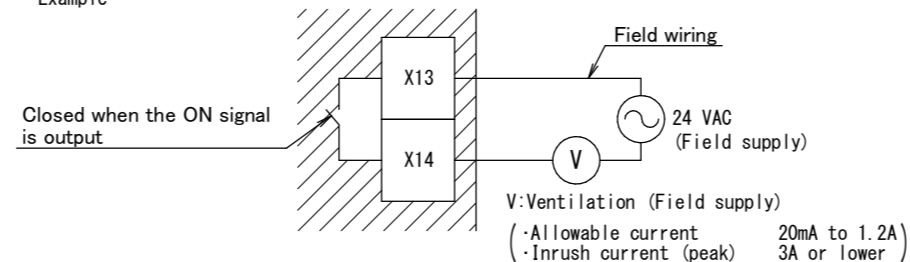
- Alarm

Example

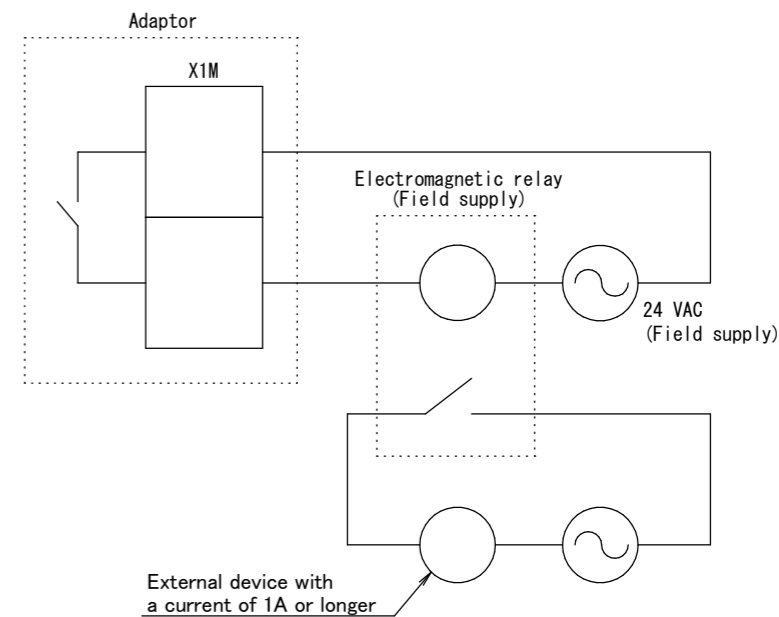


- Ventilation

Example



In case of external devices with a current of 1A or larger, it is recommended that they are connected as follows.



«Caution on wiring»

- Use a proper screw driver for tightening the terminal screws. If an improper screw driver is used, it may damage the screw head and a proper tightening cannot be carried out.
- If a terminal is over tightened, it may be damaged. The tightening torque of terminal screws is 0.45~0.59 lbf · ft (0.6~0.8 N · m).

## 3 Installation

- Scan to download the complete installation manual with instructions on mounting on each indoor unit. (A compatible device is required)



Or, visit <https://airintelligence.com/go/brp9a7x>

- If the Adaptor plate or Installation box is required for mounting, see the installation manual attached to it.

## 4 Test operation

- Make sure that the control box cover is securely closed.
- Carry out a test operation according to the installation manual attached to the indoor unit and make sure that the indoor unit operates properly.
- If an error occurs, the remote controller displays the error code. Refer to the installation manuals attached to the indoor and outdoor units for information about the code.
- After completion of the test operation, be sure to check the items listed in "Check item".

- Refer to the installation manuals attached to the indoor unit, Adaptor plate or Installation box as well.
- Refer to the installation manual attached to the Adaptor for electric wiring.

《Round Flow Sensing Cassette with Self-cleaning Filter Panel》

Precaution

- When installing the Group control adaptor KRP4A in the Adaptor box along with this adaptor, mount it on the box side as shown in Figure 5.

- Preparations before installing the Panel  
Refer to the installation manuals [1][2] ①Preparations before installing the Panel attached to the Adaptor box.
- Install the panel  
Refer to the installation manual [2] ②Installing the Panel attached to the Adaptor box.
- Procedure for mounting the Adaptor

- (1) Connect the Relay harness④ and field wires to the Adaptor①.

〔Caution for field wiring〕  
Use strand wires by twisting and do not solder them.  
(Otherwise, it causes abnormal heat by loose wires.)

- (2) Mount the Adaptor① on the Adaptor box cover with the PCB supports③. (Figure 1)
- (3) Handle the grounding wire attached to the Adaptor box, the Relay harness④ and field wires as shown in Figure 2. Connect the grounding wire with the grounding screw (attached to the Adaptor box) (Figure 3)
- Subsequent work would be easier if an identification marking is put on each wire.
- Make sure that a ground fault circuit breaker is installed in field supplied external devices (Ventilation, alarm).
- (4) Fix the wires connected in (3) with the Clamps② to the Adaptor box cover tightly.
- Handle the wires so as not to pass on the Adaptor①.
- Fix tightly as the fixing part of Clamp② comes to the position shown in Figure 3.

〔Cut an extra of the Clamp② at the root.〕

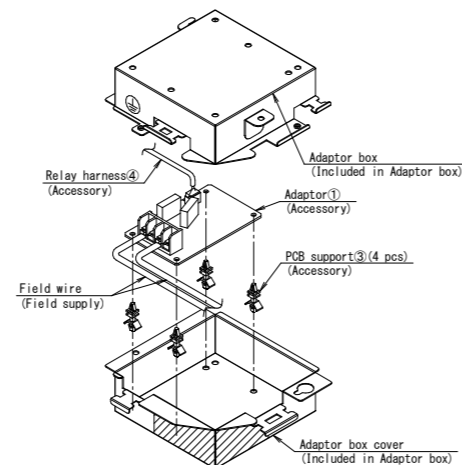


Figure 1

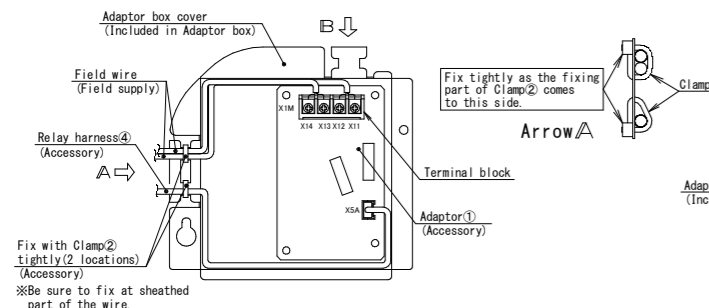


Figure 2

- (5) Whether or not there are wires, attach sealing material where shown in Arrow A to E to plug a gap of the through hole of the Adaptor box and the cover according to the figure below.  
●Be sure to plug a gap of the through hole with sealing material. Otherwise, it may cause a malfunction of the Adaptor.

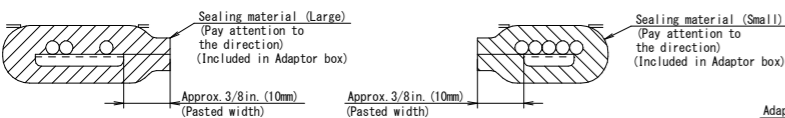


Figure 4

《In case of installing the Group control adaptor together》

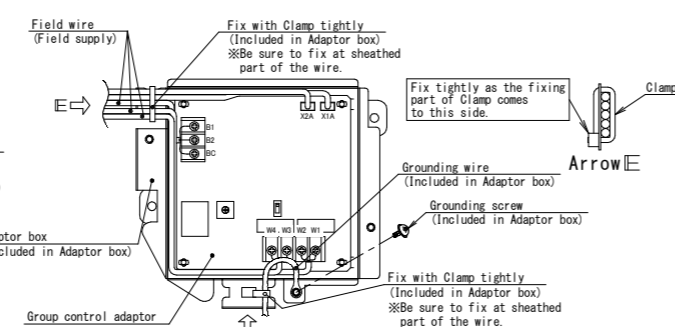


Figure 5

- Attach to the panel  
Refer to the installation manual [2] ④Attaching to the panel attached to the Adaptor box.

- Method for handling wires  
●Refer to the installation manual [2] ⑤Method for handling wires attached to the Adaptor box.  
●Refer to Figure 6 for connection of Relay harness④ and the indoor unit.

- Attach the Air filter and Dust box  
●Refer to the installation manual [2] ⑥Attaching the Air Filter and Dust box attached to the Adaptor box.

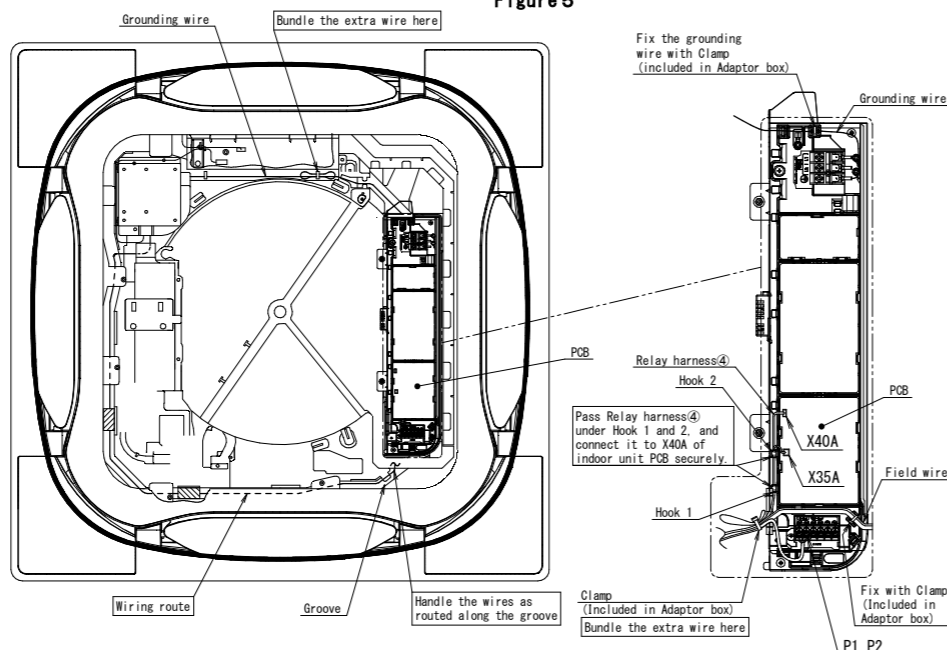


Figure 6

《Round Flow Sensing Cassette with Standard Panel》

Precaution

- When installing the Group control adaptor KRP4A in the Adaptor box along with this adaptor, mount it on the cover side as shown in Figure 3.

- Mount the Adaptor box  
Refer to the installation manual ①Mounting the adaptor box attached to the Adaptor box.
- Install the Adaptor

〔Caution for field wiring〕  
Use strand wires by twisting and do not solder them.  
(Otherwise, it causes abnormal heat by loose wires.)

- (1) Connect the Relay harness④ and field wires to the Adaptor①.
- (2) Mount the Adaptor① on the Adaptor box with the PCB supports③ attached to this Adaptor. (Figure 1)
- (3) Handle the grounding wire attached to the Adaptor box, the Relay harness④ and the field wires as shown in Figure 2. Connect the grounding wire with the grounding screw (attached to the Adaptor box). (Figure 2)
- Make sure that a ground fault circuit breaker is installed for field supplied external devices (Ventilation, alarm).
- (4) Fix the wires connected in (3) with the Clamps② to the Adaptor box cover tightly.
- Handle the wires so as not to pass on the Adaptor
- Cut an extra of the Clamp② at the root.
- Subsequent work would be easier if an identification marking is put on each wire.

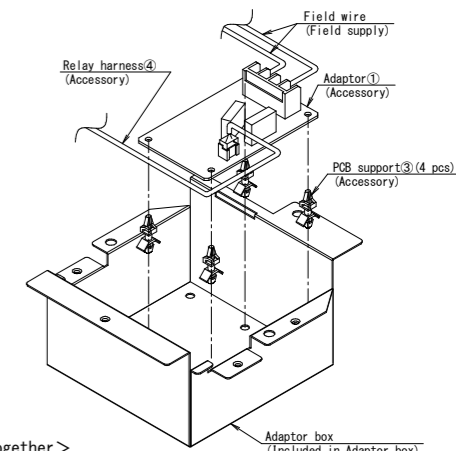


Figure 1

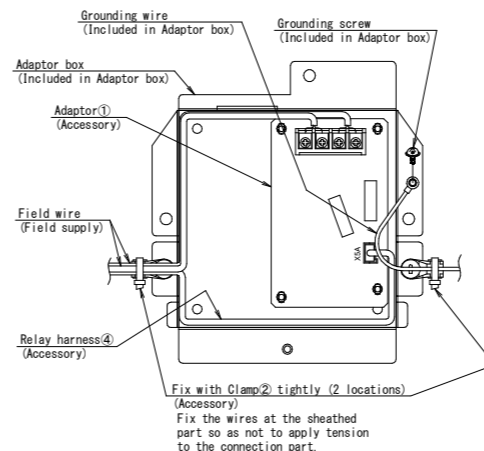


Figure 2

《In case of installing the Group control adaptor together》

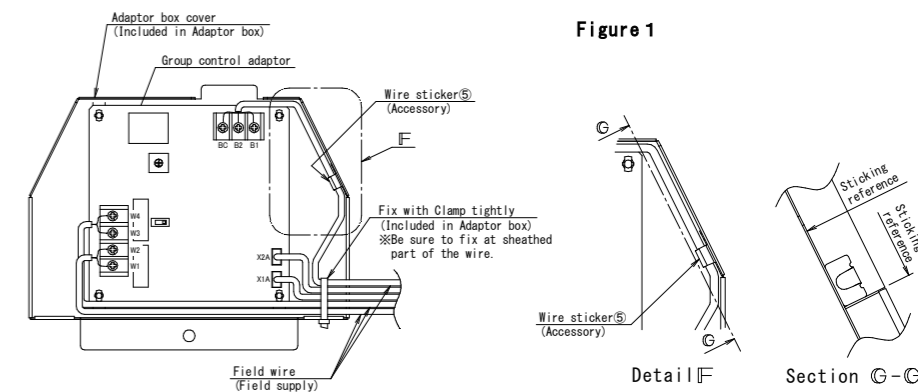


Figure 3

- (5) After putting the tab of Adaptor box cover into the hole of Adaptor box, fix with the Fixing screw (2) (Figure 4)
- Be careful not to get the wires stuck.

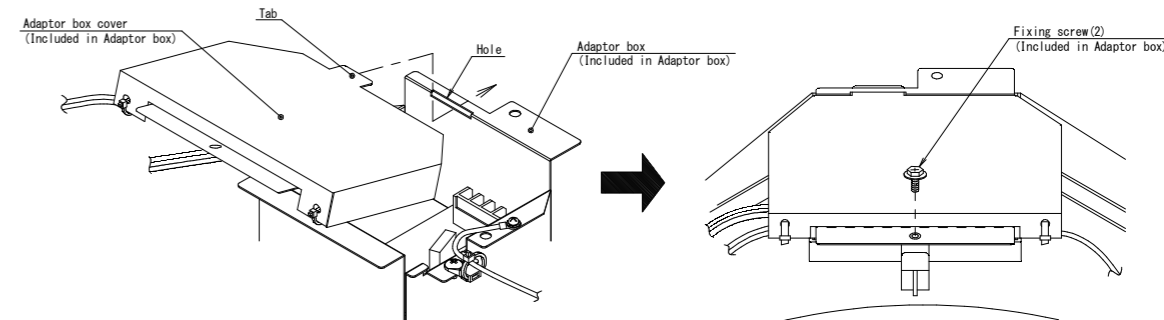


Figure 4

- Method for handling wires
- (1) Connect the wires from the Adaptor box to the indoor unit PCB and the external devices (Ventilation, Alarm). (Figure 5)  
Also, refer to the installation manual attached to the indoor unit for wiring work.
  - (2) Fix the connected wires with Clamps. (Figure 5)  
After fixing them, cut an extra of the Clamp at the root.
  - (3) Put the control box cover back by the opposite procedure for removal.  
●Refer to Figure 1 of ①Mounting the adaptor box in the installation manual attached to the adaptor box.  
Tighten the screws with a torque of 0.8±0.15 lb·ft (1.1±0.2 N·m).  
●Be careful not to get the wires stuck.

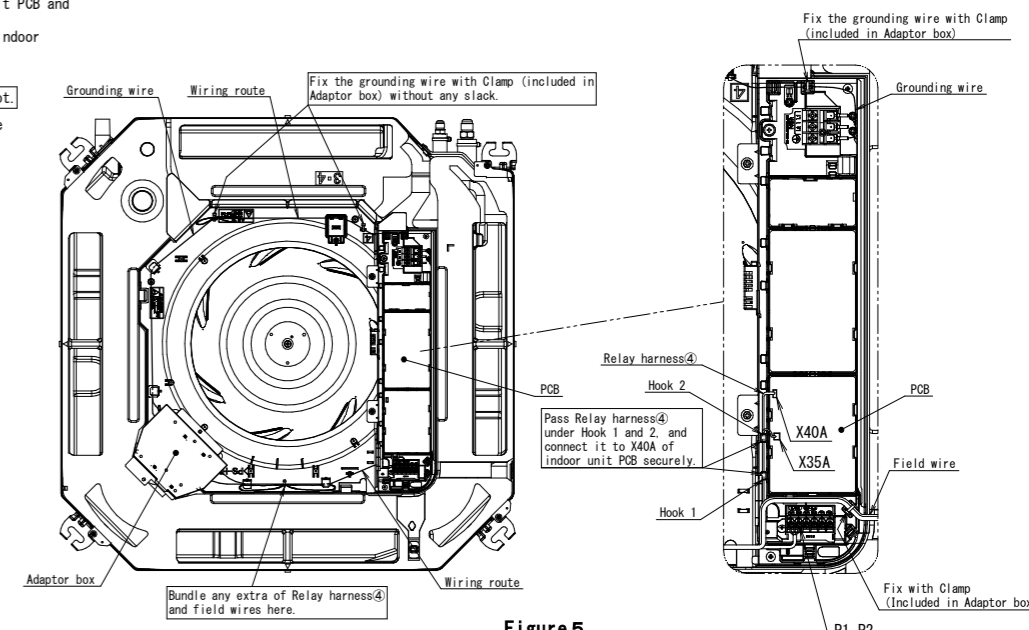


Figure 5

- Refer to the installation manuals attached to the indoor unit, Adaptor plate or Installation box as well.
- Refer to the installation manual attached to the Adaptor for electric wiring.

《MSP/HSP Concealed Ducted unit》

Precaution

- When installing the Group control adaptor KRP4A to the Adaptor plate along with the Adaptor, mount it on the right side as shown in Figure 3.

1. Mount the Adaptor plate  
Refer to **① Mounting the adaptor plate** in the installation manual attached to the Adaptor plate.
2. Install field wires  
Refer to **② How to mount the adaptor printed circuit board and handle the wiring** in the installation manual attached to the Adaptor plate.
3. Install the Adaptor  
(1) Connect the Relay harness④ and field wires to the Adaptor①.

《Caution for field wiring》

Use strand wires by twisting and do not solder them.  
(Otherwise, it causes abnormal heat by loose wires.)

- (2) Mount the Adaptor① on the Adaptor plate with the PCB supports③. (Figure 1)

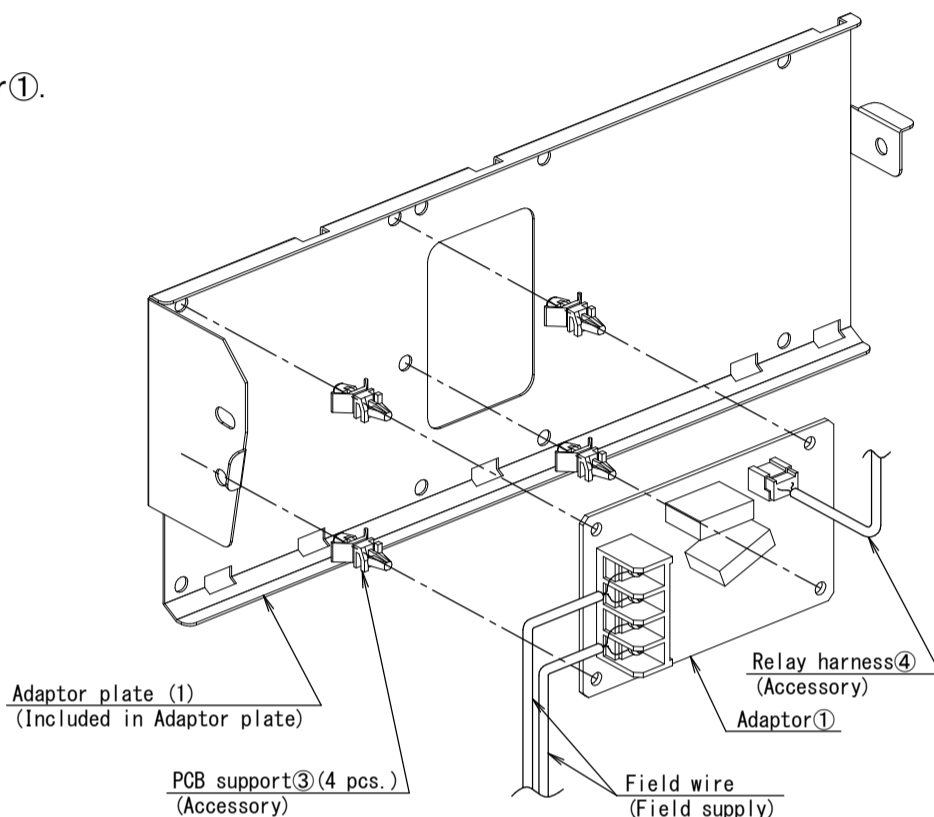


Figure 1

4. Wiring procedure
  - (1) Connect the Relay harness④ to the indoor unit. (Figure 2)
  - (2) Connect the field wires to the external devices.
  - (3) Fix the connected wires with the Clamp②. (Figure 2)  
Cut an extra of the Clamp② at the root.
  - (4) Handle the wires according to **② How to mount the adaptor printed circuit board and handle the wiring** «How to handle the wiring» in the installation manual attached to the Adaptor plate.

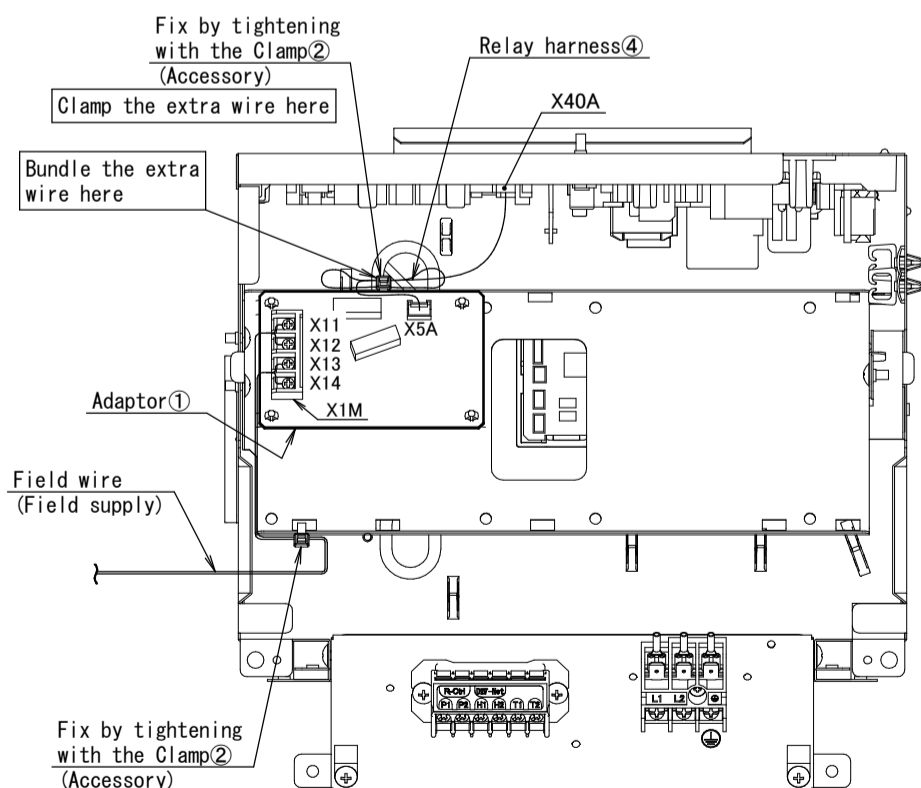


Figure 2

<In case of mounting Group control adaptor together>

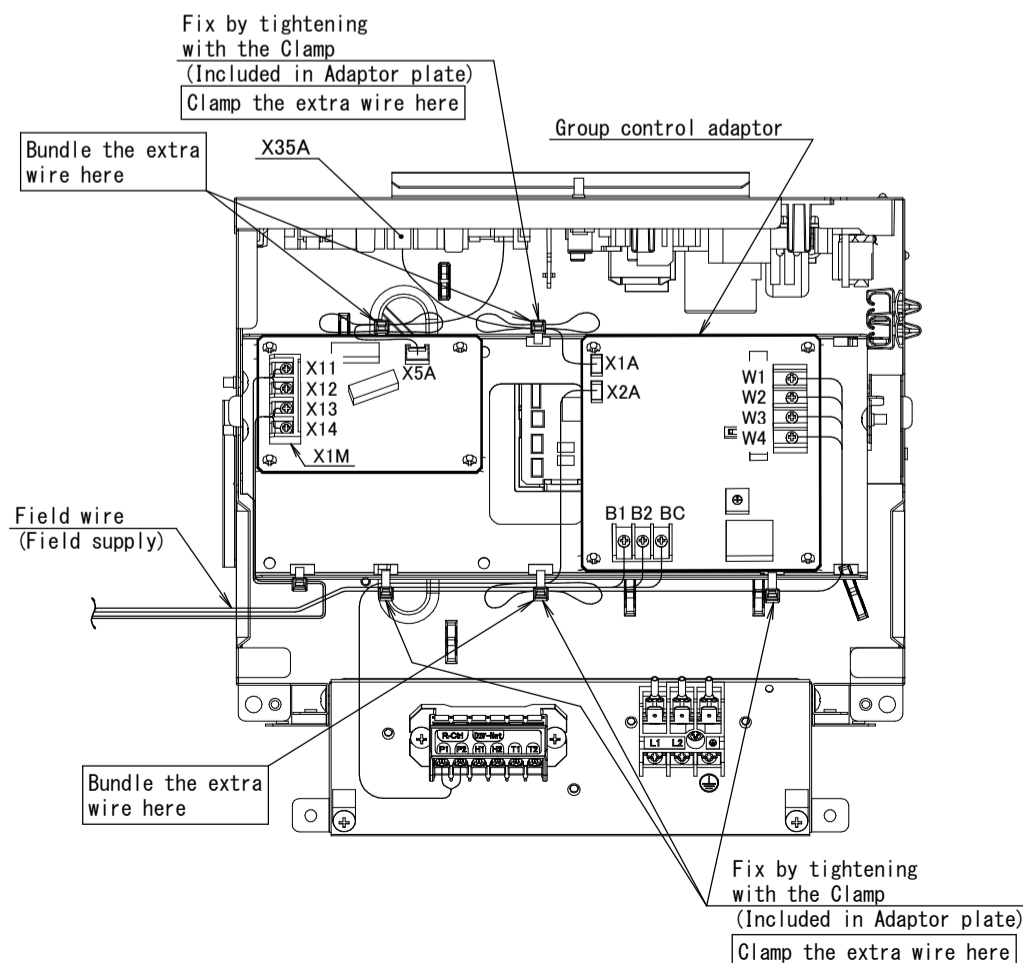


Figure 3

- Refer to the installation manuals attached to the indoor unit, Adaptor plate or Installation box as well.
- Refer to the installation manual attached to the Adaptor for electric wiring.

《Wall Mounted Unit》

1. Select a mounting location  
Refer to the installation manual **① Selection of mounting location** attached to the Installation box.

2. Mount the Installation box  
Refer to the installation manual **② Mounting the box** attached to the Installation box.

3. Install the Adaptor  
(1) Connect the Relay harness④ and field wires to the Adaptor①.

《Caution for field wiring》  
Use strand wires by twisting and do not solder them.  
(Otherwise, it causes abnormal heat by loose wires.)

(2) Mount the Adaptor① on the Installation box with the PCB supports③ attached to this Adaptor. (Figure 1)

● Make sure that a ground fault circuit breaker is installed for field supplied external devices (Ventilation, alarm).

(3) Stick the Wire sticker⑤ on the Installation box. Pass the wires through the knockout hole and fix them with the Clamps②. (Figure 2)

After fixing them, cut an extra of the Clamp② at the root.

(4) Referring to the installation manual **③ Mounting the adaptor** attached to the Installation box, protect the wires and fix the door.

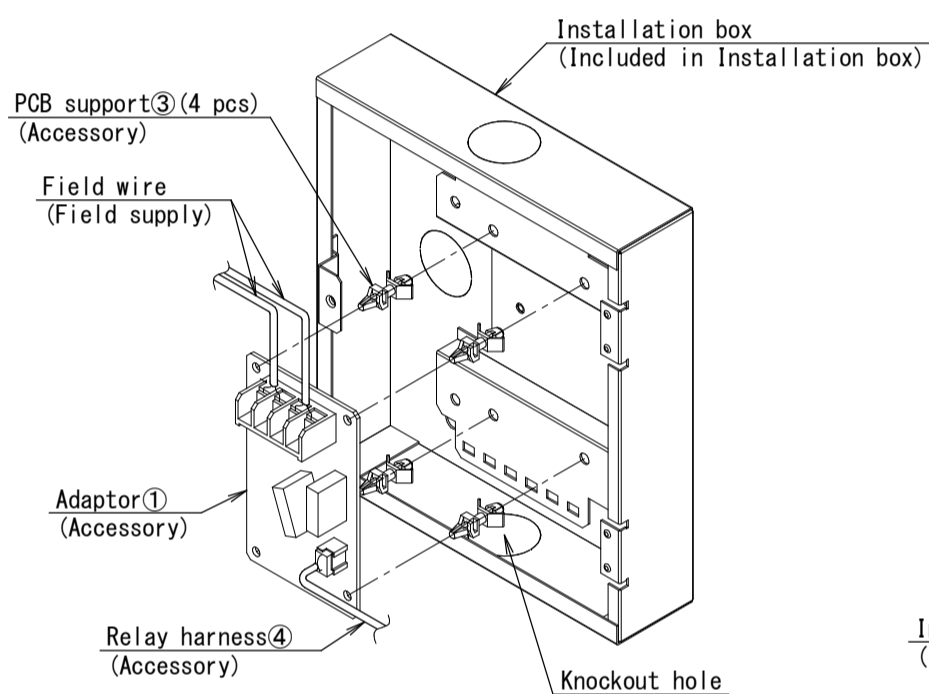


Figure 1

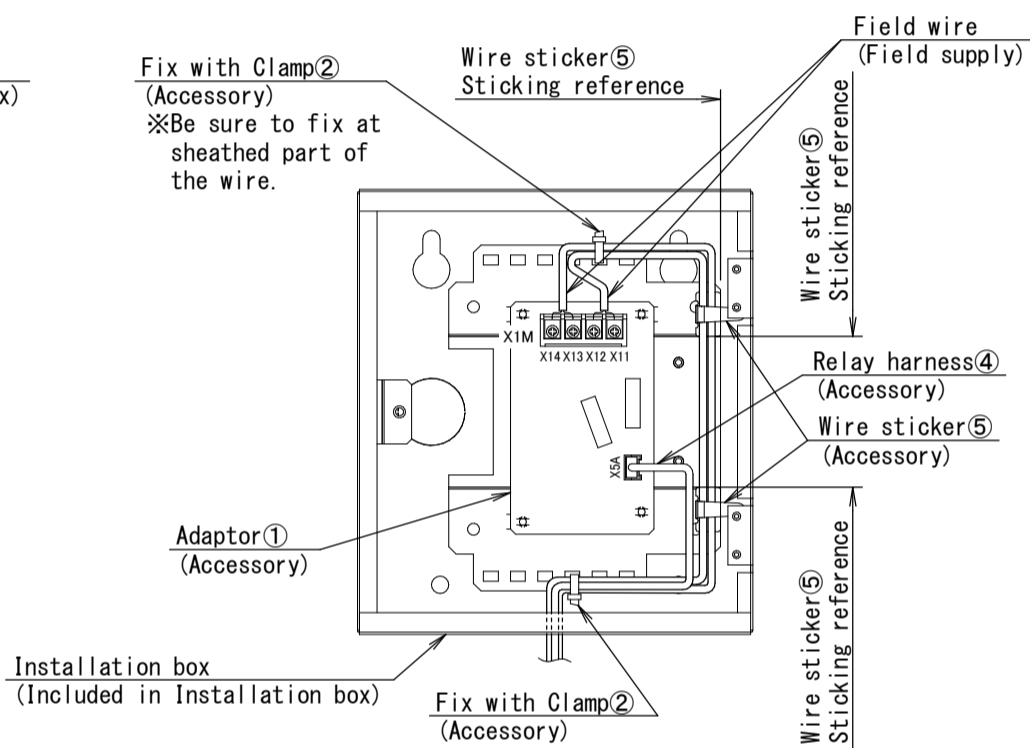


Figure 2

4. Method for handling wires

(1) Referring to the installation manual "5-2. REMOVING AND INSTALLING FRONT GRILLE" attached to the indoor unit, remove the front grille.

(2) Remove the screw and the control box cover. (Figure 3)

(3) Connect the Relay harness④ to X40A of the indoor unit PCB. (Figure 4)

(4) Fix the connected harness with the Clamp② along with the field remote controller wire.

After fixing them, cut an extra of the Clamp② at the root.

(5) Attach the control box cover and the front grille in reverse order of (1) and (2).

(6) Connect the field wires to the external devices (Ventilation, alarm).

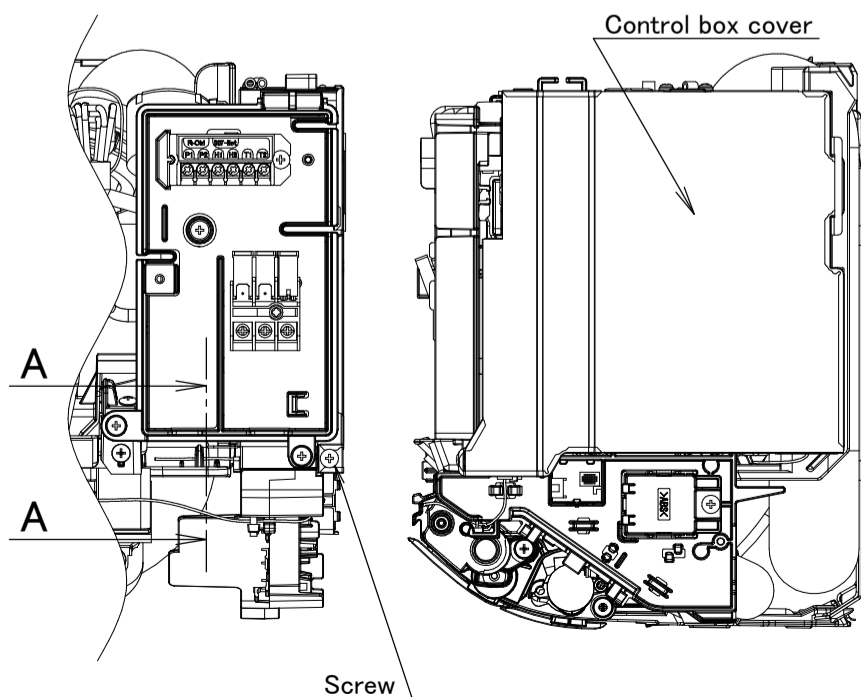


Figure 3

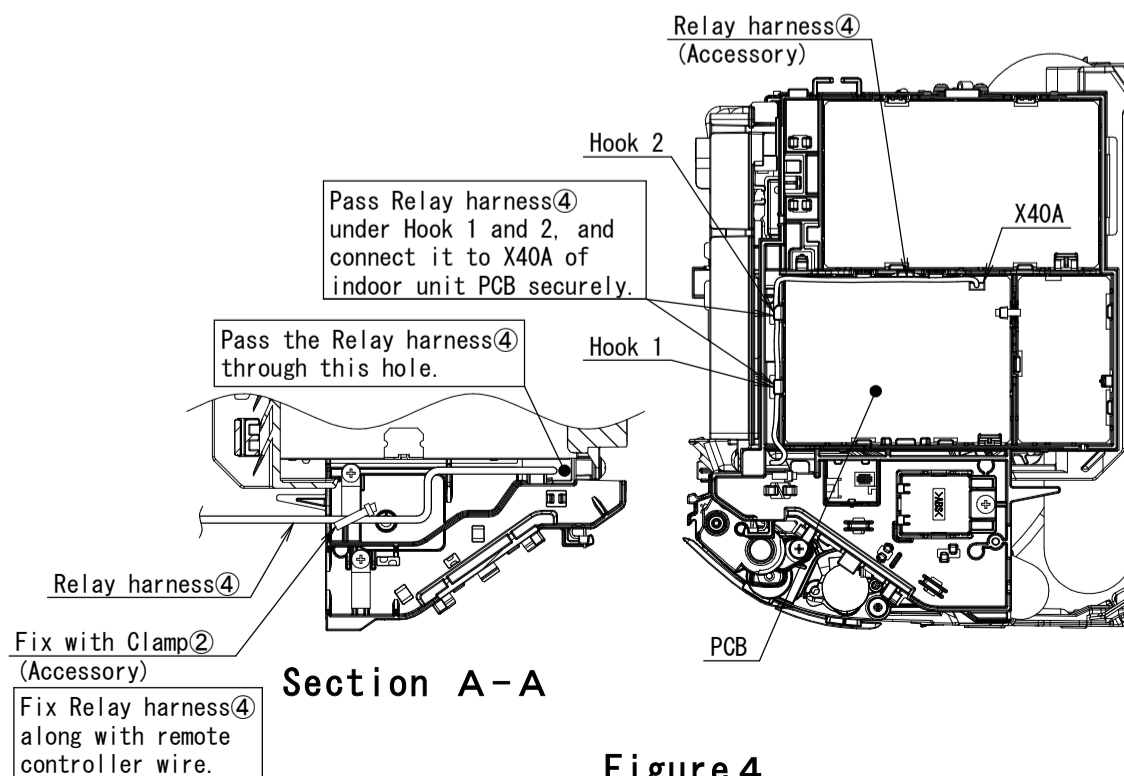


Figure 4

- Refer to the installation manuals attached to the indoor unit, Adaptor plate or Installation box as well.
- Refer to the installation manual attached to the Adaptor for electric wiring.

《2x2 Cassette》

1. Install the Adaptor

(1) Connect the Relay harness④ and field wires to the Adaptor①.

《Caution for field wiring》  
Use strand wires by twisting and do not solder them.  
(Otherwise, it causes abnormal heat by loose wires.)

(2) Remove the Aluminum tapes "C" on the Installation box (attached to the Installation box). (Figure 1)

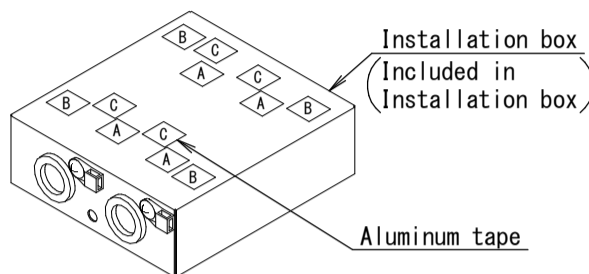


Figure 1

(3) Mount the Adaptor① on the Installation box with the PCB supports③ attached to this Adaptor. (Figure 2)

At that time, stick the Wire stickers⑤ on the Installation box. (Figure 3)

●Make sure that a ground fault circuit breaker is installed for field supplied external devices (Ventilation, Alarm).

(4) Make a cross cut in the Wiring outlet with cutter. Fix Relay harness④ with Wire stickers⑤ and pass it through the hole along with Field wire. Then, fix them with the Clamp②. (Figure 3)

After fixing them, cut an extra of the Clamp② at the root.

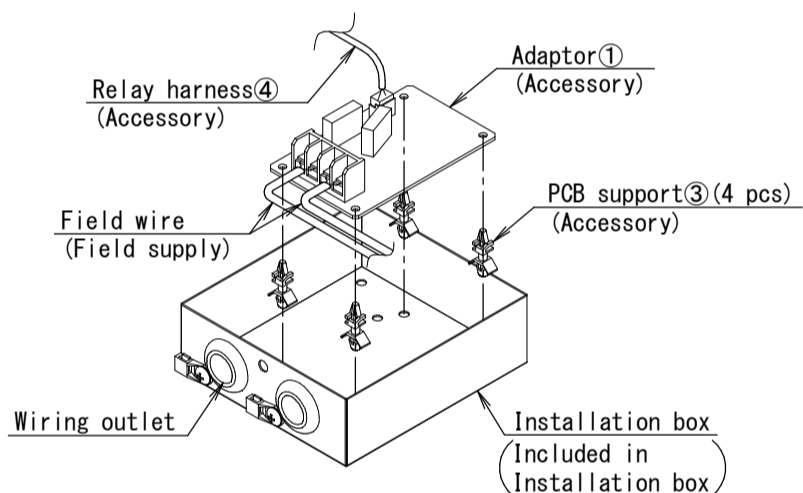


Figure 2

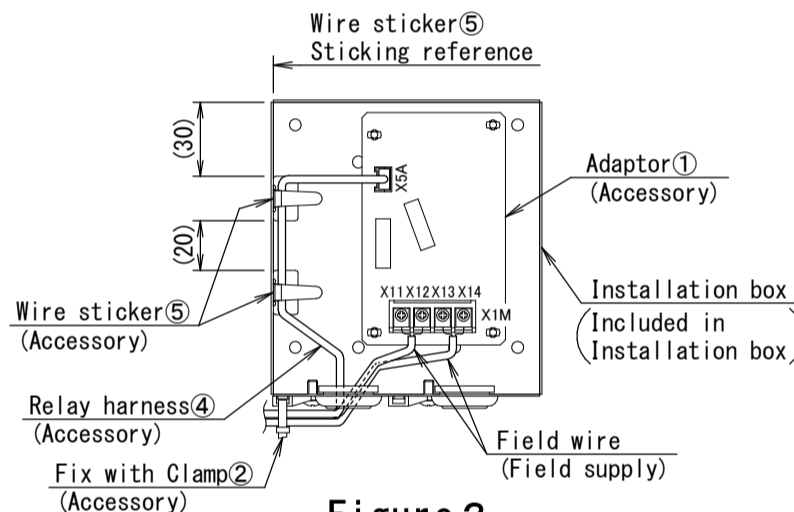


Figure 3

2. Attach the Installation box lid

Refer to ①Method of attaching the adaptor "2. Attach the lid of Installation box" in the Installation manual attached to the Installation box.

3. Attach the Installation box

Refer to ①Method of attaching the adaptor "3. Attach the installation box" in the Installation manual attached to the Installation box.

4. Method for handling wires

(1) Connect the Relay harness④ to X40A of the indoor unit PCB and fix the connected harness with the Clamp②. (Figure 4)

After fixing it, cut an extra of the Clamp② at the root.

(2) Refer to ②Method of wiring processing in the Installation manual attached to the Installation box.

(3) Connect the field wires to the external devices (Ventilation, Alarm).

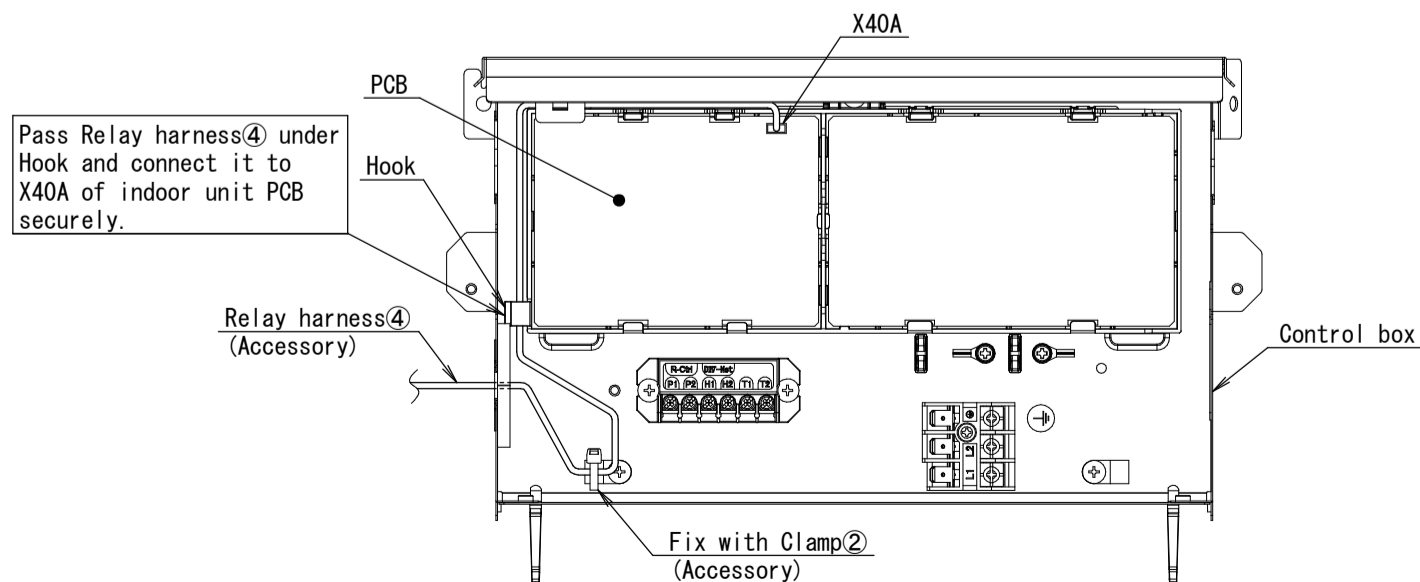


Figure 4