

## WALL-MOUNT AIR HANDLER 1½ TO 3 TONS



### Contents

Nomenclature .....	2
Accessories .....	2
Product Specifications .....	3
Dimensions .....	5
Airflow Data .....	7
Wiring Diagram .....	8

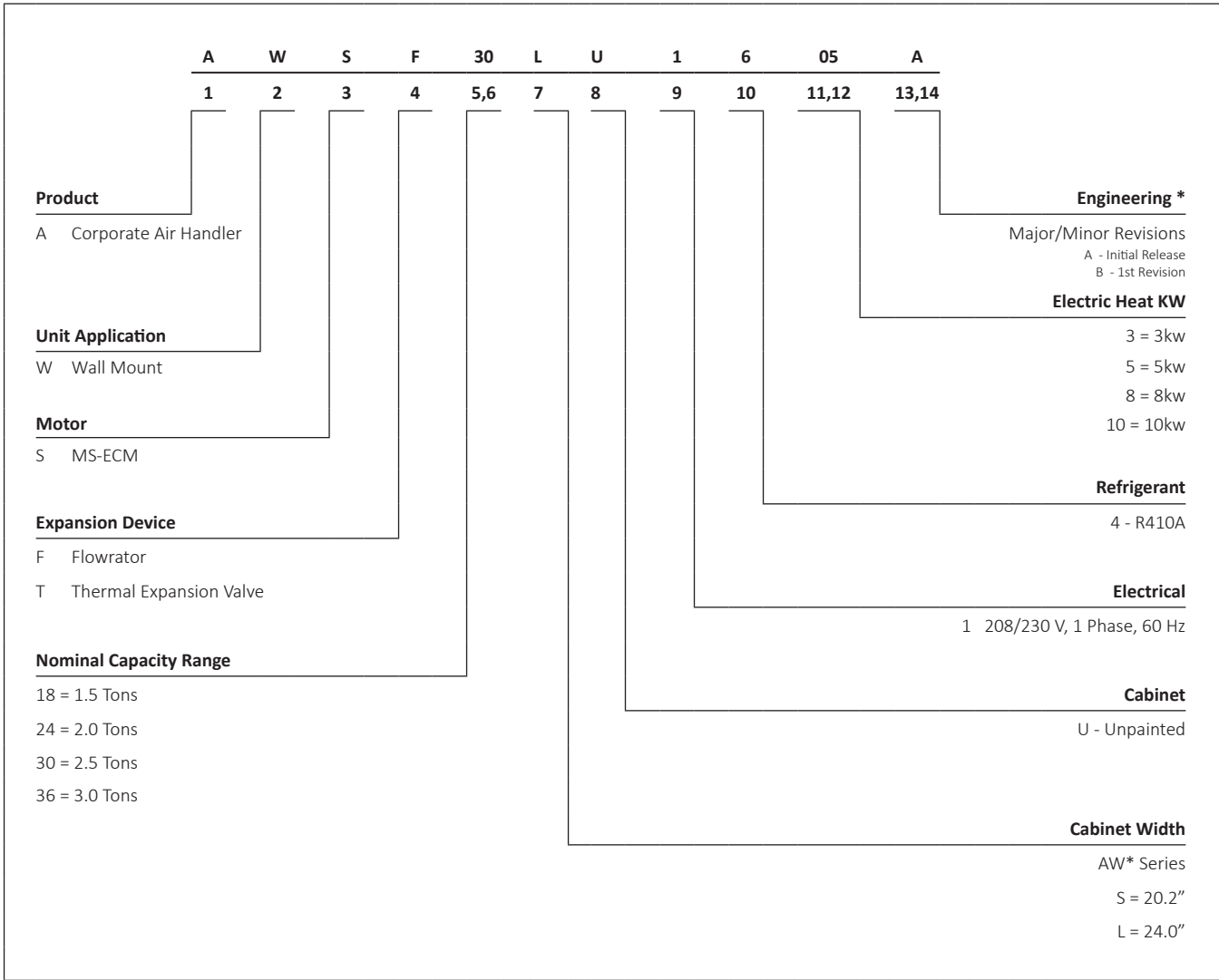
### Product Features

- AWSF Models: Equipped with a Check Flowrator
- Direct-drive, multi-speed motors allows air volume variation for heating/cooling
- Sequence-controlled, rust-resistant nickel chromium heating elements of 5, 8, and 10 kW
- Aluminum tubing coils on all models
- Cabinet air leakage less than 2.0% at 1.0 inch H<sub>2</sub>O when tested in accordance with ASHRAE standard 193
- Cabinet air leakage less than 1.4% at 0.5 inch H<sub>2</sub>O when tested in accordance with ASHRAE standard 193
- Factory-installed pull-type disconnect
- Thermoplastic drain pan with bottom primary and secondary drain connections
- Built-in filter rack (filter included)
- Large chassis (2½- and 3-ton units) – front return only
- Small chassis (1½- and 2-ton units) – front or bottom return
- Wall-hanging bracket provided
- AHRI Certified; ETL Listed



\* Complete warranty details available from your local dealer or at [www.daikincomfort.com](http://www.daikincomfort.com). To receive the 12-Year Parts Limited Warranty, online registration must be completed within 60 days of installation. Additional requirements for annual maintenance are required for the Unit Replacement Limited Warranty. Online registration and some of the additional requirements are not required in California or Quebec. The duration of warranty coverages in Texas differs in some cases.

**NOMENCLATURE**



**ACCESSORIES**

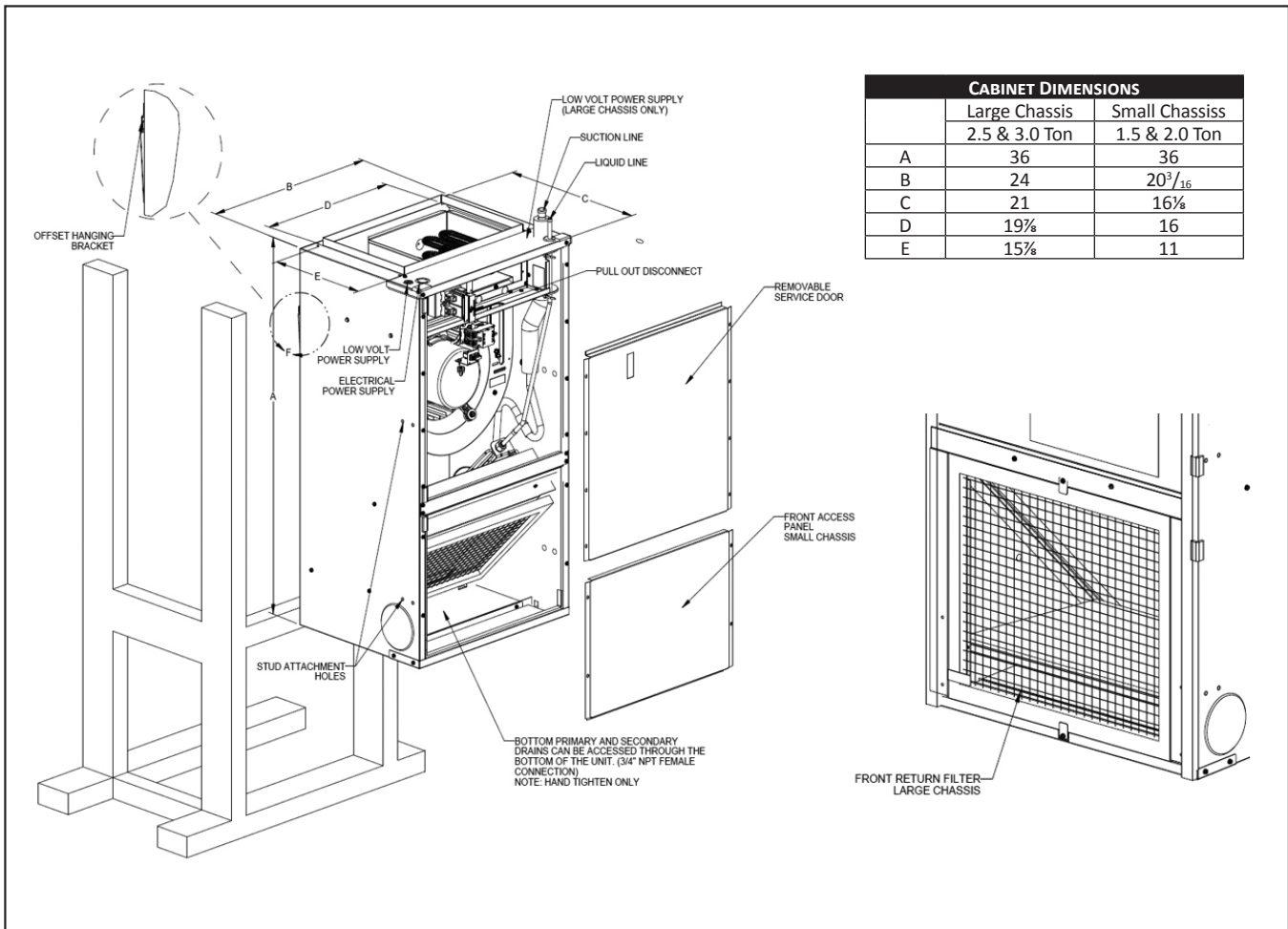
MODEL	ITEM #	DESCRIPTION
AWSF18-AWSF24	Wad-1	Wall access door
AWSF30-AWSF36	Wad-2	Wall access door

	AWSF18 SU1605 AA	AWSF18 SU1608 AA	AWSF24 SU1605 AA	AWSF24 SU1608 AA	AWSF24 SU1610 AA	AWSF30 LU1605 AA
<b>NOMINAL RATINGS</b>						
Cooling (BTU/h)	18000	18000	24000	24000	24000	30000
Electric Heat (kW)	5	8	5	8	10	5
<b>BLOWER</b>						
Diameter	10	10	10	10	10	10
Width	6	6	6	6	6	8
<b>COIL CONNECTIONS</b>						
Liquid	3/8"	3/8"	3/8"	3/8"	3/8"	3/8"
Suction	5/8"	5/8"	5/8"	5/8"	5/8"	3/4"
Coil Drain Connection (FPT)	3/4"	3/4"	3/4"	3/4"	3/4"	3/4"
<b>ELECTRICAL DATA</b>						
Voltage	208/230	208/230	208/230	208/230	208/230	208/230
Minimum Circuit Ampacity	24.9/28	36/41.3	24.9/28	36/41.3	46.6/53	26/29.8
Max. Overcurrent Device (Amps)	25/30	40/45	25/30	40/45	50/60	30/30
Minimum VAC	197	197	197	197	197	197
Maximum VAC	253	253	253	253	253	253
<b>BLOWER MOTOR</b>						
Full Load Amps (FLA)	2.6	2.6	2.6	2.6	2.6	3.8
Horsepower (HP)	1/3	1/3	1/3	1/3	1/3	1/2
<b>SHIP WEIGHT (LBS)</b>	84	84	84	84	84	109

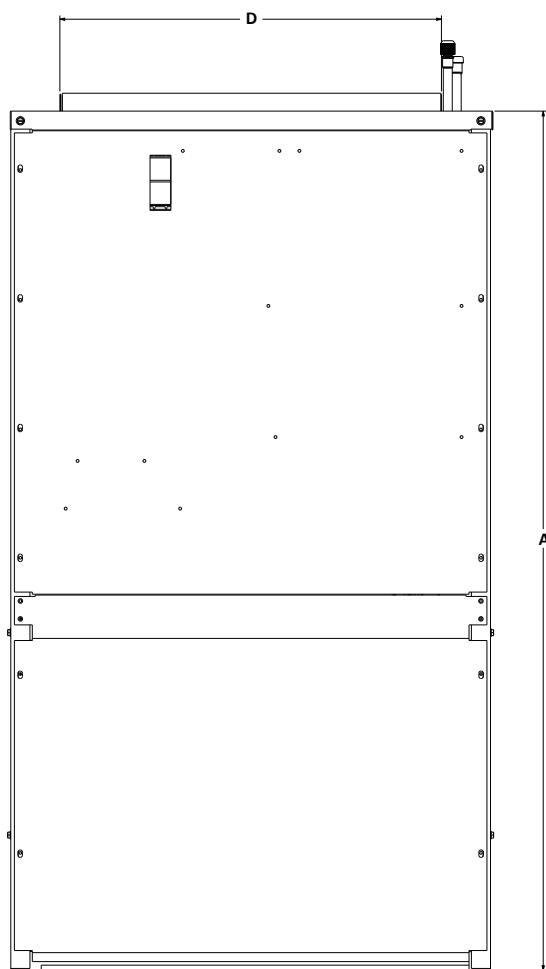
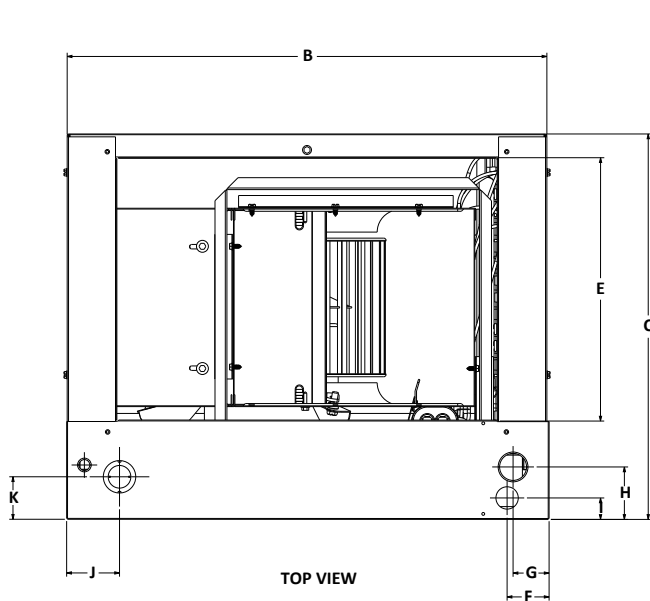
PRODUCT SPECIFICATIONS (CONTD.)

	AWSF30 LU1608 AA	AWSF30 LU1610 AA	AWSF36 LU1605 AA	AWSF36 LU1608 AA	AWSF36 LU1610 AA
<b>NOMINAL RATINGS</b>					
Cooling (BTU/h)	30000	30000	36000	36000	36000
Electric Heat (kW)	8	10	5	8	10
<b>BLOWER</b>					
Diameter	10	10	10	10	10
Width	8	8	8	8	8
<b>COIL CONNECTIONS</b>					
Liquid	3/8"	3/8"	3/8"	3/8"	3/8"
Suction	3/4"	3/4"	3/4"	3/4"	3/4"
Coil Drain Connection (FPT)	3/4"	3/4"	3/4"	3/4"	3/4"
<b>ELECTRICAL DATA</b>					
Voltage	208/230	208/230	208/230	208/230	208/230
Minimum Circuit Ampacity	37.7/43	48/54.8	26/29.8	37.7/43	48/54.8
Max. Overcurrent Device (Amps)	40/45	50/60	30/30	40/45	50/60
Minimum VAC	197	197	197	197	197
Maximum VAC	253	253	253	253	253
<b>BLOWER MOTOR</b>					
Full Load Amps (FLA)	3.8	3.8	3.8	3.8	3.8
Horsepower (HP)	1/2	1/2	1/2	1/2	1/2
<b>SHIP WEIGHT (LBS)</b>	109	109	109	109	109

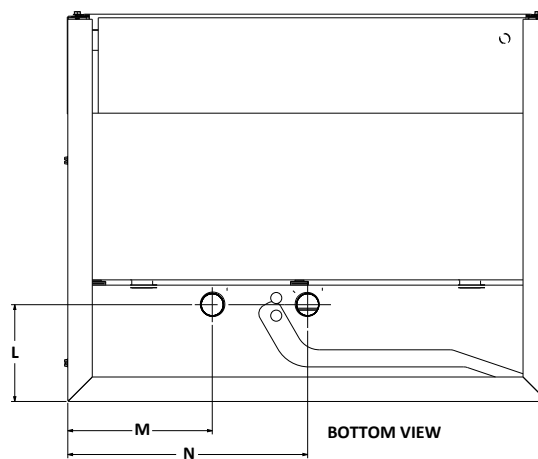
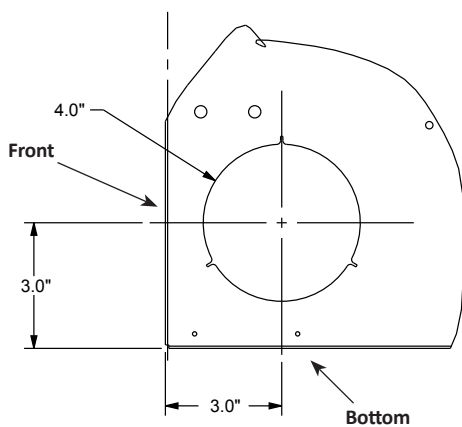
**Note** - Once installed, top of unit must be level or slightly tilted back to ensure proper condensate drainage.



DIMENSIONS (CONTD.)



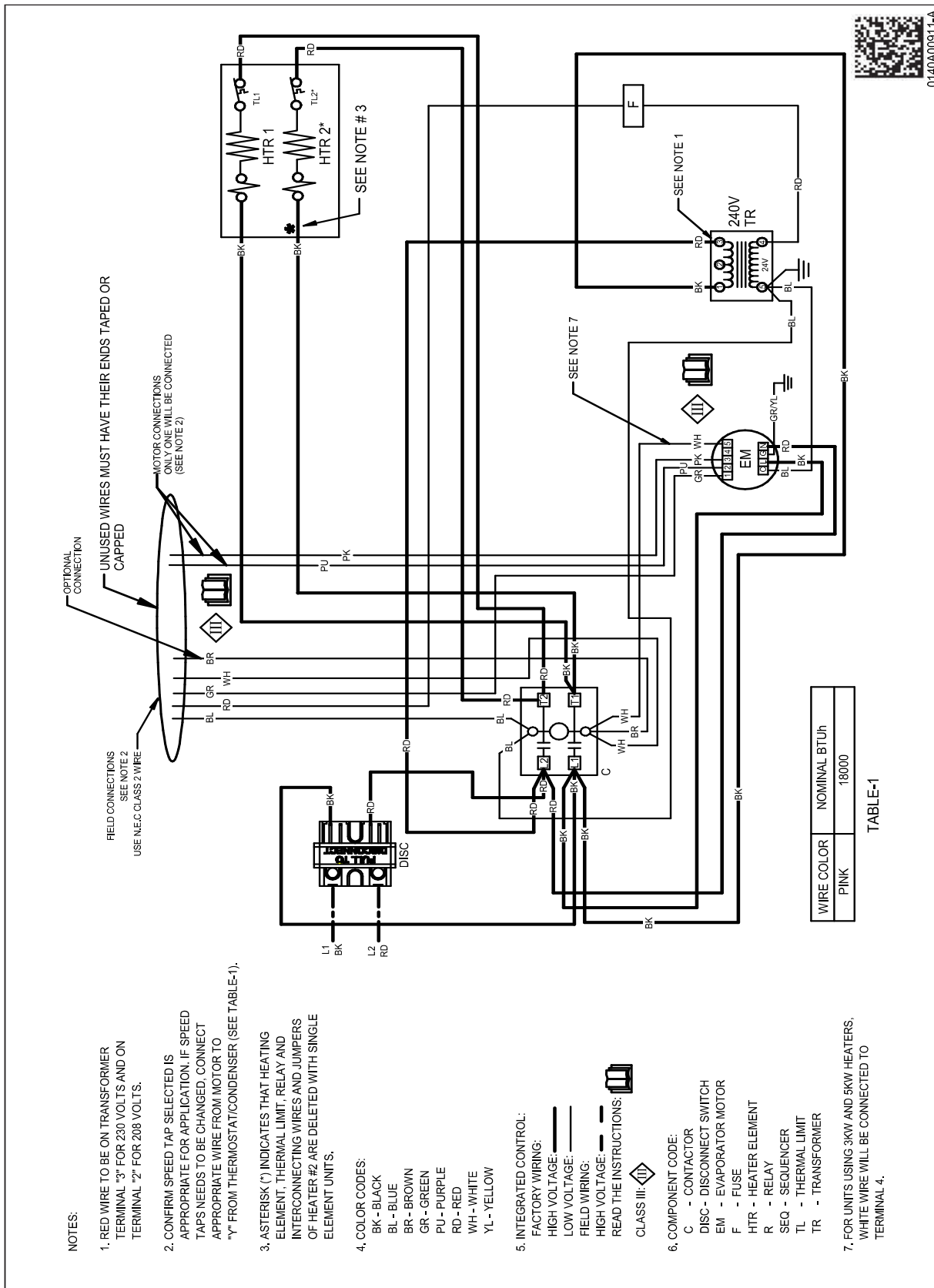
FRESH AIR OPENINGS



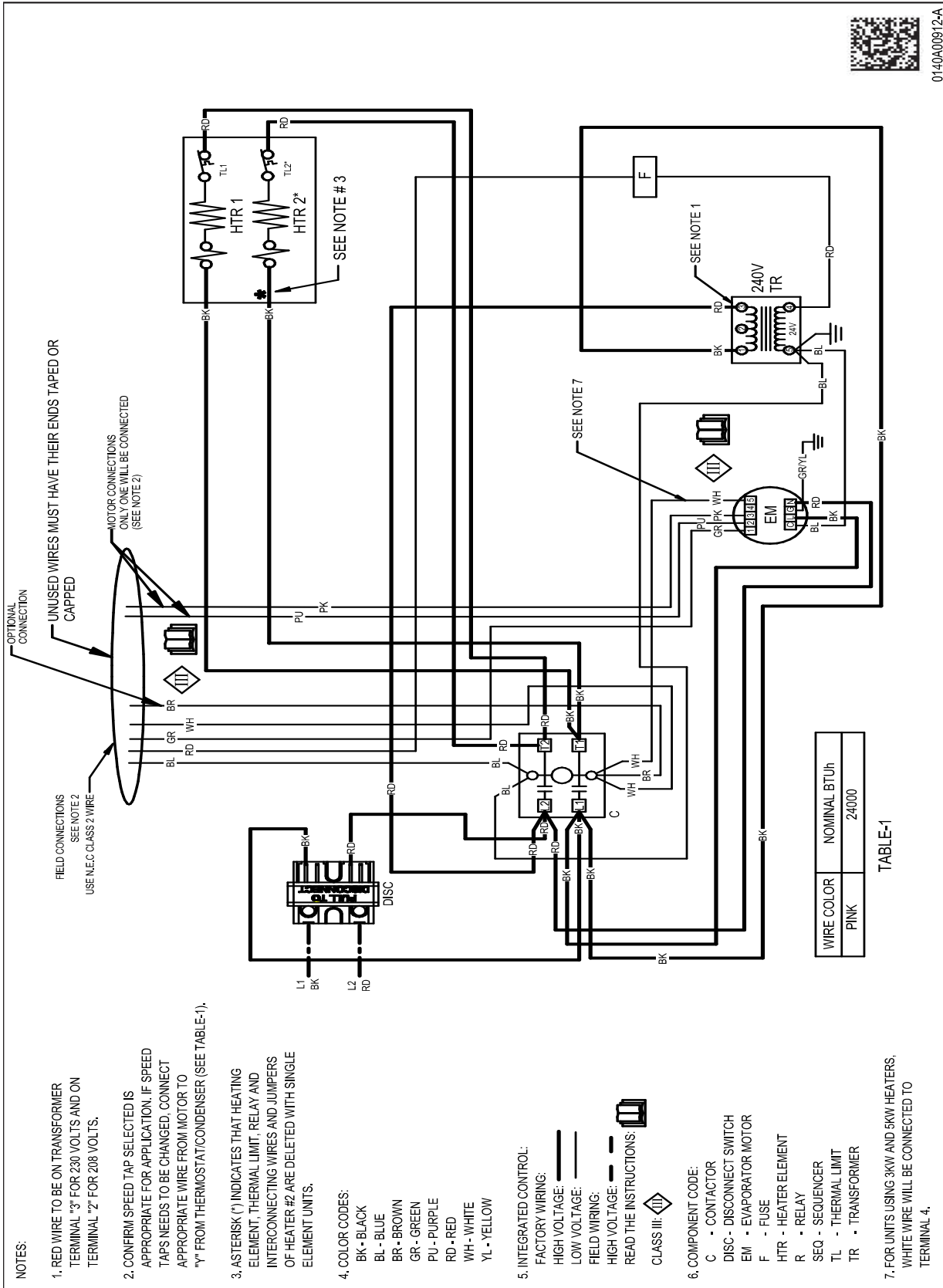
	A	B	C	D	E	F	G	H	I	J	K	L	M	N
AWSF 18-24	36"	20 $\frac{1}{4}$ "	16 $\frac{1}{8}$ "	16"	11"	1 $\frac{3}{4}$ "	1 $\frac{1}{2}$ "	2 $\frac{1}{4}$ "	$\frac{7}{8}$ "	1 $\frac{1}{8}$ "	1 $\frac{3}{4}$ "	4"	6"	10"
AWSF 30-36	36"	24"	21"	19 $\frac{1}{8}$ "	16"	4 $\frac{1}{8}$ "	1 $\frac{1}{2}$ "	1 $\frac{3}{4}$ "	2"	1 $\frac{1}{4}$ "	2 $\frac{3}{8}$ "	4"	8"	12"

MODEL	SPEED TAP	CFM DELIVERED AGAINST EXTERNAL STATIC PRESSURE				
		0.1"	0.2"	0.3"	0.4"	0.5"
AWSF18SU16** AA	T1	630	602	576	550	521
	T2	630	602	576	550	521
	T3	637	609	586	557	531
	T4	630	602	576	550	521
	T5	846	824	800	777	756
AWSF24SU16** AA	T1	630	602	576	550	521
	T2	630	602	576	550	521
	T3	784	763	742	728	705
	T4	630	602	576	550	521
	T5	846	823	800	777	756
AWSF30LU16** AA	T1	683	604	525	460	369
	T2	900	856	803	734	681
	T3	1079	1025	989	949	889
	T4	944	897	848	783	733
	T5	1168	1127	1083	1050	1005
AWSF36LU16** AA	T1	1114	1072	1031	982	924
	T2	1114	1072	1031	982	924
	T3	1225	1191	1152	1112	1071
		1287	1255	1219	1183	1146
	T5	1360	1329	1299	1264	1230

Note: Airflow data indicated is at 230 V with no filter in place.



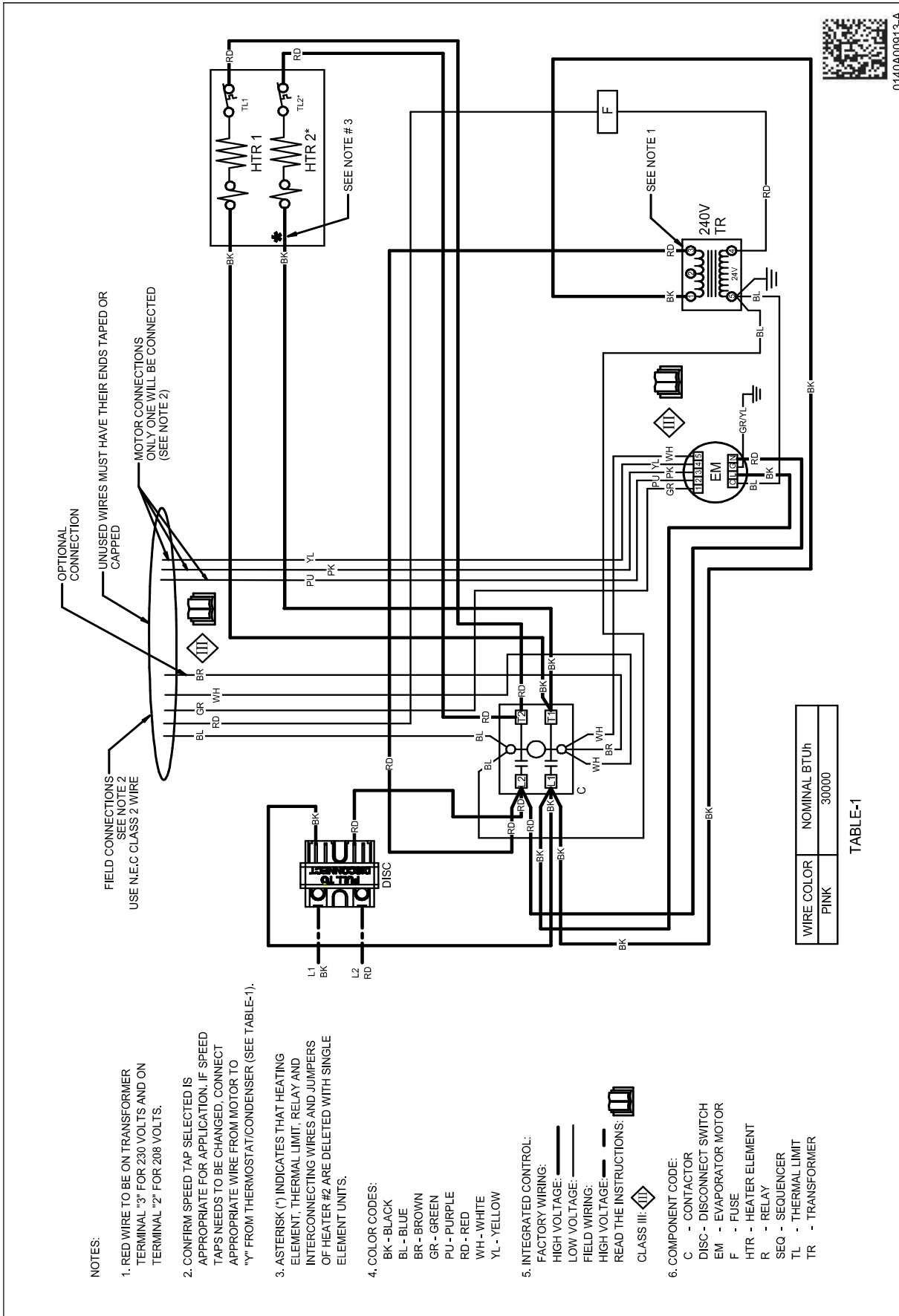




⚠ **WARNING** ⚡

High Voltage: Disconnect all power before servicing or installing this unit. Multiple power sources may be present. Failure to do so may cause property damage, personal injury, or death.

Wiring is subject to change. Always refer to the wiring diagram on the unit for the most up-to-date wiring.



⚠ **WARNING** High Voltage: Disconnect all power before servicing or installing this unit. Multiple power sources may be present. Failure to do so may cause property damage, personal injury, or death.

Wiring is subject to change. Always refer to the wiring diagram on the unit for the most up-to-date wiring.

