



## Submittal Data Sheet

1.5 Ton, Wall-Mount, Unpainted, Air Handler

AWUF180316

### STANDARD FEATURES

- Equipped with a Check Flowrater for cooling-only and heat pump operation
- Direct-drive, multi-speed motors allows air volume variation for heating/cooling:
- Multi-speed ECM: AWUF19, 25, 31, 32, 37
- Multi-speed PSC motor: AWUF18, 24, 30, 36
- Sequence-controlled, rust-resistant nickel chromium heating elements of 3, 5, 8, and 10 kW
- Aluminum tubing coils on all models
- Cabinet air leakage less than 2.0% at 1.0 inch H2O when tested in accordance with ASHRAE standard 193
- Cabinet air leakage less than 1.4% at 0.5 inch H2O when tested in accordance with ASHRAE standard 193
- Factory-installed pull-type disconnect
- Thermoplastic drain pan with bottom primary and secondary drain connections
- Built-in filter rack (filter included)
- Large chassis (2-1/2 and 3 ton units), front return only
- Small chassis (1-1/2 and 2 ton units), front or bottom return
- Wall-hanging bracket provided
- AHRI Certified
- ETL Listed





## Submittal Data Sheet

1.5 Ton, Wall-Mount, Unpainted, Air Handler

AWUF180316

### PERFORMANCE

|                           |             |                                      |   |
|---------------------------|-------------|--------------------------------------|---|
| Product Model No.         | AWUF180316  | Product Model Name:                  | 1.5 Ton, Wall-Mount, Unpainted, Air Handler |
| Type:                     | Air Handler | Cooling Capacity (Nominal) (Btu/hr): | 18,000                                      |
| Blower Motor Rating (HP): | 1/5         |                                      |   |

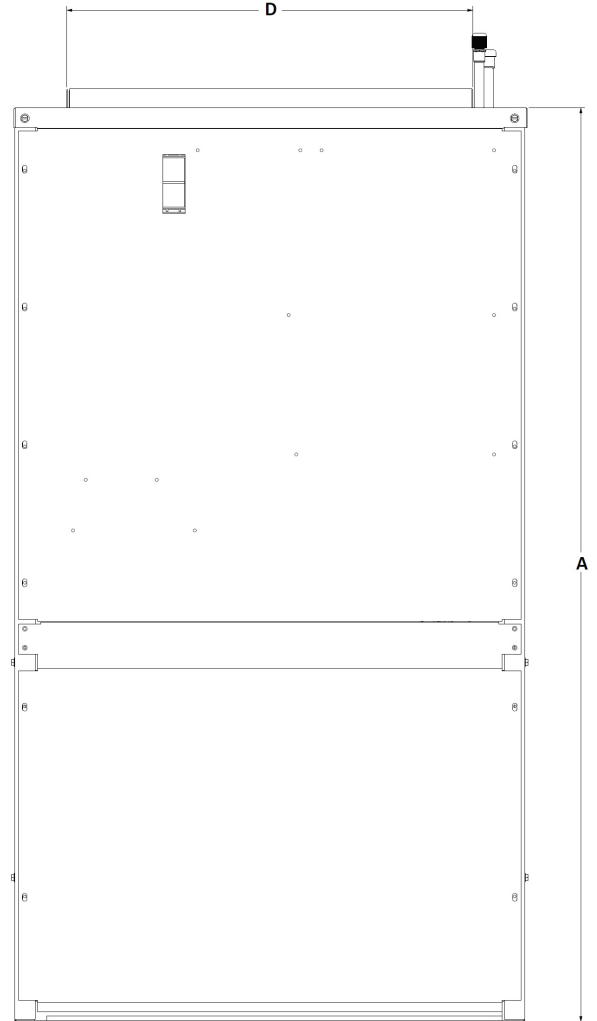
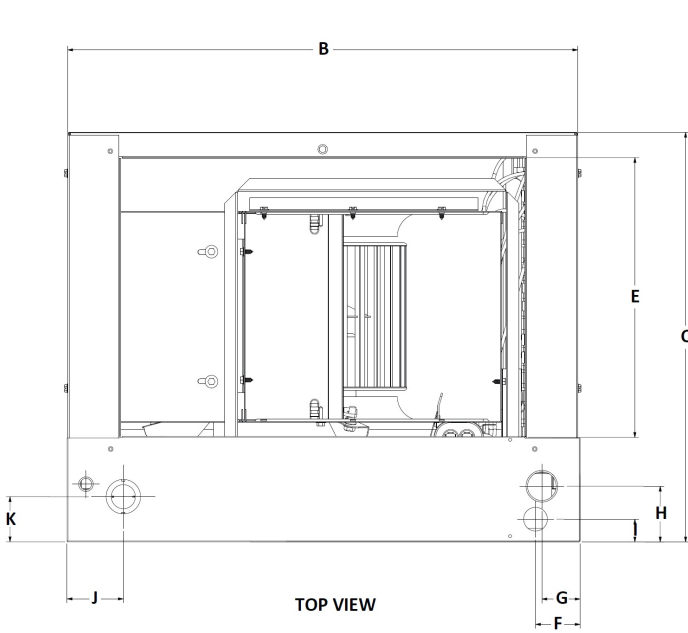
### PRODUCT DETAILS

|                                       |                      |                                       |     |
|---------------------------------------|----------------------|---------------------------------------|-----|
| Power Supply (V/Hz/Ph):               | 208-230 / 60 / 1     | Airflow Rate (High) (CFM):            |     |
| Min. Circuit Amps MCA (A):            | 15.1                 | Suction Valve Connection Size (inch): | 5/8 |
| Max Overcurrent Protection (MOP) (A): | 20                   | Liquid Valve Connection Size (inch):  | 3/8 |
| Dimensions (HxWxD) (in):              | 36 x 20-1/4 x 16-1/4 | Condensate Connection (inch):         | 3/4 |
| Net Weight (lb):                      | 84                   | Blower Size Diameter (inch):          | 9   |
| Gross Weight (lb):                    | 84                   | Blower Size Width (inch):             | 6   |

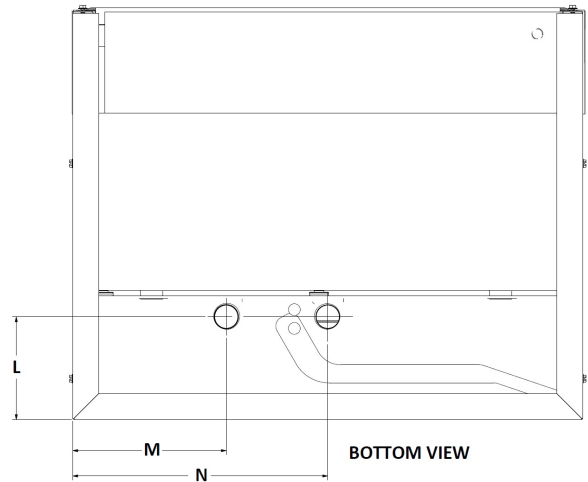
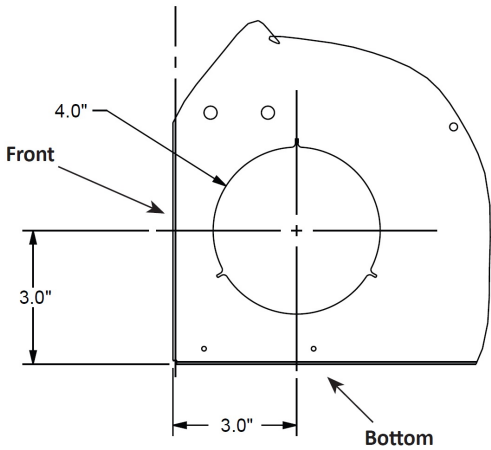
### Submittal Data Sheet

1.5 Ton, Wall-Mount, Unpainted, Air Handler  
AWUF180316

### DIMENSIONAL DRAWING



#### FRESH AIR OPENINGS



|            | A   | B                  | C                  | D                  | E   | F                 | G                 | H                 | I                 | J                 | K                 | L  | M  | N   |
|------------|-----|--------------------|--------------------|--------------------|-----|-------------------|-------------------|-------------------|-------------------|-------------------|-------------------|----|----|-----|
| AWUF 18-25 | 36" | 20 $\frac{1}{4}$ " | 16 $\frac{1}{8}$ " | 16"                | 11" | 1 $\frac{3}{4}$ " | 1 $\frac{1}{2}$ " | 2 $\frac{1}{4}$ " | $\frac{7}{8}$ "   | 1 $\frac{1}{8}$ " | 1 $\frac{3}{4}$ " | 4" | 6" | 10" |
| AWUF 30-37 | 36" | 24"                | 21"                | 18 $\frac{1}{4}$ " | 14" | 1 $\frac{1}{4}$ " | 1 $\frac{1}{4}$ " | 1 $\frac{1}{4}$ " | 1 $\frac{1}{4}$ " | 1 $\frac{1}{4}$ " | 2 $\frac{3}{8}$ " | 4" | 8" | 12" |

Daikin City Generated Submittal Data

© 2017 Daikin North America LLC, 5154 San Felipe, Suite 500, Houston, TX, 77056

[www.daikinac.com](http://www.daikinac.com) [www.daikincomfort.com](http://www.daikincomfort.com)

(Daikin's products are subject to continuous improvements. Daikin reserves the right to modify product design, specifications and information in this data sheet without notice and without incurring any obligations)