



AWVE SERIES



WALL MOUNT, VARIABLE SPEED, ECM-BASED AIR HANDLER WITH INTERNAL EEV, COMMUNICATING FOR SIDE DISCHARGE MATCHUP 1 TO 3 TONS

Contents

Nomenclature	2
Heat Kit Nomenclature.....	2
Product Specifications	3
Dimensions	4
Airflow Data	6
Wiring Diagram	7
Accessories	9

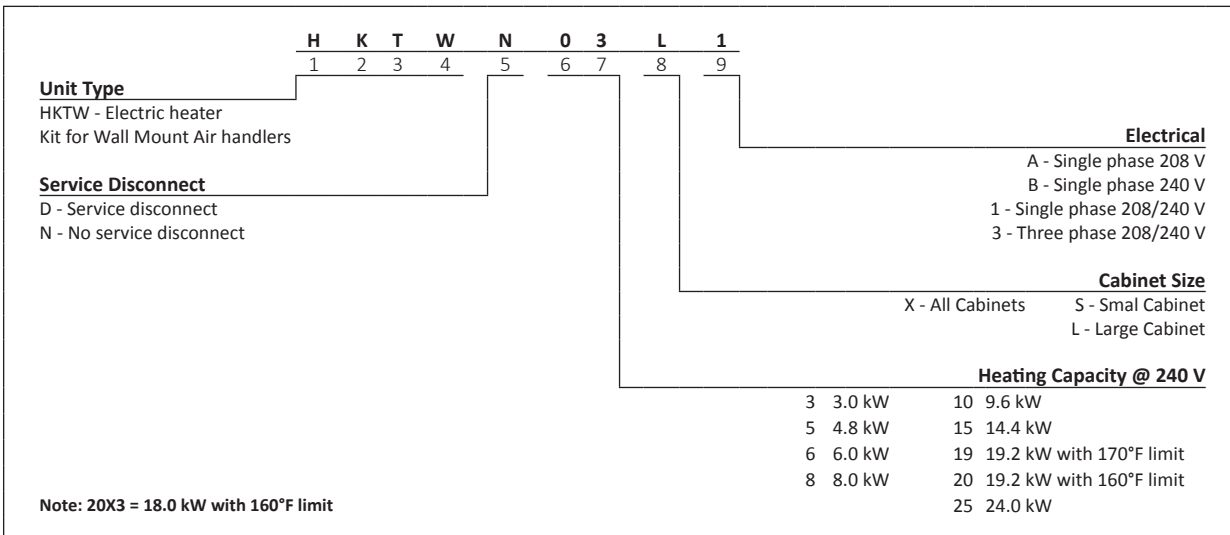
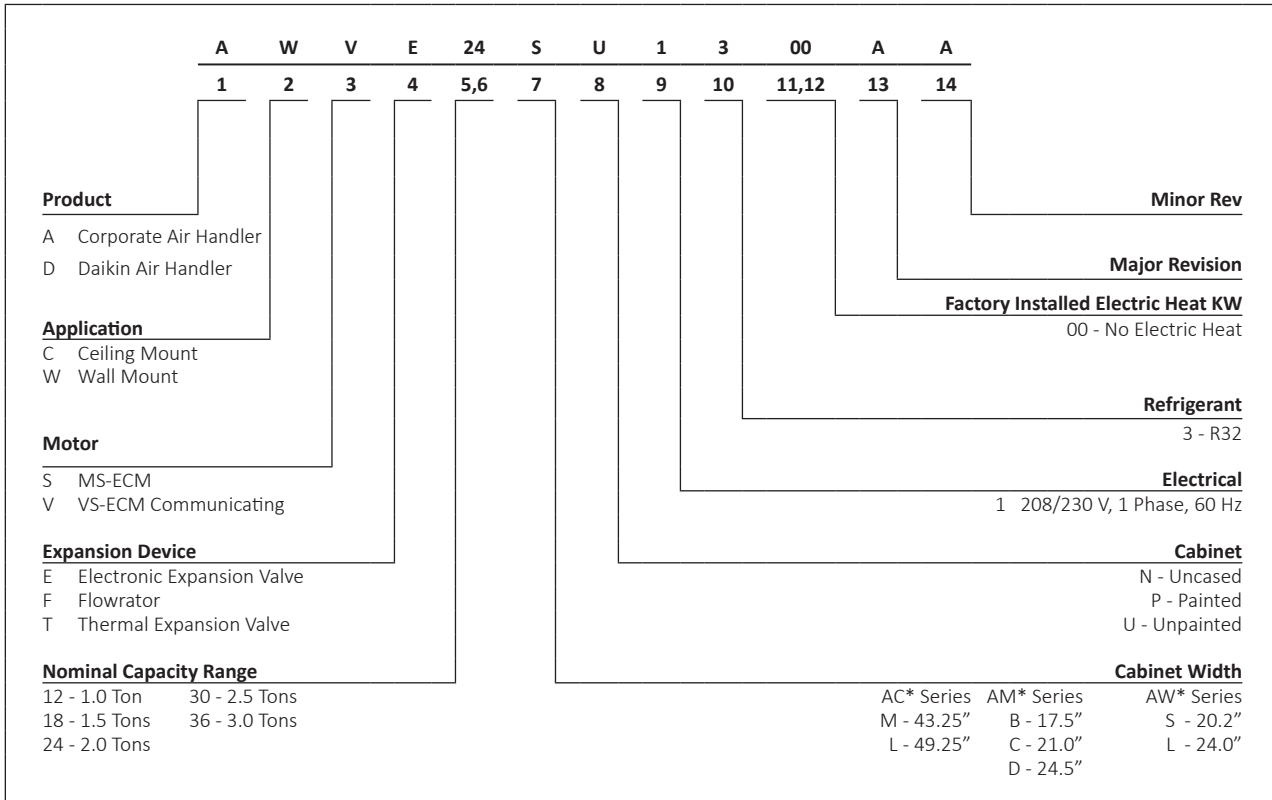
R32

Product Features

- Electronic Expansion Valve (EEV) for cooling and heat pump applications
- Optimized for use with R-32 refrigerant AHRI certified; ETL listed
- Factory installed R-32 sensor designed for the lifespan of the coil
- Variable-speed ECM blower motor provides constant CFM over a wide range of static pressure conditions independent of duct system
- Compatible with Daikin *One+* smart thermostat and other Daikin communicating equipment
- Aluminum tubing coils on all models
- Cabinet air leakage less than 2.0% at 1.0 inch H₂O when tested in accordance with ASHRAE standard 193
- Cabinet air leakage less than 1.4% at 0.5 inch H₂O when tested in accordance with ASHRAE standard 193
- UL 60335 2-40 Compliant
- Fault recall of six most recent faults
- Thermoplastic drain pan with bottom primary and secondary drain connections
- Built-in filter rack (filter included)
- Large chassis (2½- and 3-ton units) – front return only
- Small chassis (1, 1½ and 2 ton units) – front or bottom return
- Wall-hanging bracket provided
- Field installed 3 kW electric heater kit option available for large chassis only



* Complete warranty details available from your local dealer or at www.daikincomfort.com. To receive the 12-Year Parts Limited Warranty, online registration must be completed within 60 days of installation. Additional requirements for annual maintenance are required for the Unit Replacement Limited Warranty. Online registration and some of the additional requirements are not required in California or Québec. The duration of warranty coverage in Texas and Florida differs in some cases.



	AWVE12 SU1300	AWVE18 SU1300	AWVE24 SU1300	AWVE30 LU1300	AWVE36 LU1300
NOMINAL RATINGS					
Cooling (BTU/h)	12000	18000	24000	30000	36000
Heating (BTU/h)	12000	18000	24000	30000	36000
BLOWER					
Diameter	10	10	10	10	10
Width	6	6	6	8	8
COIL CONNECTIONS					
Liquid	3/8"	3/8"	3/8"	3/8"	3/8"
Suction	3/8"	3/8"	5/8"	3/4"	3/4"
Coil Drain Connection FPT	3/4"	3/4"	3/4"	3/4"	3/4"
ELECTRICAL DATA					
Voltage	208/230	208/230	208/230	208/230	208/230
Minimum Circuit Ampacity	2.6/2.6	3.5/3.5	4.9/4.9	4.9/4.9	4.9/4.9
Max. Overcurrent Device (Amps)	15/15	15/15	15/15	15/15	15/15
Minimum VAC	197	197	197	197	197
Maximum VAC	253	253	253	253	253
BLOWER MOTOR					
Full Load Amps (FLA)	2.1	2.8	3.9	3.9	3.9
Horsepower (HP)	1/4	1/3	1/2	1/2	1/2
SHIP WEIGHT (LBS)	77	77	80	94	94

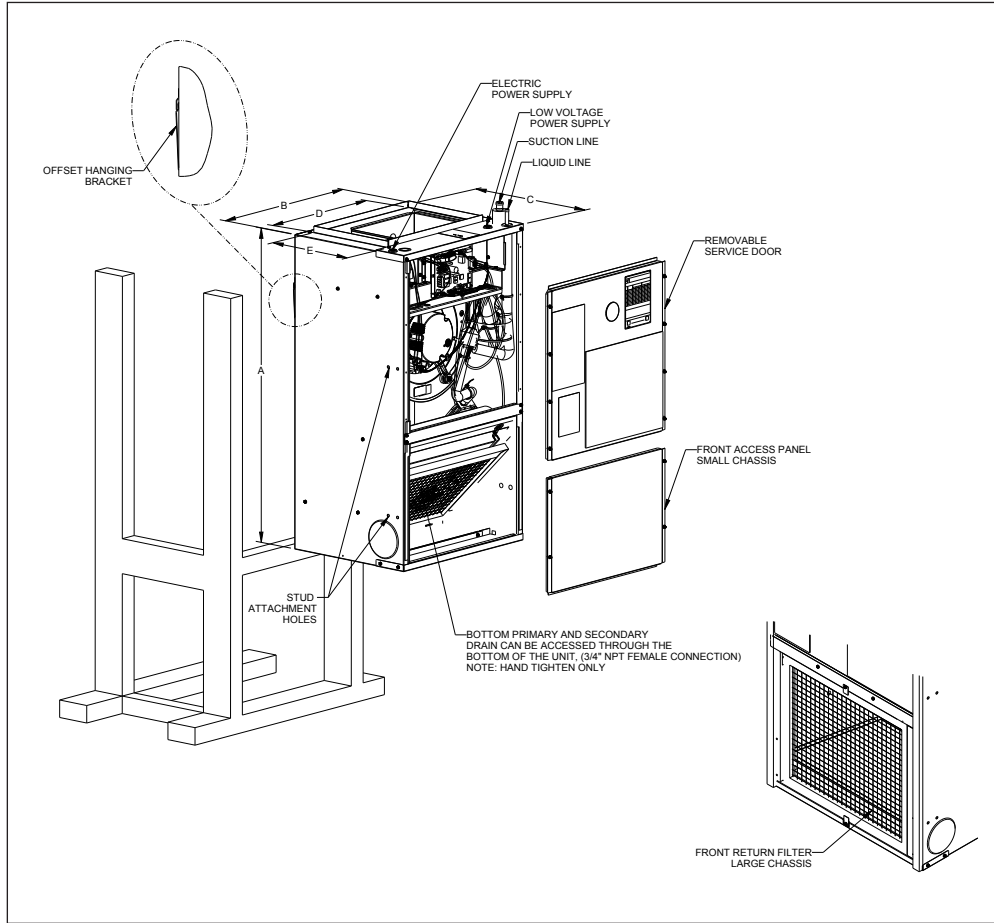
MODELS	CIRCUIT 1 (208V/240V)		
	HEATER AMPS	MCA ¹	MOP ²
AWVE30LU1300	0.0/0.0	4.9/4.9	15/15
HKTWN03L1	10.8/12.5	18.4/20.5	20/25
AWVE36LU1300	0.0/0.0	4.9/4.9	15/15
HKTWN03L1	10.8/12.5	18.4/20.5	20/25

¹ Minimum Circuit Ampacity (Heater Amps + Motor Amps) X 1.25

² Maximum Overcurrent Protection = 2.25 X Motor Amps + Heater Amps

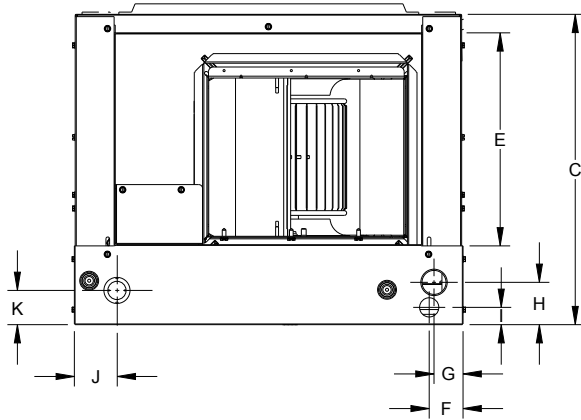
DIMENSIONS

Note - Once installed, top of unit must be level or slightly tilted back to ensure proper condensate drainage.

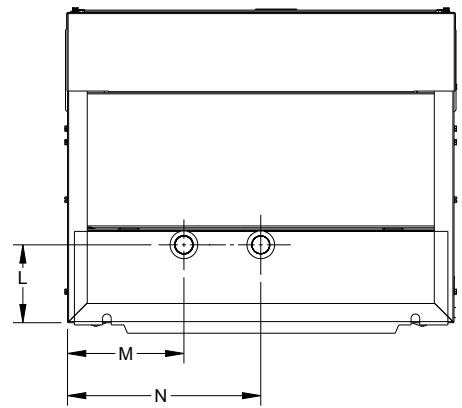
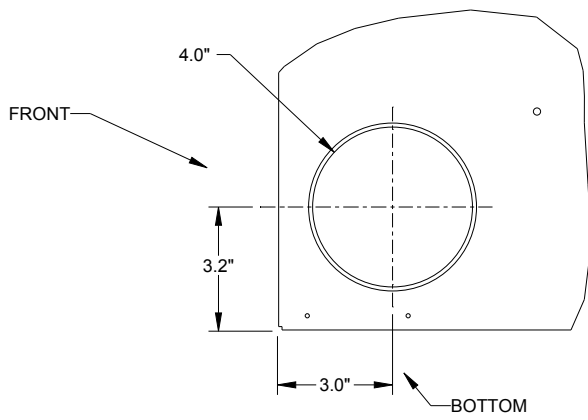
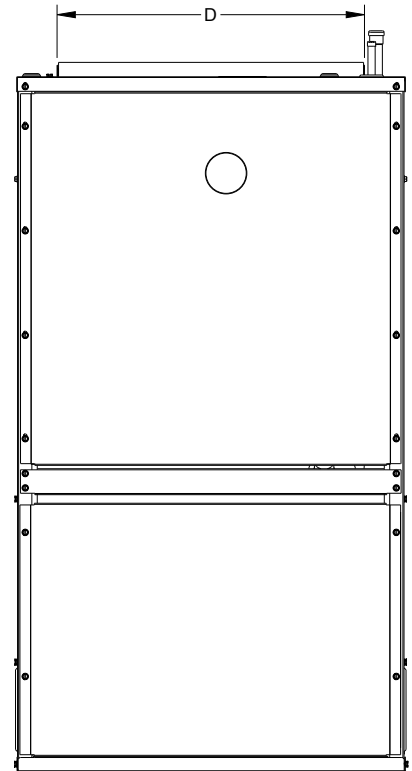


SMALL CHASSIS (AWVE12,18,24)	
A	36"
B	20 ³ / ₁₆ "
C	16 ¹ / ₈ "
D	16"
E	11"
Filter	14" X 18" x 1"

LARGE CHASSIS (AWVE30,36)	
A	36"
B	24"
C	21"
D	19 ⁷ / ₈ "
E	15 ⁵ / ₈ "
Filter	18" X 20" x 1"



TOP VIEW



BOTTOM VIEW

	A	B	C	D	E	F	G	H	I	J	K	L	M	N
AWVE 12,18,24	36"	20 $\frac{1}{4}$ "	16 $\frac{1}{2}$ "	16"	11"	1 $\frac{3}{4}$ "	1 $\frac{1}{2}$ "	2 $\frac{1}{4}$ "	$\frac{7}{8}$ "	1 $\frac{1}{8}$ "	1 $\frac{3}{4}$ "	4"	6"	10"
AWVE 30,36	36"	24"	21"	19 $\frac{1}{2}$ "	16"	4 $\frac{1}{8}$ "	1 $\frac{1}{2}$ "	1 $\frac{3}{4}$ "	2"	1 $\frac{1}{4}$ "	2 $\frac{3}{8}$ "	4"	8"	12"

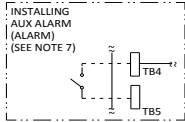
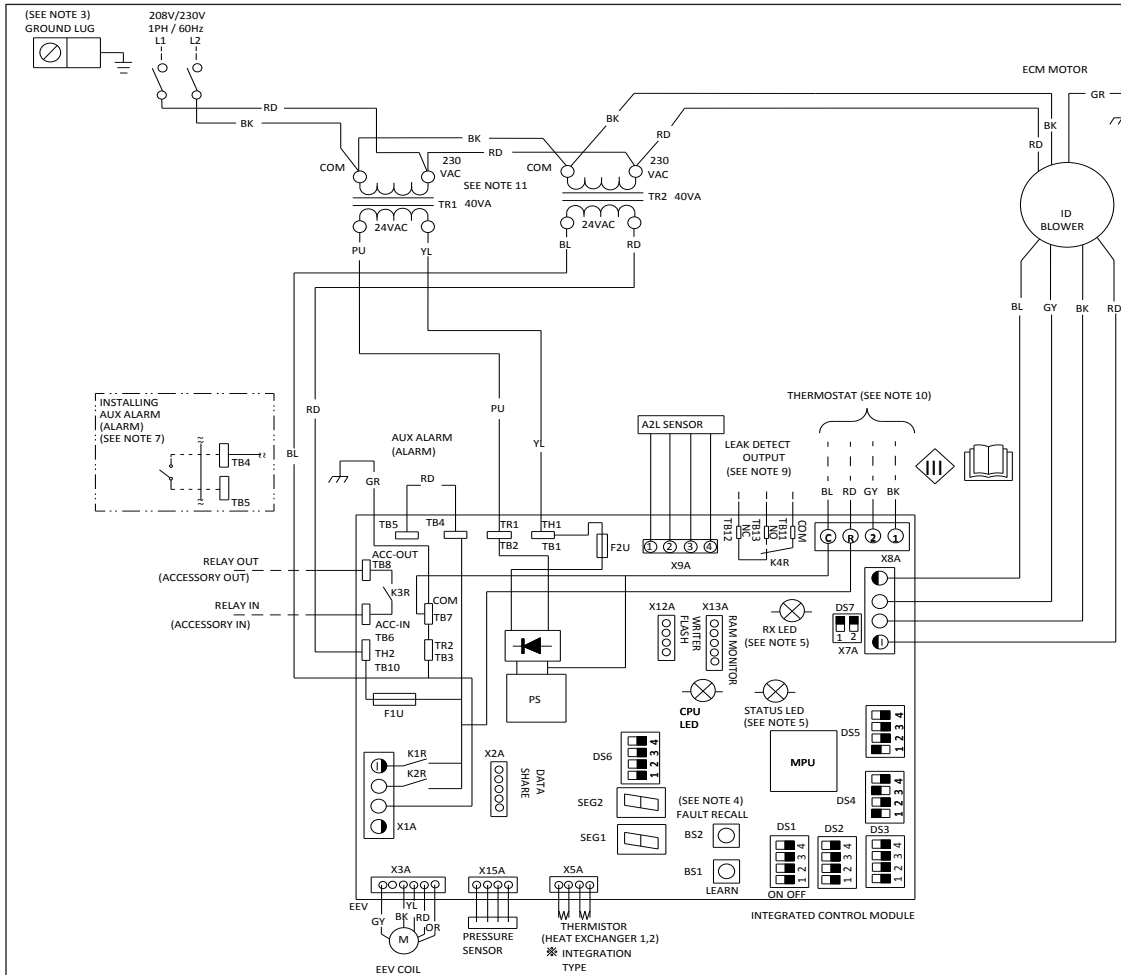
RATED INDOOR AIRFLOW RATE [SCFM]

ID UNIT	OD UNIT	STATIC PRESSURE (IN. WC)							
		0.1	0.2	0.3	0.4	0.5	0.6	0.7	0.8
AWVE12 SU1300	DH6VSA121M / GZV6VSA121M	450	450	450	450	450	450	450	450
AWVE18 SU1300	DH6VSA181M / GZV6VSA181M	600	600	600	600	600	600	600	600
AWVE24 SU1300	DH6VSA241M / GZV6VSA241M	830	830	830	830	830	830	830	830
AWVE30 LU1300	DH6VSA301M */ GZV6VSA301M *	1000	1000	1000	1000	1000	1000	1000	1000
AWVE36 LU1300	DH6VSA361M */ GZV6VSA361M *	1150	1150	1150	1150	1150	1150	1150	1150

* The chart is for information only. For satisfactory operation, external static pressure must not exceed 0.3 wc. CFM values are based on 0% trim, refer to outdoor spec sheet for higher/lower trim values.

* Unit may provide different SCFM during electrical heater operation. See IO manual for the airflow rate.

AWVE12SU13**, AWVE18SU13**, AWVE24SU13** WIRING DIAGRAM



NOTES :

1. MANUFACTURER'S SPECIFIED REPLACEMENT PARTS MUST BE USED WHEN SERVICING.
2. IF ANY OF THE ORIGINAL WIRES AS SUPPLIED WITH THIS UNIT MUST BE REPLACED, IT MUST BE REPLACED WITH WIRING MATERIAL HAVING A TEMPERATURE RATING OF AT LEAST 105 °C. USE COPPER CONDUCTORS ONLY.
3. UNIT MUST BE PERMANENTLY GROUNDING AND CONFORMED TO N.E.C AND LOCAL CODES.
4. TO RECALL THE LAST 6 FAULTS, MOST RECENT TO LEAST RECENT, DEPRESS FAULT RECALL BUTTON FOR MORE THAN 2 SECONDS WHILE IN STANDBY (NO THERMOSTAT INPUTS)
5. RED STATUS LED PROVIDES NETWORK STATUS. GREEN RX LED INDICATES NETWORK TRAFFIC. USE LEARN BUTTON TO RESET NETWORK.
6. THE POSITION OF SELECTOR SWITCHES (DS1 - DS7) INDICATE FACTORY SETTING.
7. REMOVE SHORT RED WIRE AND PUT AUX ALARM SWITCH WHEN INSTALLING AUX ALARM SWITCH.
8. HEATER KIT IS NOT COMPATIBLE WITH THIS MODEL.
9. THIS OUTPUT OPERATES WHEN A REFRIGERANT LEAK IS DETECTED. (DRY CONTACT) USE THIS CONTACT WHEN INTERLOCKING UV LIGHT, DAMPER, ETC.
10. USE N.E.C CLASS 2 WIRE.
11. LOW VOLTAGE TRANSFORMER RATED 24VAC OUTPUT 40VA @ 1.667 AMP.

COMPONENT LEGEND:

- LOW VOLTAGE ———
- LOW VOLTAGE FIELD — — —
- HIGH VOLTAGE ———
- HIGH VOLTAGE FIELD — — —
- JUNCTION ●
- TERMINAL ○
- INTERNAL CONNECTIONS ≡
- RESISTOR ⎓
- FUSE (F1U, F2U) ⊞
- PLUG CONNECTION ⊞
- EQUIPMENT GROUND ⎓
- FIELD GROUND ⊞
- DIP SWITCH(OFF)
- ON OFF
- READ THE INSTRUCTIONS
- FIELD SPlice
- CLASS III

COMPONENT CODES:

- DS1 - DS7 — SELECTOR SWITCH
- TR — TRANSFORMER
- FPL — FEMALE PLUG
- MPL — MALE PLUG
- ID — INDOOR
- AUX — AUXILIARY
- COM — 24V COMMON

COLOR CODES:

- BL - BLUE
- RD - RED
- YL - YELLOW
- OR - ORANGE
- BK - BLACK
- GY - GREY
- BR - BROWN
- GR - GREEN
- PU - PURPLE
- WH - WHITE
- PK - PINK

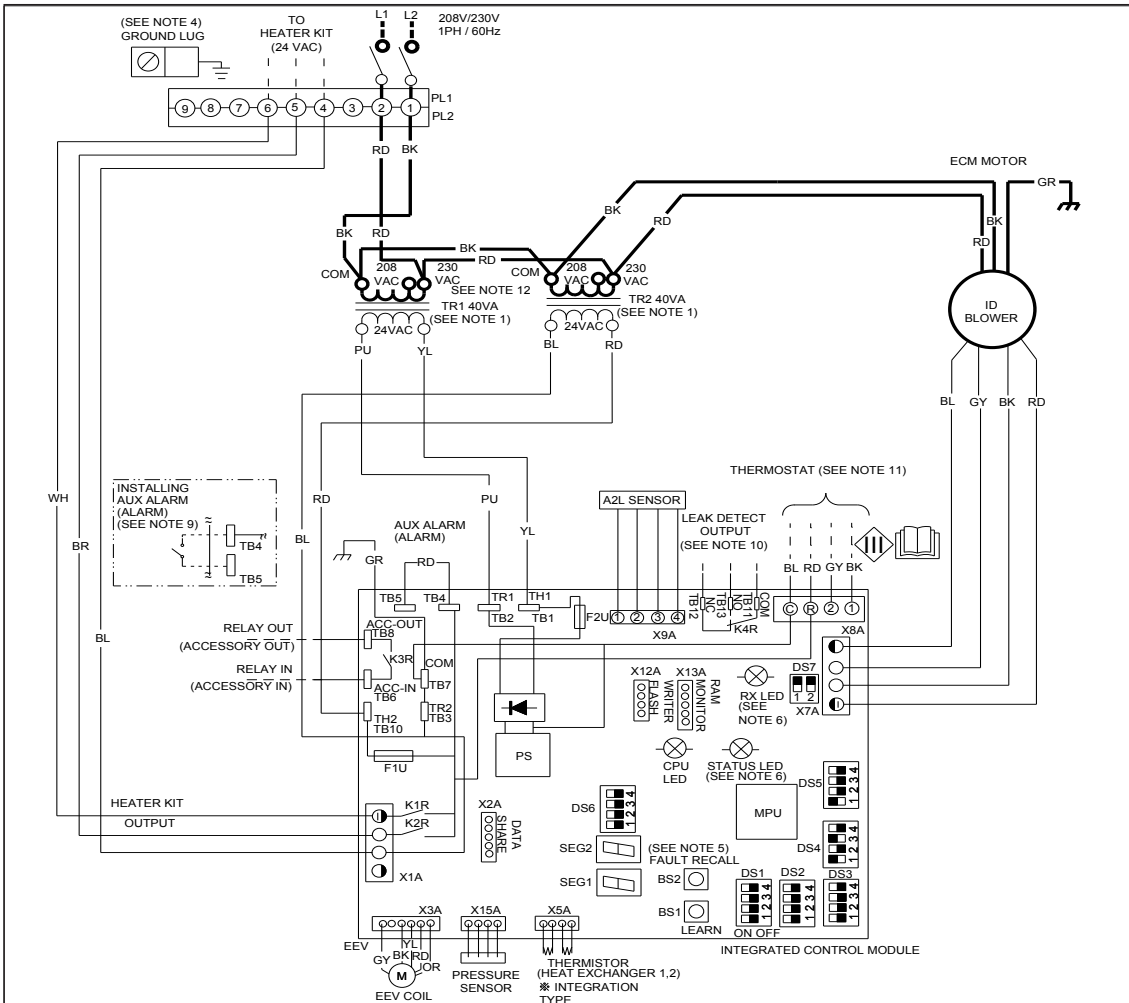


0140A20117-A

High Voltage: Disconnect all power before servicing or installing this unit. Multiple power sources may be present. Failure to do so may cause property damage, personal injury, or death.

Wiring is subject to change. Always refer to the wiring diagram on the unit for the most up-to-date wiring.

AWVE30LU13**, AWVE36LU13** WIRING DIAGRAM



NOTES :

1. PLACE RED WIRES ON 208 V TERMINAL OF 2-TRANSFORMER (TR1/TR2) FOR 208 VAC OPERATION.
2. MANUFACTURER'S SPECIFIED REPLACEMENT PARTS MUST BE USED WHEN SERVICING.
3. IF ANY OF THE ORIGINAL WIRES AS SUPPLIED WITH THIS UNIT MUST BE REPLACED, IT MUST BE REPLACED WITH WIRING MATERIAL HAVING A TEMPERATURE RATING OF AT LEAST 105°C. USE COPPER CONDUCTORS ONLY.
4. UNIT MUST BE PERMANENTLY GROUNDED AND CONFORM TO N.E.C AND LOCAL CODES.
5. TO RECALL THE LAST 6 FAULTS. MOST RECENT TO LEAST RECENT, DEPRESS FAULT RECALL BUTTON FOR MORE THAN 2 SECONDS WHILE IN STANDBY (NO THERMOSTAT INPUTS)
6. RED STATUS LED PROVIDES NETWORK STATUS. GREEN RX LED INDICATES NETWORK TRAFFIC. USE LEARN BUTTON TO RESET NETWORK.
7. DISCARD CONNECTOR PL1 WHEN INSTALLING OPTIONAL HEAT KIT.
8. THE POSITION OF SELECTOR SWITCHES (DS1 - DS7) INDICATE FACTORY SETTING.
9. REMOVE SHORT RED CIRCUITING WIRE AND PUT AUX ALARM SWITCH WHEN INSTALLING AUX ALARM SWITCH, CONDENSATE SWITCH, ETC.
10. THIS OUTPUT OPERATES WHEN A REFRIGERANT LEAK IS DETECTED. (DRY CONTACT) USE THIS CONTACT WHEN INTERLOCKING UV LIGHT, DAMPER, ETC.
11. USE N.E.C CLASS 2 WIRE.
12. LOW VOLTAGE TRANSFORMER RATED 24VAC OUTPUT 40VA @1.667 AMP.

COMPONENT LEGEND:

- LOW VOLTAGE ———
- LOW VOLTAGE FIELD - - -
- HIGH VOLTAGE ———
- HIGH VOLTAGE FIELD - - -
- JUNCTION ●
- TERMINAL ○
- INTERNAL CONNECTIONS =
- RESISTOR ⎓
- FUSE (F1U, F2U) ⊞
- PLUG CONNECTION ⊞
- EQUIPMENT GROUND ⎓
- FIELD GROUND ⊥
- DIP SWITCH(OFF)
- READ THE INSTRUCTIONS
- FIELD SPLICE
- CLASS III

COMPONENT CODES:

- PL1, PL2 — POWER/HEATER CONNECTOR
- DS1 - DS7 — SELECTOR SWITCH
- TR — TRANSFORMER
- PL3, PL4 — TRANSFORMER CONNECTOR
- ID — INDOOR
- AUX — AUXILIARY
- COM — 24V COMMON

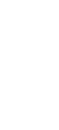
- COLOR CODES:**
- BL - BLUE
 - RD - RED
 - YL - YELLOW
 - OR - ORANGE
 - BK - BLACK
 - GY - GREY
 - BR - BROWN
 - GR - GREEN
 - PU - PURPLE
 - WH - WHITE



0140A20087-A

High Voltage: Disconnect all power before servicing or installing this unit. Multiple power sources may be present. Failure to do so may cause property damage, personal injury, or death.

Wiring is subject to change. Always refer to the wiring diagram on the unit for the most up-to-date wiring.



MODEL	ITEM #	DESCRIPTION
AWVE12,18,24	Wad-1	Wall access door
AWVE30,36	Wad-2	Wall access door

