



CAPTA – Cased with Internal TXV



CSCT – Cased with Internal TXV



CAPFA cased



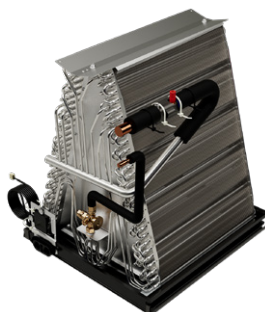
CHPTA – Cased with Internal TXV



CHPEA
Horizontal "A" with EEV



CAPEA
Cased with internal EEV



CAUTA
Uncased with TXV

CAPEA, CHPEA, CAPFA, CAPTA,
CHPTA, CSCT AND CAUTA
PAINTED UPFLOW/DOWNFLOW,
HORIZONTAL "A" AND HORIZONTAL SLAB

R32

Standard Features

- All-Aluminum evaporator coil
- Optimized for use with R-32 refrigerant including circuits and manifolds
- R-32 sensor designed for the life span of the coil
- CAPTA, CHPTA CAUTA models feature factory-installed thermal expansion valves for cooling and heat pump applications
- CSCT models feature a factory-installed thermal expansion valve for cooling applications
- CAPEA and CHPEA models feature:
 - Factory-installed electronic expansion valve (EEV) for precise refrigerant control
 - Compatibility with Daikin *One+* smart thermostat and other Daikin communicating equipment
 - Cooling and heat pump applications
 - Fault recall of six most recent faults
- CAPFA models feature optimized metering devices (piston)
- Standardized copper suction tube stub length
- Vertical and horizontal models available
- 21" depth for easier attic access
- CAPFA, CAPTA, CHPTA, CAPEA and CHPEA include single front access panel
- Foil-faced insulation covers the internal casing to reduce cabinet condensation
- Galvanized, leather grain-embossed finish
- Rust resistant, thermoplastic drain pans featuring a low water-retention design
- DecaBDE-free thermoplastic drain pan with secondary drain connections
- Drain pan rails designed to remove and reposition coils with ease without compromising structural integrity
- UV-resistant drain pan
- AHRI certified; ETL listed



Note: Do not use these coils on oil furnaces or any applications where the temperature on the drain pan may exceed 300° F. If these coils are applied with an oil furnace or another application where high temperatures threaten or jeopardize the durability of the drain pan, you must replace the factory-installed drain pan with a high-temperature drain pan. High-temperature drain pan kits are available as field-installed accessories.



* Complete warranty details available from your local dealer or at www.daikincomfort.com. To receive the 12-Year Parts Limited Warranty, online registration must be completed within 60 days of installation. Online registration and some of the additional requirements are not required in Florida, California, or Québec. The duration of warranty coverage in Texas and Florida differs in some cases. Other limitations and exclusions apply; refer to complete warranty details for a full list of limitations and exclusions.

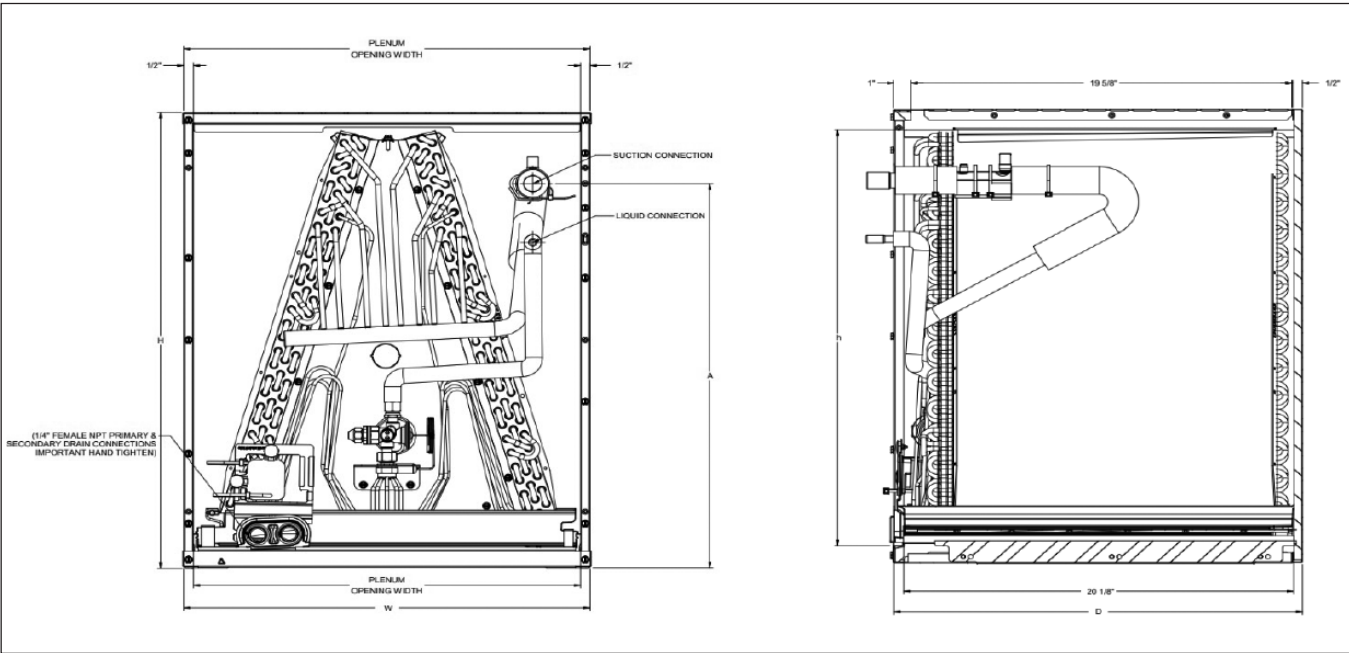
CAPTA — CASED UPFLOW/DOWNFLOW INDOOR COILS

SPECIFICATIONS

MODEL	CABINET DIMENSIONS			NOMINAL TONS	CONNECTION		SHIP WEIGHT (LBS)
	W	D	H		LIQUID	SUCTION	
CAPTA1818A3	14"	21"	18"	1½	⅜"	¼"	30
CAPTA1818B3	17½"	21"	18"	1½	⅜"	¼"	35
CAPTA2422A3	14"	21"	22"	1½ - 2	⅜"	¼"	37
CAPTA2422B3	17½"	21"	22"	1½ - 2	⅜"	¼"	40
CAPTA2422C3	21"	21"	22"	1½ - 2	⅜"	¼"	43
CAPTA3022A3	14"	21"	22"	2 - 2½	⅜"	¼"	37
CAPTA3022B3	17½"	21"	22"	2 - 2½	⅜"	¼"	40
CAPTA3022C3	21"	21"	22"	2 - 2½	⅜"	¼"	43
CAPTA3026B3	17½"	21"	26"	1½ - 2½	⅜"	⅝"	46
CAPTA3026C3	21"	21"	26"	1½ - 2½	⅜"	⅝"	51
CAPTA3626B3	17½"	21"	26"	2 - 3	⅜"	⅝"	48
CAPTA3626C3	21"	21"	26"	2 - 3	⅜"	⅝"	51
CAPTA4230C3	21"	21"	30"	2½ - 3½	⅜"	⅝"	66
CAPTA4230D3	24½"	21"	30"	2½ - 3½	⅜"	⅝"	70
CAPTA6030C3	21"	21"	30"	3½ - 5	⅜"	⅝"	66
CAPTA6030D3	24½"	21"	30"	3½ - 5	⅜"	⅝"	70

Note: For a properly matched system and piston sizing information, refer to Daikin piston kit chart of the corresponding Daikin outdoor unit.

DIMENSIONS



CHPTA— CASED HORIZONTAL INDOOR COILS

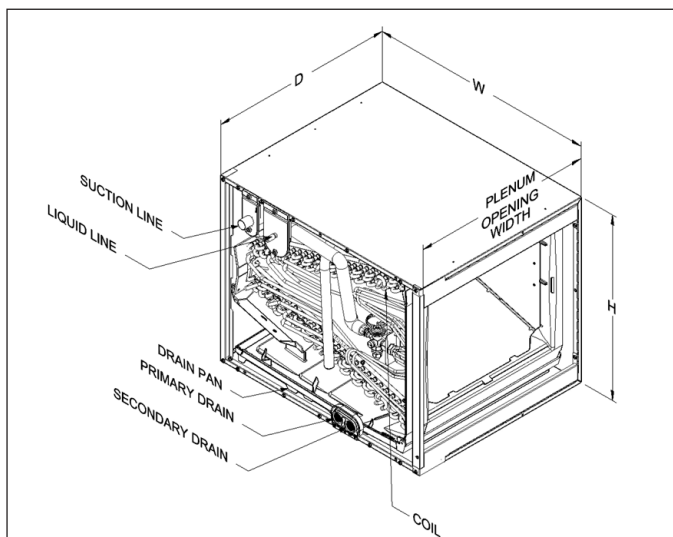
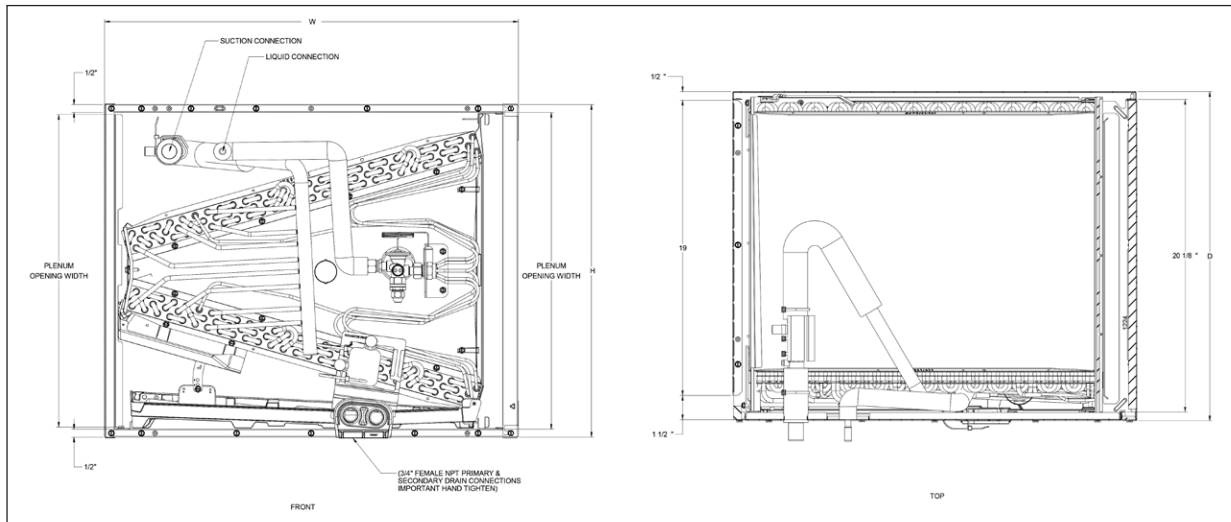


SPECIFICATIONS

MODEL	CABINET DIMENSIONS			NOMINAL TONS	CONNECTION		SHIP WEIGHT (LBS)
	W	D	H		LIQUID	SUCTION	
CHPTA1822A3	22"	21"	14"	1½	¾"	¾"	46
CHPTA1822B3	22"	21"	17½"	1½	¾"	¾"	50
CHPTA2426B3	26"	21"	17½"	1½ - 2	¾"	7⁄8"	55
CHPTA2426C3	26"	21"	21"	1½ - 2	¾"	7⁄8"	57
CHPTA3026B3	26"	21"	17½"	2 - 2½	¾"	7⁄8"	59
CHPTA3026C3	26"	21"	21"	2 - 2½	¾"	7⁄8"	62
CHPTA3630B3	30"	21"	17½"	2½ - 3	¾"	7⁄8"	66
CHPTA3630C3	30"	21"	21"	2½ - 3	¾"	7⁄8"	70
CHPTA4230C3	30"	21"	21"	2½ - 3½	¾"	7⁄8"	70
CHPTA4830C3	30"	21"	21"	3½ - 4	¾"	7⁄8"	78
CHPTA6030D3	30"	21"	24½"	4 - 5	¾"	7⁄8"	82

Note: For a properly matched system and piston sizing information, refer to Daikin piston kit chart of the corresponding Daikin outdoor unit.

DIMENSIONS



CAPFA— CASED HORIZONTAL INDOOR COILS

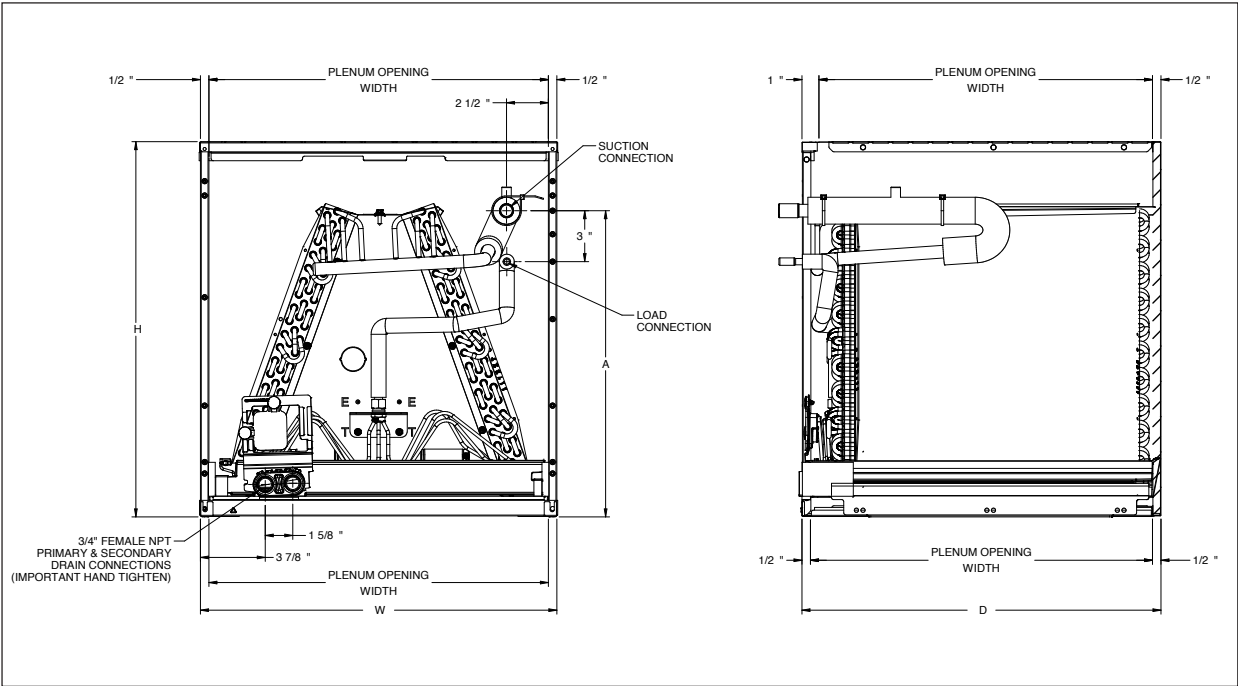


SPECIFICATIONS

MODEL	CABINET DIMENSIONS				NOMINAL TONS	CONNECTION		SHIP WEIGHT (LBS)
	W	D	H	A		LIQUID	SUCTION	
CAPFA1818A3	14"	21"	18"	14"	1½	¾"	¾"	28
CAPFA1818B3	17½"	21"	18"	15½"	1½	¾"	¾"	34
CAPFA1818C3	21"	21"	18"	14"	1½	¾"	¾"	43
CAPFA2422A3	14"	21"	22"	18"	2	¾"	¾"	42
CAPFA2422B3	17½"	21"	22"	18"	2	¾"	¾"	42
CAPFA2422C3	21"	21"	22"	18"	2	¾"	¾"	42
CAPFA3022A3	14"	21"	22"	18"	2½	¾"	¾"	36
CAPFA3022B3	17½"	21"	22"	18"	2½	¾"	¾"	42
CAPFA3022C3	21"	21"	22"	18"	2½	¾"	¾"	42
CAPFA3022D3	24½"	21"	22"	18"	2½	¾"	¾"	53
CAPFA3626B3	17½"	21"	26"	22"	3	¾"	7⁄8"	46
CAPFA3626C3	21"	21"	26"	22"	3	¾"	7⁄8"	50
CAPFA3626D3	24½"	21"	26"	22"	3	¾"	7⁄8"	61
CAPFA4226B3	17½"	21"	26"	22"	3½	¾"	7⁄8"	46
CAPFA4226C3	21"	21"	26"	22"	3½	¾"	7⁄8"	50
CAPFA4226D3	24½"	21"	26"	22"	3½	¾"	7⁄8"	61
CAPFA6030C3	21"	21"	30"	26"	4	¾"	7⁄8"	66
CAPFA6030D3	24½"	21"	30"	26"	5	¾"	7⁄8"	69

Note: For a properly matched system and piston sizing information, refer to Daikin piston kit chart of the corresponding Daikin outdoor unit.

DIMENSIONS



CAPEA—CASED HORIZONTAL INDOOR COILS

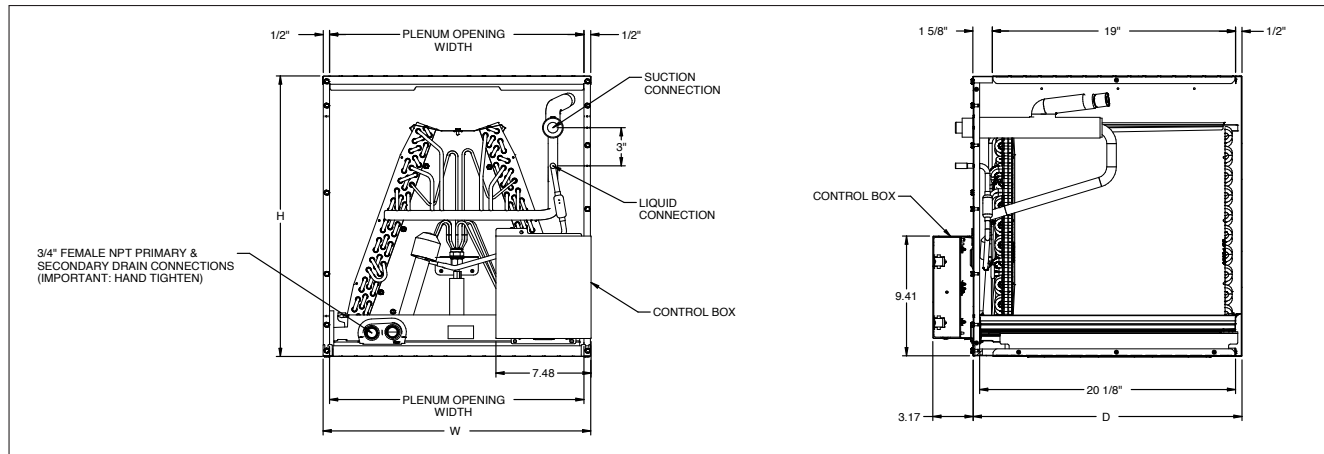


SPECIFICATIONS

MODEL	CABINET DIMENSIONS			NOMINAL TONS	CONNECTION		SHIP WEIGHT (LBS)
	W	D	H		LIQUID	SUCTION	
CAPEA2418B3	17½"	21	18	2	5/16" or 3/8"	5/8" or 3/4"	43
CAPEA2418C3	21	21	18	2	5/16" or 3/8"	5/8" or 3/4"	45
CAPEA3022B3	17½"	21	22	2½	5/16" or 3/8"	3/4" or 7/8"	48
CAPEA3022C3	21	21	22	2½	5/16" or 3/8"	3/4" or 7/8"	51
CAPEA3626B3	17½"	21	26	3	5/16" or 3/8"	3/4" or 7/8"	54
CAPEA3626C3	21	21	26	3	5/16" or 3/8"	3/4" or 7/8"	57
CAPEA3626D3	24½"	21	26	3	5/16" or 3/8"	3/4" or 7/8"	62
CAPEA4830C3	21	21	30	4	3/8"	7/8" or 1½"	68
CAPEA4830D3	24½"	21	30	4	3/8"	7/8" or 1½"	70
CAPEA6030C3	21	21	30	5	3/8"	7/8" or 1½"	75
CAPEA6030D3	24½"	21	30	5	3/8"	7/8" or 1½"	78

Note: For a properly matched system and piston sizing information, refer to Daikin piston kit chart of the corresponding Daikin outdoor unit.

DIMENSIONS



CHPEA— CASED HORIZONTAL INDOOR COILS

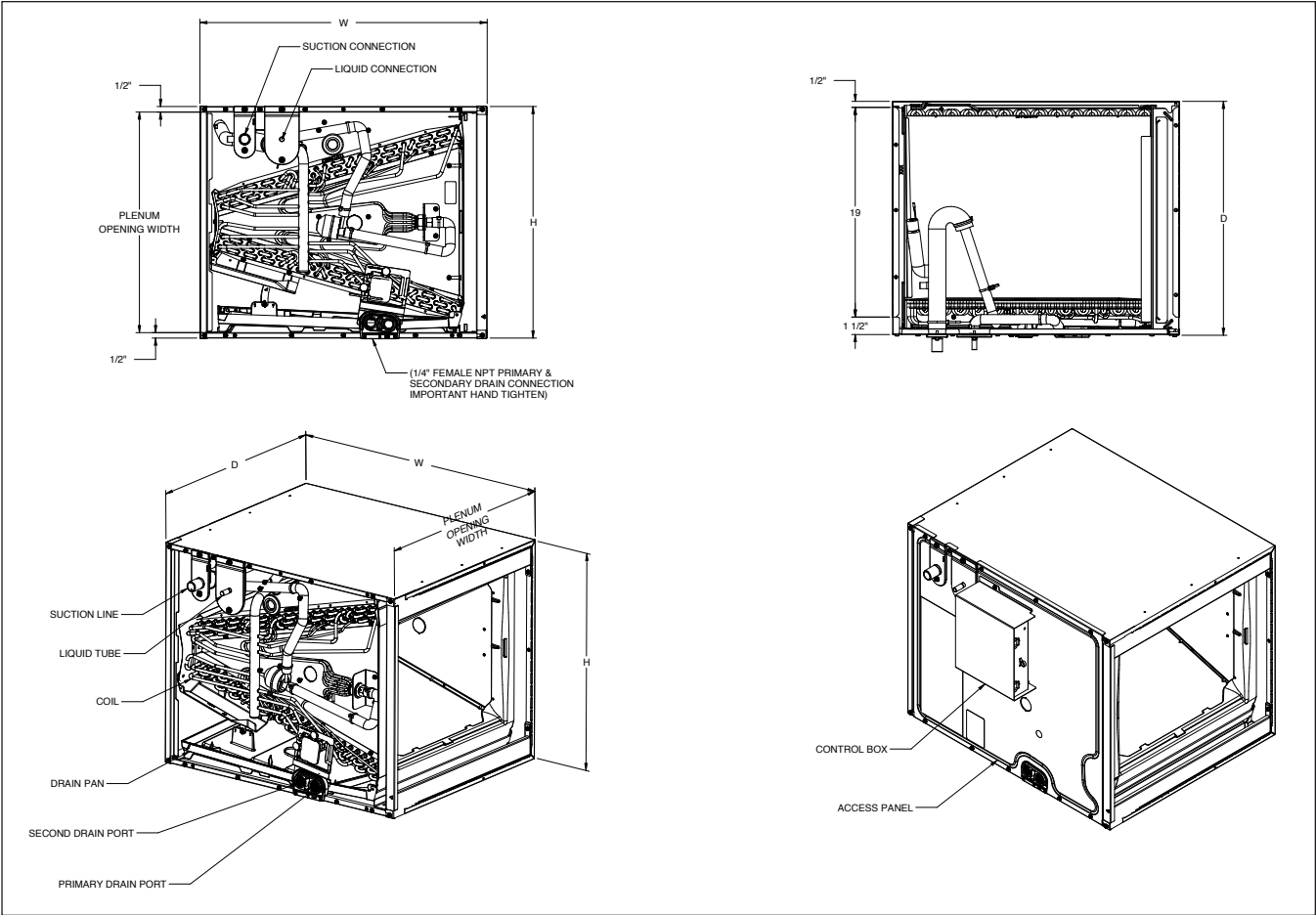


SPECIFICATIONS

MODEL	CABINET DIMENSIONS			NOMINAL TONS	CONNECTION		SHIP WEIGHT (LBS)
	W	D	H		LIQUID	SUCTION	
CHPEA2422B3	22"	21"	17½"	2	5/16" or 3/8"	5/8" or 3/4"	56
CHPEA3026B3	26"	21"	17½"	2½	5/16" or 3/8"	3/4" or 7/8"	63
CHPEA3026C3	26"	21"	21"	2½	5/16" or 3/8"	3/4" or 7/8"	67
CHPEA3626B3	26"	21"	17½"	3	5/16" or 3/8"	3/4" or 7/8"	68
CHPEA3626C3	26"	21"	21"	3	5/16" or 3/8"	3/4" or 7/8"	70
CHPEA4830C3	30"	21"	21"	4	3/8"	7/8" or 1½"	76
CHPEA4830D3	30"	21"	24½"	4	3/8"	7/8" or 1½"	78
CHPEA6030D3	30"	21"	21"	5	3/8"	7/8" or 1½"	76
CHPEA6030C3	30"	21"	24½"	5	3/8"	7/8" or 1½"	78

Note: For a properly matched system and piston sizing information, refer to Daikin piston kit chart of the corresponding Daikin outdoor unit.

DIMENSIONS



CSCT— CASED HORIZONTAL INDOOR COILS

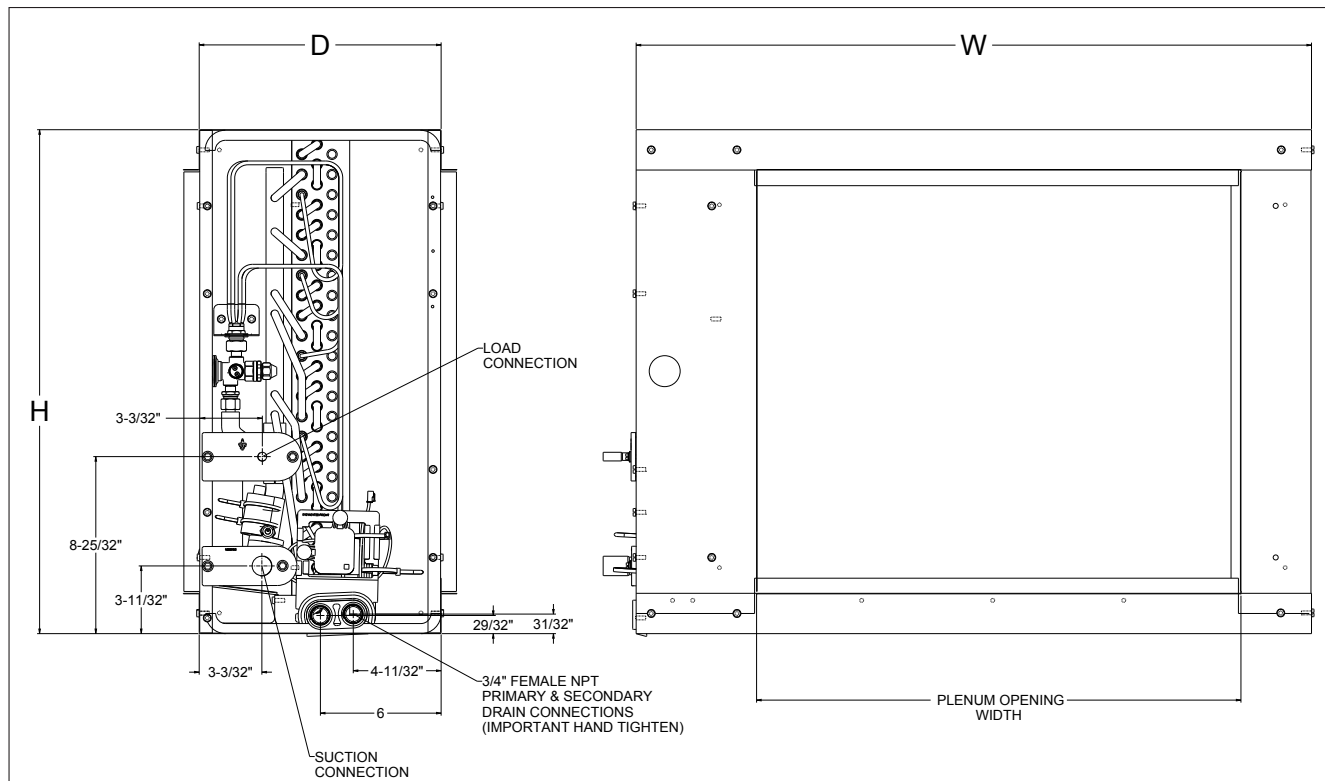


SPECIFICATIONS

MODEL	CABINET DIMENSIONS			PLENUM OPENING		NOMINAL TONS	COIL DIMENSIONS		SERVICE VALVE		SHIP WEIGHT (LBS)
	W	D	H	W	H		W	H	LIQUID	SUCTION	
CSCT2412S3	25½"	12"	25"	16"	21"	1½-2	20"	24"	¾"	¾"	35
CSCT3012M3	33½"	12"	25"	24"	21"	2-2½	28"	24"	¾"	7⁄8"	42
CSCT3612L3	39½"	12"	25"	30"	21"	2½-3	34"	24"	¾"	7⁄8"	53
CSCT6012L3	39½"	12"	25"	30"	21"	4-5	34"	24"	¾"	7⁄8"	58

Note: For a properly matched system and piston sizing information, refer to Daikin piston kit chart of the corresponding Daikin outdoor unit.

DIMENSIONS



CAUTA — Uncased with TXV

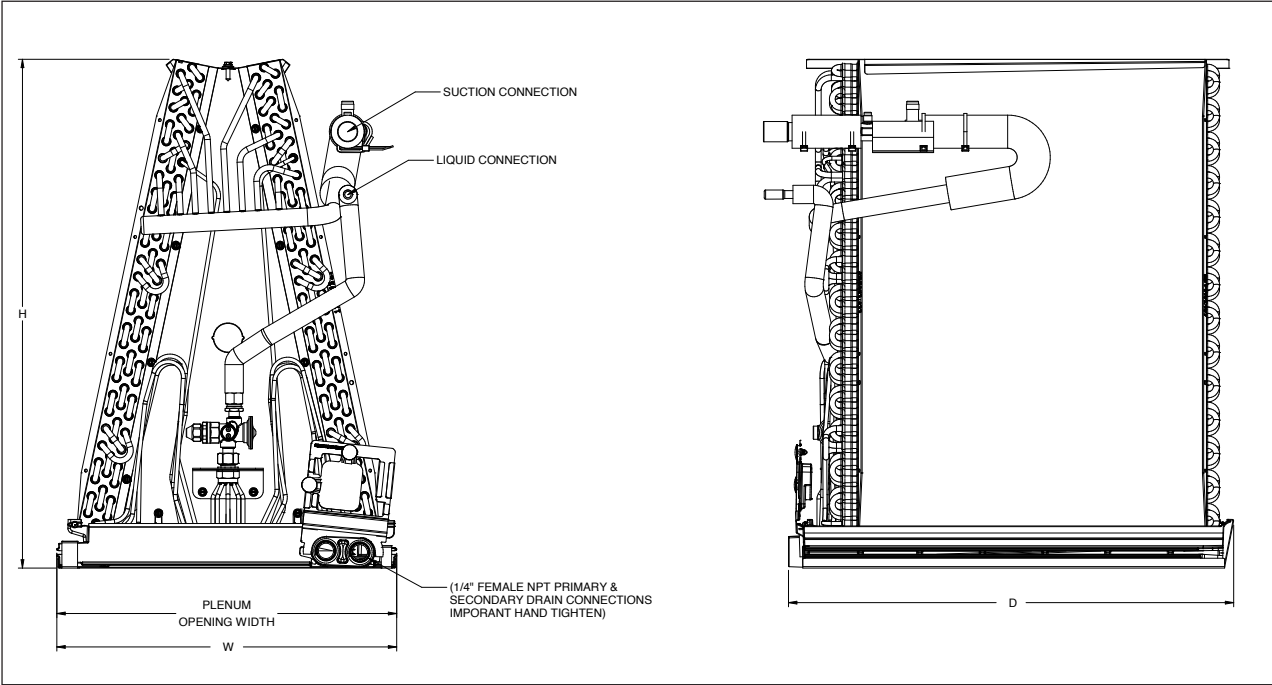


SPECIFICATIONS

MODEL	CABINET DIMENSIONS			NOMINAL TONS	CONNECTION		SHIP WEIGHT (LBS)
	W	D	H		LIQUID	SUCTION	
CAUTA1818A3	13"	21½"	15"	1½	⅜"	¼"	22
CAUTA1818B3	16½"	21½"	15"	1½	⅜"	¼"	24
CAUTA2422A3	13"	21½"	18½"	1½ - 2	⅜"	¼"	25
CAUTA2422B3	16½"	21½"	18½"	1½ - 2	⅜"	¼"	28
CAUTA2422C3	20"	21½"	18½"	1½ - 2	⅜"	¼"	30
CAUTA3022A3	13"	21½"	18½"	2 - 2½	⅜"	¼"	25
CAUTA3022B3	16½"	21½"	18½"	2 - 2½	⅜"	¼"	28
CAUTA3022C3	20"	21½"	18½"	2 - 2½	⅜"	¼"	30
CAUTA3026B3	16.5"	21½"	22½"	1½ - 2½	⅜"	⅞"	30
CAUTA3026C3	20"	21½"	22½"	1½ - 2½	⅜"	⅞"	34
CAUTA3626B3	16½"	21½"	24½"	2 - 3	⅜"	⅞"	33
CAUTA3626C3	20"	21½"	23 ⁹ / ₁₀ "	2 - 3	⅜"	⅞"	35
CAUTA4230C3	20"	21½"	27½"	2½ - 3½	⅜"	⅞"	38
CAUTA4230D3	23½"	21½"	27 ¹ / ₁₀ "	2½ - 3½	⅜"	⅞"	40
CAUTA6030C3	20"	21½"	27½"	3½ - 5	⅜"	⅞"	43
CAUTA6030D3	23½"	21½"	27½"	3½ - 5	⅜"	⅞"	46

Note: For a properly matched system and piston sizing information, refer to Daikin piston kit chart of the corresponding Daikin outdoor unit.

DIMENSIONS



AIRFLOW DATA FOR CAPTA

AIR QUANTITY (SCFM) VS. PRESSURE DROP (IN. WC)

		400	500	600	700	800	900	1000	1100	1200	1300	1400	1500	1600	1700	1800	1900	2000	2100	2200	
CAPTA1818A3**	Wet	0.080	0.135	0.205	0.275	0.346	0.422	0.516	0.620	0.715	-	-	-	-	-	-	-	-	-	-	-
	Dry	0.074	0.115	0.180	0.239	0.297	0.368	0.443	0.543	0.638	-	-	-	-	-	-	-	-	-	-	-
CAPTA1818B3**	Wet	0.067	0.106	0.165	0.215	0.261	0.317	0.372	0.425	0.482	-	-	-	-	-	-	-	-	-	-	-
	Dry	0.050	0.087	0.125	0.175	0.215	0.265	0.319	0.381	0.444	-	-	-	-	-	-	-	-	-	-	-
CAPTA2422A3**	Wet		0.108	0.150	0.195	0.250	0.310	0.379	0.460	0.543	0.625	-	-	-	-	-	-	-	-	-	-
	Dry		0.088	0.125	0.170	0.215	0.265	0.320	0.385	0.440	0.535	-	-	-	-	-	-	-	-	-	-
CAPTA2422B3**	Wet		0.090	0.130	0.150	0.220	0.250	0.310	0.369	0.436	0.508	-	-	-	-	-	-	-	-	-	-
	Dry		0.082	0.100	0.140	0.170	0.210	0.260	0.300	0.350	0.410	-	-	-	-	-	-	-	-	-	-
CAPTA2422C3**	Wet		0.091	0.110	0.139	0.172	0.205	0.245	0.285	0.335	0.387	-	-	-	-	-	-	-	-	-	-
	Dry		0.069	0.084	0.111	0.133	0.162	0.185	0.210	0.250	0.295	-	-	-	-	-	-	-	-	-	-
CAPTA3022A3**	Wet			0.150	0.195	0.250	0.310	0.379	0.460	0.543	0.625	0.730	-	-	-	-	-	-	-	-	-
	Dry			0.125	0.170	0.215	0.265	0.320	0.385	0.440	0.535	0.618	-	-	-	-	-	-	-	-	-
CAPTA3022B3**	Wet			0.130	0.150	0.220	0.250	0.310	0.369	0.436	0.508	0.584	-	-	-	-	-	-	-	-	-
	Dry			0.100	0.140	0.170	0.210	0.260	0.300	0.350	0.410	0.480	-	-	-	-	-	-	-	-	-
CAPTA3022C3**	Wet			0.110	0.139	0.172	0.205	0.245	0.285	0.335	0.387	0.437	-	-	-	-	-	-	-	-	-
	Dry			0.084	0.111	0.133	0.162	0.185	0.210	0.250	0.295	0.330	-	-	-	-	-	-	-	-	-
CAPTA3026B3**	Wet			0.115	0.150	0.190	0.229	0.270	0.310	0.365	0.420	0.475	-	-	-	-	-	-	-	-	-
	Dry			0.096	0.122	0.150	0.183	0.215	0.252	0.292	0.334	0.382	-	-	-	-	-	-	-	-	-
CAPTA3026C3**	Wet			0.090	0.110	0.140	0.170	0.200	0.240	0.280	0.320	0.370	-	-	-	-	-	-	-	-	-
	Dry			0.080	0.100	0.120	0.150	0.180	0.210	0.240	0.260	0.300	-	-	-	-	-	-	-	-	-
CAPTA3626B3**	Wet					0.134	0.167	0.204	0.245	0.290	0.338	0.389	0.444	0.485	-	-	-	-	-	-	-
	Dry					0.127	0.157	0.190	0.229	0.269	0.316	0.360	0.415	0.450	-	-	-	-	-	-	-
CAPTA3626C3**	Wet					0.100	0.120	0.150	0.180	0.210	0.240	0.280	0.310	0.360	-	-	-	-	-	-	-
	Dry					0.080	0.100	0.130	0.150	0.170	0.200	0.230	0.270	0.300	-	-	-	-	-	-	-
CAPTA4230C3**	Wet							0.130	0.150	0.180	0.210	0.250	0.280	0.310	0.340	0.378	0.414	-	-	-	-
	Dry							0.110	0.132	0.156	0.181	0.208	0.237	0.270	0.300	0.335	0.372	-	-	-	-
CAPTA4230D3**	Wet							0.120	0.140	0.160	0.190	0.220	0.250	0.280	0.310	0.350	0.380	-	-	-	-
	Dry							0.091	0.109	0.127	0.147	0.160	0.190	0.210	0.230	0.260	0.280	-	-	-	-
CAPTA6030C3**	Wet							0.150	0.174	0.210	0.240	0.270	0.310	0.350	0.400	0.440	0.490	0.540	0.600	0.660	
	Dry							0.133	0.160	0.190	0.210	0.250	0.280	0.320	0.350	0.390	0.440	0.480	0.530	0.590	
CAPTA6030D3**	Wet							0.150	0.180	0.210	0.230	0.270	0.300	0.340	0.380	0.430	0.477	0.520	-	-	-
	Dry							0.120	0.140	0.160	0.190	0.210	0.230	0.260	0.290	0.320	0.350	0.380	0.430	0.477	0.520

AIRFLOW DATA FOR CHPTA

AIR QUANTITY (SCFM) VS. PRESSURE DROP (IN. WC)

	SCFM	400	500	600	700	800	900	1000	1100	1200	1300	1400	1500	1600	1700	1800	1900	2000	2100	2200	
CHPTA1822A3**	Wet	0.095	0.151	0.215	0.284	0.354	0.429	0.519	0.601												
	Dry	0.064	0.094	0.144	0.199	0.284	0.353	0.431	0.513												
CHPTA1822B3**	Wet	0.090	0.120	0.140	0.190	0.250	0.310	0.390	0.460												
	Dry	0.080	0.110	0.130	0.180	0.230	0.290	0.360	0.430												
CHPTA2426B3**	Wet		0.130	0.150	0.180	0.204	0.255	0.304	0.365	0.419	0.468										
	Dry		0.100	0.120	0.150	0.170	0.210	0.240	0.290	0.330	0.410										
CHPTA2426C3**	Wet		0.110	0.140	0.160	0.180	0.200	0.230	0.270	0.320	0.370	0.430									
	Dry		0.090	0.110	0.130	0.150	0.190	0.220	0.260	0.300	0.350										
CHPTA3026B3**	Wet			0.110	0.150	0.180	0.230	0.280	0.320	0.370	0.430	0.490									
	Dry			0.120	0.140	0.170	0.210	0.250	0.290	0.340	0.400	0.460									
CHPTA3026C3**	Wet			0.100	0.130	0.150	0.170	0.200	0.230	0.260	0.300	0.340									
	Dry			0.060	0.080	0.110	0.130	0.150	0.174	0.198	0.229	0.259									
CHPTA3630B3**	Wet			0.150	0.187	0.229	0.279	0.323	0.372	0.430	0.465										
	Dry			0.128	0.153	0.191	0.237	0.285	0.330	0.377	0.428										
CHPTA3630C3**	Wet			0.140	0.175	0.205	0.245	0.285	0.325	0.365	0.410										
	Dry			0.086	0.105	0.135	0.155	0.185	0.210	0.245	0.279										
CHPTA4230C3**	Wet			0.140	0.175	0.205	0.245	0.285	0.325	0.365	0.410										
	Dry			0.086	0.105	0.135	0.155	0.185	0.210	0.245	0.279										
CHPTA4830C3**	Wet							0.210	0.250	0.304	0.352	0.402	0.457	0.510	0.570	0.630	0.693	0.761	0.831	0.894	
	Dry							0.163	0.194	0.226	0.263	0.297	0.337	0.381	0.420	0.470	0.520	0.580	0.630	0.690	
CHPTA6030D3**	Wet							0.161	0.189	0.221	0.254	0.292	0.332	0.370	0.413	0.461	0.502				
	Dry							0.140	0.160	0.190	0.220	0.250	0.283	0.314	0.351	0.389	0.402				

AIRFLOW DATA FOR CHPEA

AIR QUANTITY (SCFM) VS. PRESSURE DROP (IN. WC)

		300	400	500	600	700	800	900	1000	1100	1200								
CHPEA2422B3	Wet	0.057	0.103	0.158	0.22	0.291	0.371	0.453	0.532	0.625	0.697								
	Dry	0.027	0.052	0.087	0.131	0.175	0.225	0.279	0.346	0.416	0.491								
		300	400	500	600	700	800	900	1000	1100	1200	1300	1400	1500					
CHPEA3026B3	Wet	0.033	0.060	0.092	0.131	0.173	0.220	0.273	0.331	0.400	0.469	0.540	0.621	0.696					
	Dry	0.024	0.042	0.064	0.095	0.126	0.158	0.194	0.236	0.283	0.335	0.389	0.444	0.501					
CHPEA3026C3	Wet	0.032	0.061	0.087	0.119	0.148	0.184	0.222	0.277	0.323	0.361	0.415	0.468	0.500					
	Dry	0.038	0.052	0.068	0.084	0.107	0.134	0.165	0.192	0.244	0.284	0.330	0.380	0.432					
		300	400	500	600	700	800	900	1000	1100	1200	1300	1400	1500					
CHPEA3626B3	Wet	0.041	0.064	0.092	0.132	0.169	0.205	0.252	0.303	0.357	0.415	0.480	0.549	0.621					
	Dry	0.028	0.048	0.072	0.099	0.131	0.166	0.207	0.251	0.299	0.353	0.412	0.474	0.540					
CHPEA3626C3	Wet	0.040	0.061	0.083	0.110	0.141	0.171	0.195	0.233	0.272	0.314	0.357	0.401	0.444					
	Dry	0.025	0.036	0.052	0.069	0.088	0.106	0.126	0.155	0.186	0.221	0.255	0.286	0.326					
		300	400	500	600	700	800	900	1000	1100	1200	1300	1400	1500	1600	1700	1800	1900	2000
CHPEA4830C3	Wet	0.042	0.071	0.097	0.128	0.154	0.194	0.230	0.260	0.300	0.343	0.390	0.433	0.483	0.529	0.589	0.627	0.676	0.730
	Dry	0.019	0.031	0.044	0.059	0.077	0.099	0.123	0.153	0.181	0.211	0.247	0.283	0.321	0.362	0.404	0.451	0.496	0.546
CHPEA4830D3	Wet	0.036	0.058	0.081	0.112	0.143	0.171	0.204	0.238	0.277	0.319	0.363	0.410	0.447	0.491	0.537	0.582	0.618	0.662
	Dry	0.016	0.024	0.034	0.047	0.061	0.077	0.095	0.114	0.135	0.156	0.182	0.208	0.236	0.268	0.300	0.332	0.366	0.400
		300	400	500	600	700	800	900	1000	1100	1200	1300	1400	1500	1600	1700	1800	1900	2000
CHPEA6030C3	Wet	0.043	0.069	0.105	0.148	0.188	0.226	0.265	0.312	0.366	0.428	0.489	0.548	0.605	0.654	0.700	0.760	0.820	0.860
	Dry	0.019	0.031	0.044	0.059	0.077	0.099	0.123	0.153	0.181	0.211	0.247	0.283	0.321	0.362	0.404	0.451	0.496	0.546
CHPEA6030D3	Wet	0.019	0.039	0.068	0.096	0.126	0.154	0.205	0.253	0.305	0.347	0.406	0.453	0.500	0.534	0.588	0.632	0.677	0.729
	Dry	0.016	0.024	0.034	0.047	0.061	0.077	0.095	0.114	0.135	0.156	0.182	0.208	0.236	0.268	0.300	0.332	0.366	0.400

AIRFLOW DATA FOR CSCT

AIR QUANTITY (SCFM) VS. PRESSURE DROP (IN. WC)

	SCFM	500	600	700	800	900	1000	1100	1200	1300	1400	1500	1600	1700	1800	1900	2000	2100	2200	
CSCT2412S3	Wet	0.104	0.143	0.176	0.212	0.255	0.292	0.321	0.344											
	Dry	0.048	0.067	0.086	0.108	0.132	0.159	0.186	0.206											
CSCT3012M3	Wet	---	---	0.062	0.076	0.092	0.109	0.131	0.156	0.186	0.209									
	Dry	---	---	0.032	0.043	0.055	0.068	0.082	0.099	0.114	0.131									
CSCT3612L3	Wet	---	---	---	0.045	0.063	0.081	0.099	0.116	0.132	0.148	0.166	0.183	0.202	0.220	0.236	0.259	0.278	0.291	
	Dry	---	---	---	0.039	0.051	0.064	0.077	0.092	0.105	0.121	0.138	0.150	0.175	0.191	0.214	0.230	0.251	0.262	
CSCT6012L3	Wet	---	---	---	0.051	0.068	0.085	0.103	0.120	0.137	0.154	0.173	0.192	0.212	0.233	0.255	0.278	0.299	0.319	
	Dry	---	---	---	0.043	0.056	0.069	0.084	0.099	0.115	0.132	0.149	0.167	0.185	0.207	0.227	0.249	0.272	0.282**	

** Maximum SCFM=2146

AIRFLOW DATA FOR CAUTA

AIR QUANTITY (SCFM) VS. PRESSURE DROP (IN. WC)

	SCFM	400	500	600	700	800	900	1000	1100	1200	1300	1400	1500	1600	1700	1800	1900	2000	2100	2200	
CAUTA1818A3**	Wet	0.080	0.135	0.205	0.275	0.346	0.422	0.516	0.620	0.715	-	-	-	-	-	-	-	-	-	-	-
	Dry	0.074	0.115	0.180	0.239	0.297	0.368	0.443	0.543	0.638	-	-	-	-	-	-	-	-	-	-	-
CAUTA1818B3**	Wet	0.067	0.106	0.165	0.215	0.261	0.317	0.372	0.425	0.482	-	-	-	-	-	-	-	-	-	-	-
	Dry	0.050	0.087	0.125	0.175	0.215	0.265	0.319	0.381	0.444	-	-	-	-	-	-	-	-	-	-	-
CAUTA2422A3**	Wet	0.108	0.150	0.195	0.250	0.310	0.379	0.460	0.543	0.625	-	-	-	-	-	-	-	-	-	-	-
	Dry	0.088	0.125	0.170	0.215	0.265	0.320	0.385	0.440	0.535	-	-	-	-	-	-	-	-	-	-	-
CAUTA2422B3**	Wet	0.090	0.130	0.150	0.220	0.250	0.310	0.369	0.436	0.508	-	-	-	-	-	-	-	-	-	-	-
	Dry	0.082	0.100	0.140	0.170	0.210	0.260	0.300	0.350	0.410	-	-	-	-	-	-	-	-	-	-	-
CAUTA2422C3**	Wet	0.091	0.110	0.139	0.172	0.205	0.245	0.285	0.335	0.387	-	-	-	-	-	-	-	-	-	-	-
	Dry	0.069	0.084	0.111	0.133	0.162	0.185	0.210	0.250	0.295	-	-	-	-	-	-	-	-	-	-	-
CAUTA3022A3**	Wet	0.150	0.195	0.250	0.310	0.379	0.460	0.543	0.625	0.730	-	-	-	-	-	-	-	-	-	-	-
	Dry	0.125	0.170	0.215	0.265	0.320	0.385	0.440	0.535	0.618	-	-	-	-	-	-	-	-	-	-	-
CAUTA3022B3**	Wet	0.130	0.150	0.220	0.250	0.310	0.369	0.436	0.508	0.584	-	-	-	-	-	-	-	-	-	-	-
	Dry	0.100	0.140	0.170	0.210	0.260	0.300	0.350	0.410	0.480	-	-	-	-	-	-	-	-	-	-	-
CAUTA3022C3**	Wet	0.110	0.139	0.172	0.205	0.245	0.285	0.335	0.387	0.437	-	-	-	-	-	-	-	-	-	-	-
	Dry	0.084	0.111	0.133	0.162	0.185	0.210	0.250	0.295	0.330	-	-	-	-	-	-	-	-	-	-	-
CAUTA3026B3**	Wet	0.115	0.150	0.190	0.229	0.270	0.310	0.365	0.420	0.475	-	-	-	-	-	-	-	-	-	-	-
	Dry	0.096	0.122	0.150	0.183	0.215	0.252	0.292	0.334	0.382	-	-	-	-	-	-	-	-	-	-	-
CAUTA3026C3**	Wet	0.090	0.110	0.140	0.170	0.200	0.240	0.280	0.320	0.370	-	-	-	-	-	-	-	-	-	-	-
	Dry	0.080	0.100	0.120	0.150	0.180	0.210	0.240	0.260	0.300	-	-	-	-	-	-	-	-	-	-	-
CAUTA3626B3**	Wet	0.134	0.167	0.204	0.245	0.290	0.338	0.389	0.444	0.485	-	-	-	-	-	-	-	-	-	-	-
	Dry	0.127	0.157	0.190	0.229	0.269	0.316	0.360	0.415	0.450	-	-	-	-	-	-	-	-	-	-	-
CAUTA3626C3**	Wet	0.100	0.120	0.150	0.180	0.210	0.240	0.280	0.310	0.360	-	-	-	-	-	-	-	-	-	-	-
	Dry	0.080	0.100	0.130	0.150	0.170	0.200	0.230	0.270	0.300	-	-	-	-	-	-	-	-	-	-	-
CAUTA4230C3**	Wet	0.130	0.150	0.180	0.210	0.250	0.280	0.310	0.350	0.380	-	-	-	-	-	-	-	-	-	-	-
	Dry	0.110	0.132	0.156	0.181	0.208	0.237	0.270	0.300	0.335	-	-	-	-	-	-	-	-	-	-	-
CAUTA4230D3**	Wet	0.120	0.140	0.160	0.190	0.220	0.250	0.280	0.310	0.350	-	-	-	-	-	-	-	-	-	-	-
	Dry	0.091	0.109	0.127	0.147	0.160	0.190	0.210	0.230	0.260	-	-	-	-	-	-	-	-	-	-	-
CAUTA6030C3**	Wet	0.150	0.174	0.210	0.240	0.270	0.310	0.350	0.400	0.440	-	-	-	-	-	-	-	-	-	-	-
	Dry	0.133	0.160	0.190	0.210	0.250	0.280	0.320	0.350	0.400	-	-	-	-	-	-	-	-	-	-	-
CAUTA6030D3**	Wet	0.150	0.180	0.210	0.230	0.270	0.300	0.340	0.380	0.430	-	-	-	-	-	-	-	-	-	-	-
	Dry	0.120	0.140	0.160	0.190	0.210	0.230	0.260	0.290	0.320	-	-	-	-	-	-	-	-	-	-	-

ACCESSORIES

HIGH-TEMP DRAIN PAN KITS FOR CAPFA, CAPTA & CAUTA

DRAIN PAN KITS	FURNACE SIZE
HTP7-A	14" Furnaces
<i>coming soon</i>	17½" Furnaces
HTP7-C	21" Furnaces
HTP7-D	24½" Furnaces

DRAIN PAN INSULATION KITS FOR CAPFA, CAPTA, CAPEA & CAUTA

KIT NUMBER	CABINET WIDTH
DPICX-AB	14"
DPICX-BB	17½"
DPICX-CB	21"
DPICX-DB	24½"
DPICX-DC (Use only for CAPTA6030D3, CAPFA6030D3 and CAUTA6030D3)	24½"

UV-C PART NUMBERS

MODELS	LAMP
UC18S15-24	UCP-16013
UC18S15-24B	UCP-16012

HORIZONTAL RIGHT COIL ACCESSORY FOR HIGH HUMIDITY ENVIRONMENT FOR CHPTA & CHPEA

DRAIN PAN KITS	FURNACE SIZE
HHCMK01	All Horizontal cabinets

R32 ACCESSORY KIT FOR NON-A2L FURNACE FOR CAPFA, CAPTA, CHPTA, CSCT, CAPEA, CHPEA, CSCT & CAUTA

KIT NUMBER	FURNACE TYPE
0230K00044	Non-A2L furnaces

R32 ZONING ACCESSORY KIT FOR CAPFA, CAPTA, CHPTA, CSCT, CAPEA, CHPEA & CAUTA

KIT NUMBER	MODELS
0230K00007	All CAPTA, CHPTA, CHPEA, CAPEA, CAPFA, CAUTA and CSCT

DOWNFLOW KITS FOR CAPEA

KIT NUMBER	MODELS
DFKE-02	CAPEA4830C3, D3 CAPEA6030C3, D3

NOTES
