

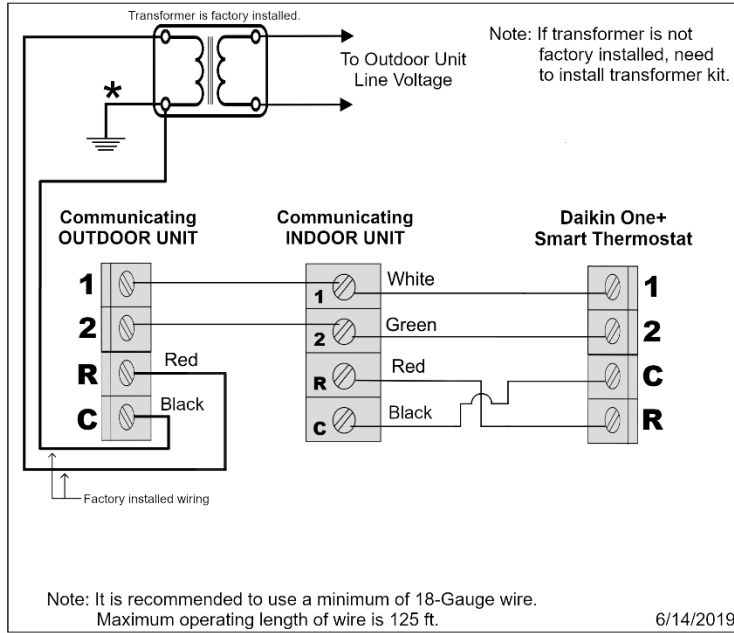


DAIKIN **ONE+**  
SMART THERMOSTAT

## DAIKIN ONE+ Wiring Diagram

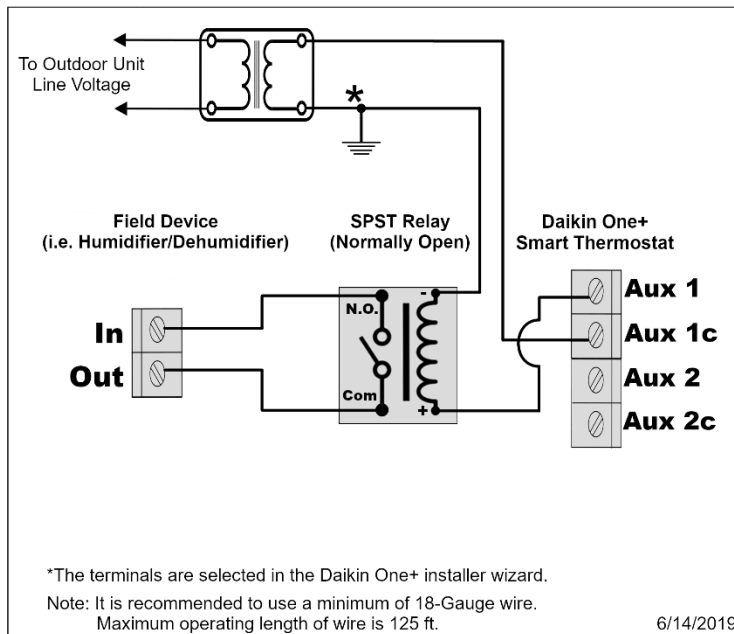
Ver.	Date	Changes
1.0	6/17/2019	Support ClimateTalk Unitary Communicating Equipment, including FIT

## Communicating 2 Stage Heat Pump or A/C System



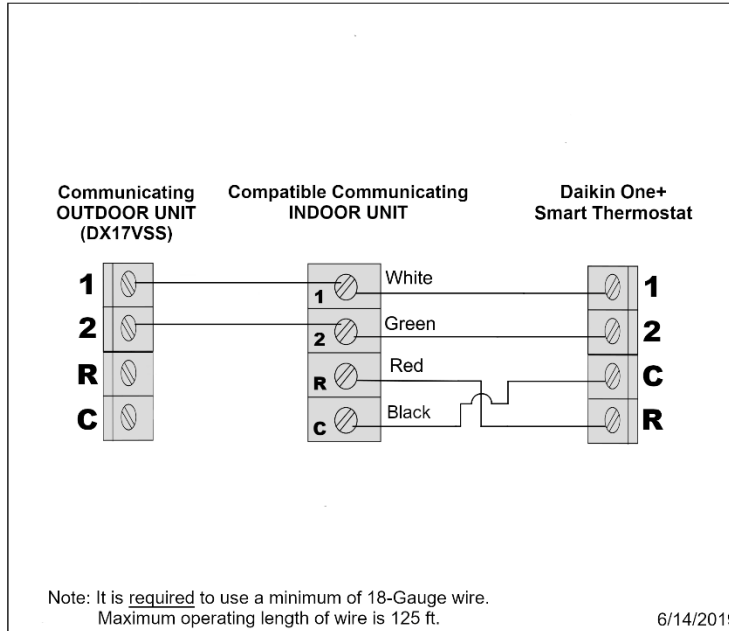
## Accessory Hookup to Daikin One+ Smart Thermostat.

Two accessories can be connected to either pair (Aux 1/1c or Aux 2/2c) of terminals\*.



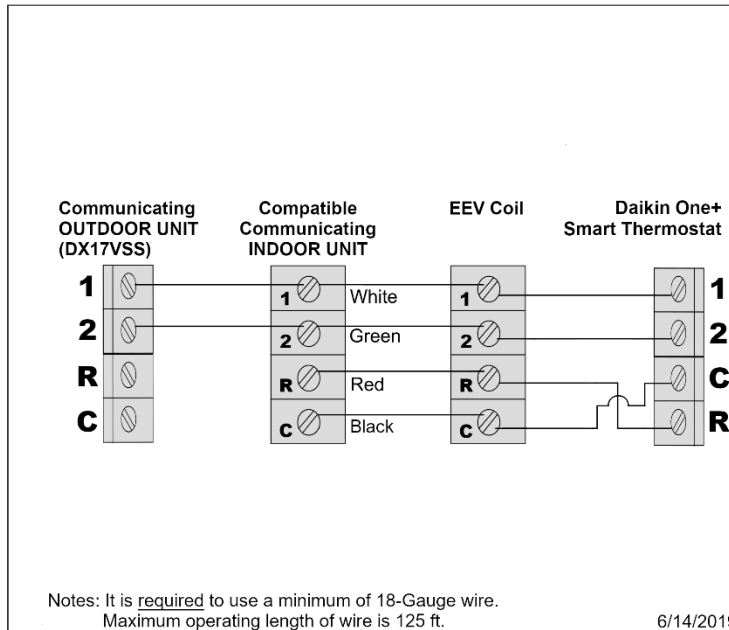
## Communicating FIT System with AHU

Plug & Play System; Only four wires required to connect each component



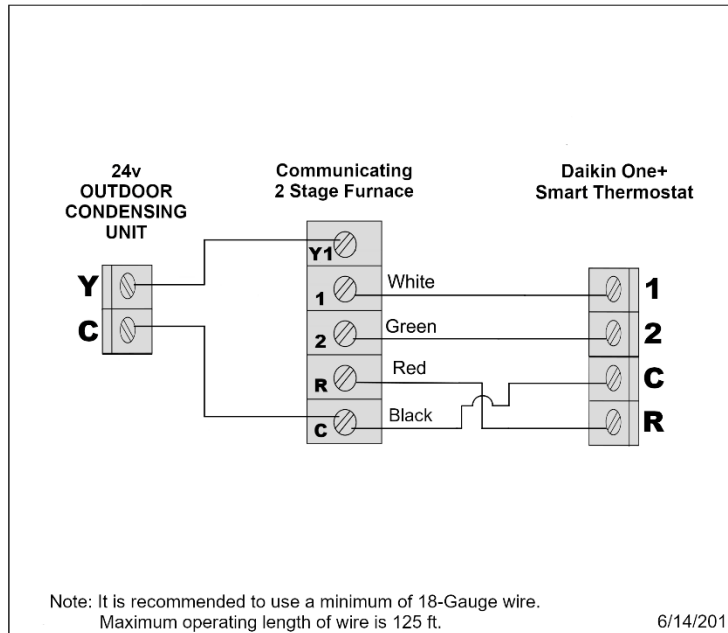
## Communicating FIT System with Coil

Plug & Play System; Only four wires required to connect each component.



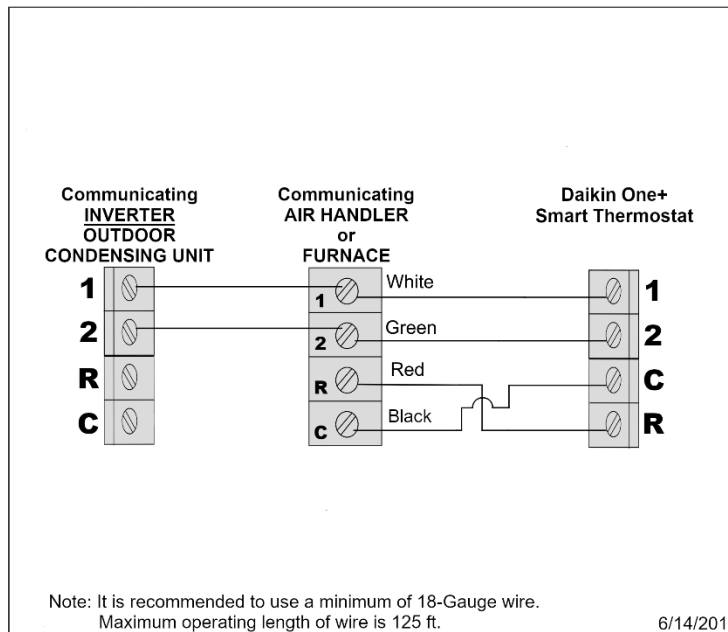
## Communicating Furnace with 24v Legacy Air Conditioner

Four wires are required from the Daikin One+ to the Communicating furnace.  
Two wires are required to the 24v air conditioner.



## Communicating INVERTER Heat Pump or A/C System

Two wires connect the outdoor unit to the air handler or furnace and four wires connect the air handler or furnace to the Daikin One+.



**Disclaimer:** Daikin North America LLC reserves the right to discontinue or change at any time, specifications or designs without notice or without incurring obligations