



Submittal Data Sheet

DTST-LTE-LA-A Daikin One Lite Smart Thermostat for Mini-Split, and Multi-Split Units

Project Name: _____	Approval: _____
Location: _____	Date: _____
Engineer: _____	Construction: _____
Submitted to: _____	Unit #: _____
Submitted by: _____	Drawing #: _____
Reference: _____	

MODEL COMPATIBILITY:

Compatible with Single-Zone and Multi-Zone indoor unit models: CDXS(discontinued), CTXS*, FDXS(discontinued), FTK*, FTXB*, FTX*, FTXM, FTXR, FTXS, FVXS, FTK_BXVJU, FTKB_BXVJU, FTXB_BXVJU, FTXCxxAXVJU, FTKFxxAXVJU & FTXFxx, FTXNG

*Not compatible with FTK_AXVJU, FTX_AXVJU, FTKB_AXVJU, FTXB_AXVJU, CTX_AXVJU

The following indoor units do not have the S21 connection and require an additional interface adaptor (ordered separately) to provide the S21 connect for the One Lite communication:

Indoor Unit Models	Required Interface Adaptor
FTX09NMVJU(A), FTX12NMVJU(A), FTX09WMVJU9, FTX12WMVJU9	KRP067A41E
FTX15NMVJU(A), FTX15WMVJU9	KRP980B2E

SPECIFICATIONS:

Model		DTST-LTE-LA-A
Description		Daikin One Lite Smart Thermostat for Mini-Split and Multi-Split Units
Maximum Connections		1 for S21 indoor units (cannot use together with another wireless remote controller or wired remote controller)
Max Wiring Length	Power Wire	5.5 ft (included)
	Thermostat Wire	125 ft (Field-supplied, 18AWG, 4-core non-shielded stranded wire)
	S21 Communication Wire	6 ft (included)
Power Supply	Thermostat	Obtained from the translation adaptor
	Translation Adaptor	230 VAC
Dimensions	Thermostat	3.3"W x 3.3"H x 1.04"D
	Translation Adaptor	7.33"W x 2.0"H x 1.99"D
Weight	Thermostat	4 oz
	Translation Adaptor	9 oz
Storage Temperature		32°F to 120°F
Ambient Operation Temperature	Thermostat	32°F to 120°F
	Translation Adaptor	32°F to 120°F
Humidity		20 to 95% RH (non-condensing)
Compliance		Compliant to California Title 24 (OCST listed), FCC Certified (FCC Part 15 subpart B), UL Listed

PRODUCT IMAGE:



Daikin North America LLC, 5151 San Felipe, Suite 500, Houston TX, 77056
www.daikinac.com www.daikincity.com

(Daikin's products are subject to continuous improvements. Daikin reserves the right to modify product design, specifications and information in this data sheet without notice and without incurring any obligations)

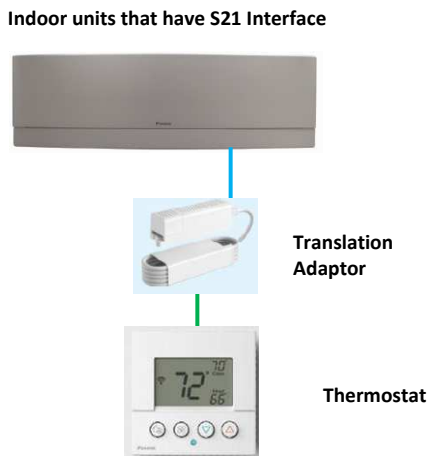
Project Name:	Approval:
Location:	Date:
Engineer:	Construction:
Submitted to:	Unit #:
Submitted by:	Drawing #:
Reference:	

FEATURES:

- Compact, non-intrusive design suitable for most interior environments
- Multifunction push buttons labeled for mode, fan, setpoint up, set point down
- Wifi-enabled smart thermostat with iOS and Android app control
- Voice control by Amazon Alexa and Google Assistant
- Installer wizard app available (recommended). Set up using buttons is possible, but not recommended
- Multi-language support: English, Spanish, French (Daikin One Home app only)
- Built-in temperature and humidity sensors
- 1 Auxiliary Heat output (dry contact), configurable as primary or secondary heat source
- Over-the-air software update capable (requires wi-fi connection)
- Indoor unit Control: Mode (Auto/Heat/Cool/Aux Heat/Emergency Heat), Setpoint (Dual/Single), Fan Speed, Louver, Fan On/Auto (with minimum run time)
- LED Mode indicator for heating and cooling
- Dehumidification function
- Error and maintenance notification
- Programmable schedule with adjustable hold function
- Energy and comfort functions: Vacation/Away/Night mode, and geo-fencing
- Outdoor environment monitoring: outdoor temperature, outdoor humidity, and weather forecast (on homeowner app only)
- Compatible Daikin One Cloud Services

SYSTEM DIAGRAM:

For S21 indoor units (CDXS(discontinued), CTXS*, FDXS (discontinued), FTK*, FTXB*, FTX*, FTXM, FTXR, FTXS, FVXS, FTXNG) (*see exceptions on page 1):



Daikin North America LLC, 5151 San Felipe, Suite 500, Houston TX, 77056
www.daikinac.com www.daikincity.com

(Daikin's products are subject to continuous improvements. Daikin reserves the right to modify product design, specifications and information in this data sheet without notice and without incurring any obligations)



Submittal Data Sheet

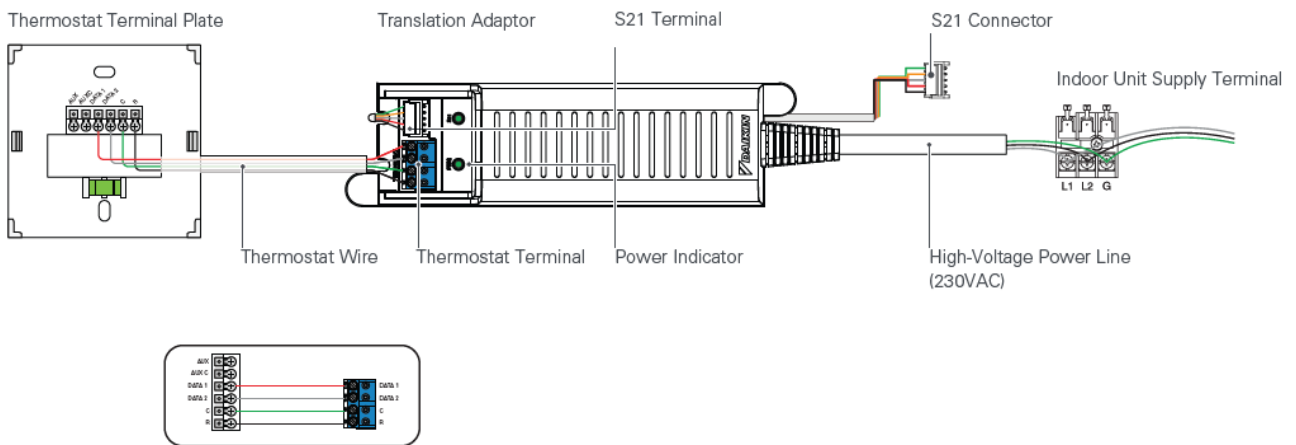
DTST-LTE-LA-A Daikin One Lite Smart Thermostat for Mini-Split, and Multi-Split Units

Project Name: _____
 Location: _____
 Engineer: _____
 Submitted to: _____
 Submitted by: _____
 Reference: _____

Approval: _____
 Date: _____
 Construction: _____
 Unit #: _____
 Drawing #: _____

WIRING DIAGRAM:

For S21 indoor units (CDXS (discontinued), CTXS*, FDXS (discontinued), FTK*, FTXB*, FTX*, FTXM, FTXR, FTXS, FVXS)
 (*see exceptions on page 1):



Note:
 Wires should match up on thermostat terminal plate and thermostat terminal

Daikin North America LLC, 5151 San Felipe, Suite 500, Houston TX, 77056
www.daikinac.com www.daikincity.com

(Daikin's products are subject to continuous improvements. Daikin reserves the right to modify product design, specifications and information in this data sheet without notice and without incurring any obligations)



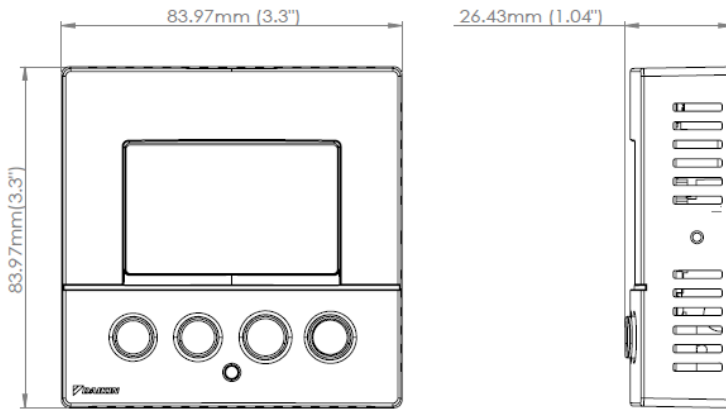
Submittal Data Sheet

DTST-LTE-LA-A Daikin One Lite Smart Thermostat
for Mini-Split, and Multi-Split Units

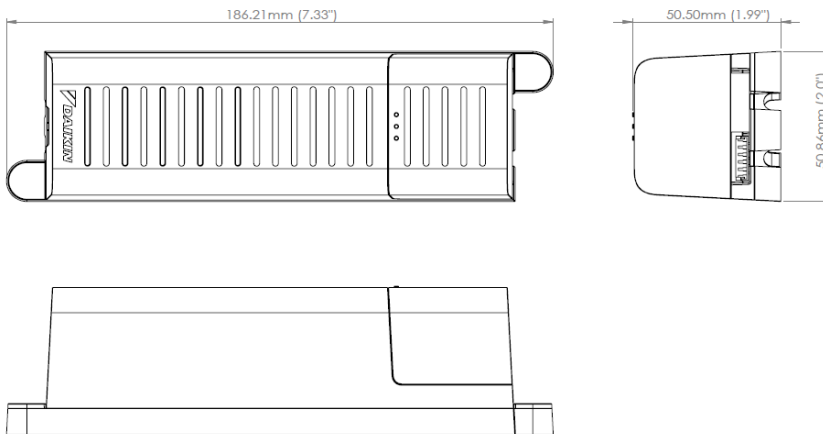
Project Name:	_____	Approval:	_____
Location:	_____	Date:	_____
Engineer:	_____	Construction:	_____
Submitted to:	_____	Unit #:	_____
Submitted by:	_____	Drawing #:	_____
Reference:	_____		

DIMENSIONS:

- Thermostat:



- Translation Adaptor:



DOCUMENTATION:

Documentation available on www.daikinone.com:

- Submittal
- Installation Manual
- Product Flyer

Daikin North America LLC, 5151 San Felipe, Suite 500, Houston TX, 77056

www.daikinac.com www.daikincity.com

(Daikin's products are subject to continuous improvements. Daikin reserves the right to modify product design, specifications and information in this data sheet without notice and without incurring any obligations)