



## WARNING

Only personnel that have been trained to install, adjust, service or repair (hereinafter, "service") the equipment specified in this manual should service the equipment. Daikin will not be responsible for any injury or property damage arising from improper service or service procedures. If you service this unit, you assume responsibility for any injury or property damage which may result. In addition, in jurisdictions that require one or more licenses to service the equipment specified in this manual, only licensed personnel should service the equipment. Improper installation, adjustment, servicing or repair of the equipment specified in this manual, or attempting to install, adjust, service or repair the equipment specified in this manual without proper training may result in product damage, property damage, personal injury or death.

## PROP 65 WARNING FOR CALIFORNIA CONSUMERS



## WARNING

Cancer and Reproductive Harm -  
[www.P65Warnings.ca.gov](http://www.P65Warnings.ca.gov)



\* Complete warranty details available from your local dealer or online at [www.daikincomfort.com](http://www.daikincomfort.com). To receive the 12-Year Unit Replacement Limited Warranty or the 12-Year Parts Limited Warranty, online registration must be completed within 60 days of installation. Online registrations is not required in California or Québec. The duration of warranty coverage in Texas and Florida differs in some cases.

**Description**

The Daikin *One* Premium Air Cleaner is an in-line air cleaner that treats home air for airborne particulate matter and chemicals found in the home. The high efficiency MERV 15 media filter removes more than 85% of particles down to 0.3 microns in size at rated flow. The Daikin *One* Premium Air Cleaner also includes a room temperature catalyst (RTC) insert that helps remove formaldehyde and ozone from the air stream.

- Intuitively designed with outer dimensions that match original equipment furnace and air handler cabinets for quick installation

	Furnaces	Air Handlers
Air Cleaner Model #	DV1-15-2814-FA	DV1-15-2117-AB
	DV1-15-2817-FB	DV1-15-2121-AC
	DV1-15-2821-FC	DV1-15-2124-AD
	DV1-15-2824-FD	

**Standard Features**

- Magnetic door design ensures tool-less, easy access to filter components for quick and easy filter changes
- Insulated cabinet to reduce risk of condensation.
- The new Daikin *One* Premium Air Cleaner contains a MERV 15 media filter that removes more than 85% of particles down to 0.3 microns\*\*
- Pleated media filter removes over 98% of *Aspergillus fumigatus*, *Aspergillus versicolor*, and *Stachybotrys chartarum* from the airstream\*\*
- Pleated media filter removes over 99% of Ragweed, over 72% of Cat Dander, and over 73% of Dust Mites from the airstream\*\*
- Extra deep, 5¼" pleated filter constructed of cellulose-free, hydrophobic polyolefin fibers
- Designed for multi-position horizontal or vertical installations
- Filter design features a structured density gradient for sustained efficiency over the life of the filter
- Room Temperature Catalyst: Helps remove formaldehyde and ozone
- Filter has a tight cabinet fit ensuring negligible air bypass
- Filter frame designed with dual pull tabs for easy removal
- Fully gasketed door for proper air seal
- Heavy duty, 20 gauge, post-forming painted, corrosion-resistant door
- All cabinet mounting holes are slotted and designed to line-up with original equipment flanges for time-saving installation
- Filter should be changed once or twice a year based on conditions within the home

\*\* Independent testing performed by LMS Technologies, Inc. Specification values may vary due to individual systems.

Specifications							
Model	DV1-15-2117-AB	DV1-15-2121-AC	DV1-15-2124-AD	DV1-15-2814-FA	DV1-15-2817-FB	DV1-15-2821-FC	DV1-15-2824-FD
<b>Airflow - up to maximum rated flow</b>	Up to 1200 cfm (2039 m3/h)	Up to 1600 cfm (2718 m3/h)	Up to 1800 cfm (3058 m3/h)	Up to 1200 cfm (2039 m3/h)	Up to 1600 cfm (2718 m3/h)	Up to 2000 cfm (3398 m3/h)	Up to 2000 cfm (3398 m3/h)
<b>Duct Size</b>	21 x 17 in (53 x 43 cm)	21 x 21 in (53 x 53 cm)	21 x 24 in (53 x 61 cm)	28 x 14 in (71 x 36 cm)	28 x 17 in (71 x 43 cm)	28 x 21 in (71 x 53 cm)	28 x 24 in (71 x 61 cm)
<b>Pressure Drop* (MERV 15 Filter Only)</b>	0.09 in. w.g. @ 600 cfm	0.09 in. w.g. @ 800 cfm	0.09 in. w.g. @ 900 cfm	0.08 in. w.g. @ 600 cfm	0.08 in. w.g. @ 800 cfm	0.08 in. w.g. @ 1000 cfm	0.06 in. w.g. @ 1000 cfm
	0.26 in. w.g. @ 1200 cfm	0.29 in. w.g. @ 1600 cfm	0.25 in. w.g. @ 1800 cfm	0.25 in. w.g. @ 1200 cfm	0.24 in. w.g. @ 1600 cfm	0.22 in. w.g. @ 2000 cfm	0.17 in. w.g. @ 2000 cfm
<b>MERV Rating*</b>	15	15	15	15	15	15	15
<b>Total Pressure Drop* (MERV 15 &amp; RTC Filters Only)</b>	0.11 in. w.g. @ 600 cfm	0.12 in. w.g. @ 800 cfm	0.11 in. w.g. @ 900 cfm"	0.11 in. w.g. @ 600 cfm	0.10 in. w.g. @ 800 cfm	0.10 in. w.g. @ 1000 cfm	0.08 in. w.g. @ 1000 cfm
	0.36 in. w.g. @ 1200 cfm	0.39 in. w.g. @ 1600 cfm	0.33 in. w.g. @ 1800 cfm	0.35 in. w.g. @ 1200 cfm	0.32 in. w.g. @ 1600 cfm	0.28 in. w.g. @ 2000 cfm	0.22 in. w.g. @ 2000 cfm

**Notes:**

1. Installation with units with ECM motors recommended.
2. Two filters should be considered for any airflow rates above maximum rated flow or when duct pressure loss is excessive.
3. Room Temperature Catalyst (RTC) filter can be removed if total system pressure drop is excessive.
4. Furnace Risers are recommended to be used in furnace applications to expand filtered airflow and minimize pressure drop.

Furnace Size	A	B	C	D
Furnace Riser	AMP-BSRB1428	AMP-BSRB1728	AMP-BSRB2128	AMP-BSRB2428

When using a furnace riser use DV1-15-2824-FD on all size furnaces

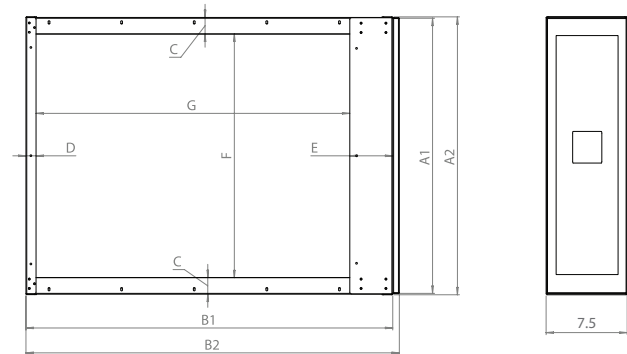
MERV Rating 15 - Minimum Filtration Efficiency @492 fpm: • E1 85% (0.3 - 1.0 micron) • E2 90% (1.0 - 3.0 micron) • E3 95% (3.0 - 10.0 micron)

\*Independent testing performed by LMS Technologies, Inc. Specification values may vary due to individual systems.



Furnace Riser

Dimensions (in)								
MODEL	A	B1	B2	C	D	E	F	G
DV1-15-2117-AB	17.5	21.1	21.7	1.4	0.8	1.3	14.7	19.4
DV1-15-2121-AC	21.0	21.1	21.7	1.4	0.8	1.3	18.2	19.4
DV1-15-2124-AD	24.5	21.1	21.7	1.4	0.8	1.3	21.7	19.4
DV1-15-2814-FA	14.0	28.0	28.6	0.8	0.8	3.8	12.5	23.9
DV1-15-2817-FB	17.5	28.0	28.6	0.8	0.8	3.8	16.0	23.9
DV1-15-2821-FC	21.0	28.0	28.6	0.8	0.8	3.8	19.5	23.9
DV1-15-2824-FD	24.5	28.0	28.6	0.8	0.8	3.8	23.0	23.9



### Replacement Filters

Air Cleaner Model <sup>(1)</sup>	Replacement MERV15 Filter <sup>(2)</sup>	Replacement Room Temperature Catalyst (RTC)
DV1-15-2117-AB	0160M00013	DVFC-AB
DV1-15-2121-AC	0160M00014	DVFC-AC
DV1-15-2124-AD	0160M00015	DVFC-AD
DV1-15-2814-FA	0160M00016	DVFC-FA
DV1-15-2817-FB	0160M00017	DVFC-FB
DV1-15-2821-FC	0160M00018	DVFC-FC
DV1-15-2824-FD	0160M00019	DVFC-FD

Filter should be changed once or twice a year based on conditions within the home. RTC should be changed once every six months based on conditions within the home.

<sup>(1)</sup>EPA EST. NO. 073316-TEX-001 • <sup>(2)</sup>EPA EST. NO. 71027-MEX-001

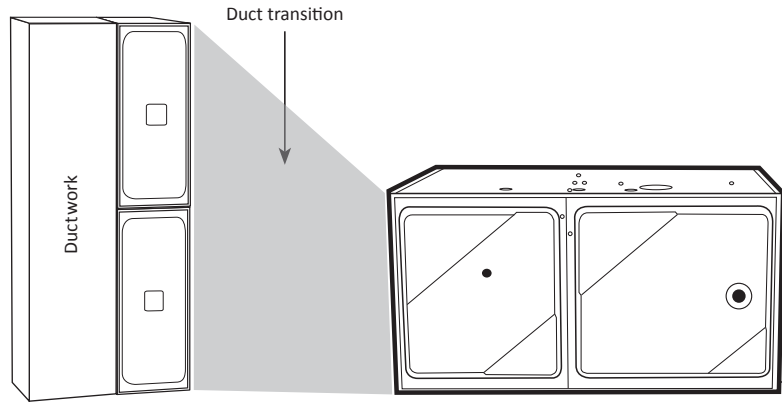
### Filter Match-up Options

Air Handler Filter Options		
Air Handler Size	Bottom/Top Return	Plenum Return
B	21x17	21x21
C	21x21	21x24
D	21x24	21x24

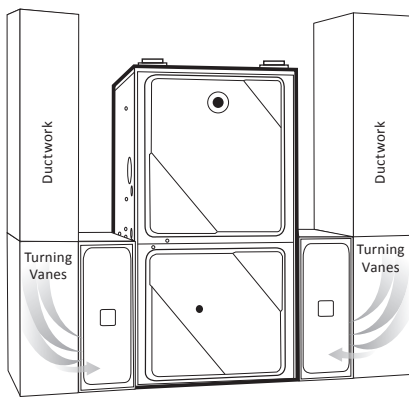
Furnace Filter Options			
Furnace Size	Bottom/Top Return	Side Return	Side Return with Furnace Riser
A	28x14	28x17	28x24
B	28x17	28x17	28x24
C	28x21	(2) 28x17	28x24
D	28x24	(2) 28x17	28x24

# Daikin One Premium Air Cleaner

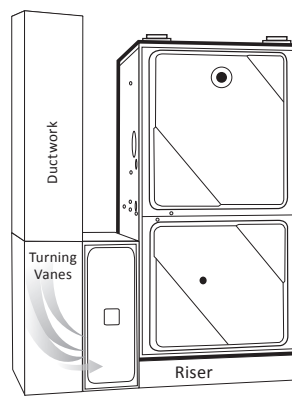
NOTE: Not all installation options are included below.



Duct transition for side flow dual filter installation furnace/air handler application



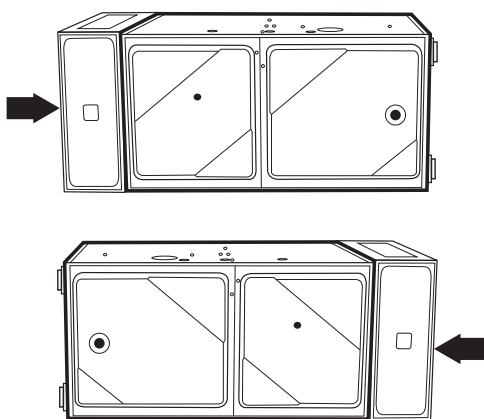
Dual filter furnace application, side return (For any side return on a furnace without a furnace riser, use one DV1-15-2817-FB on A & B or two DV1-15-2817-FB on C & D furnace sizes)



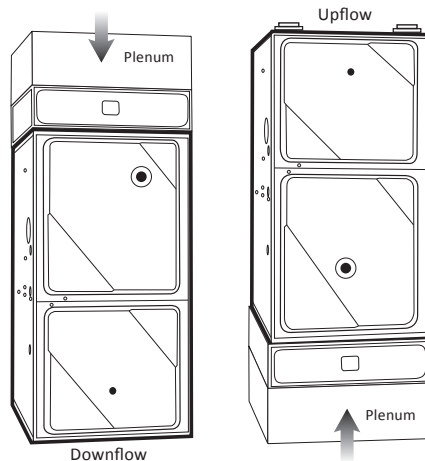
Single filter furnace application, side return with furnace riser (When using a furnace riser, use DV1-15-2824-FD on all furnace sizes)



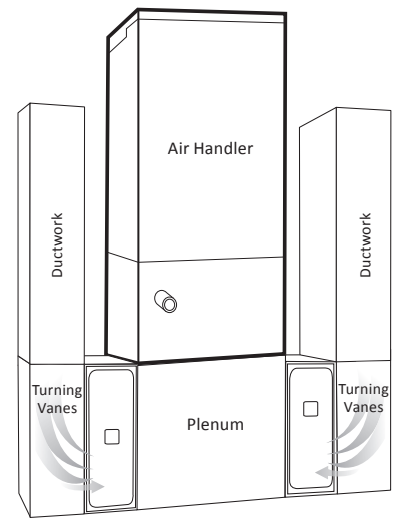
Furnace Riser



HL/HR furnace/air handler application



Upflow/downflow furnace/air handler application



Dual filter air handler application

Daikin Comfort Technologies Manufacturing, L.P. preserves the right to discontinue or change at any time, specifications or designs without notice or without incurring obligations. Performance of the Air Cleaners will depend on house plan design, duct design and heating/cooling equipment.