



*R-32 MULTI-POSITION, VARIABLE-SPEED,
ECM-BASED AIR HANDLER
WITH INTERNAL TXV
COMMUNICATING
1½ TO 5 TONS*

■ **Contents**

Air Handler Nomenclature.....	2
Heater Kit Nomenclature.....	2
Product Specifications.....	3
Dimensions.....	4
Airflow Data.....	5
Heat Kit Data.....	7
Wiring Diagram.....	8
Accessories.....	10

R32

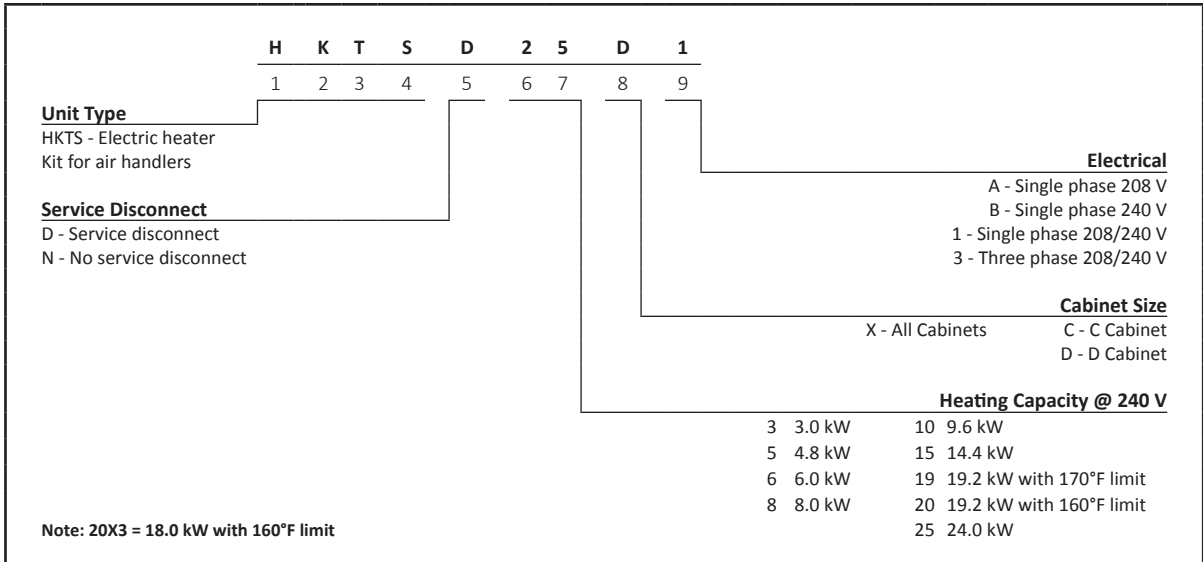
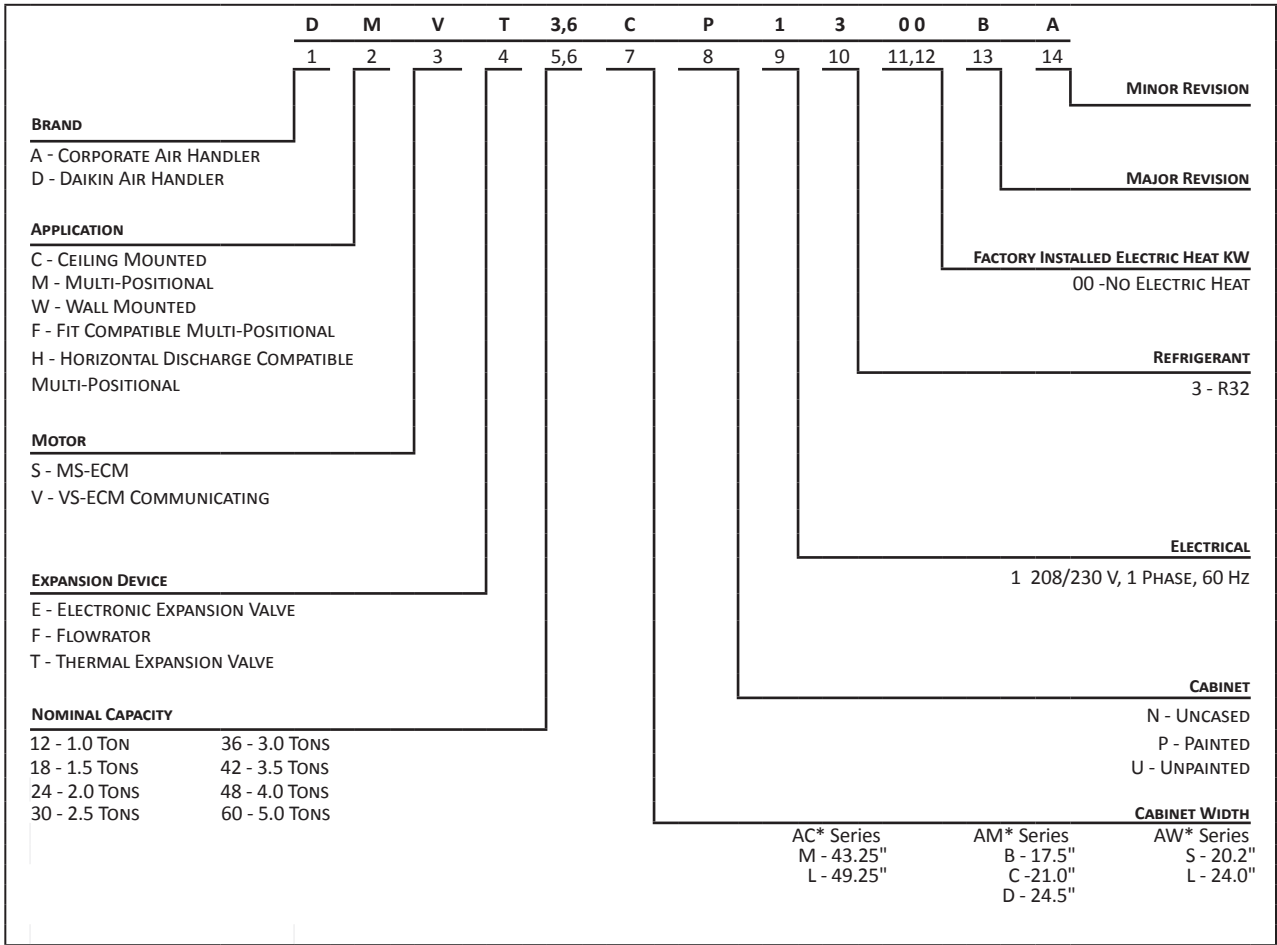
■ **Product Features**

- Internal factory-installed thermal expansion valves for cooling and heat pump applications
- Variable-speed ECM blower motor
- Compatible with Daikin *One+* smart thermostat and other Daikin communicating equipment
- Auto configuration of the airflow and tonnage in communicating mode
- All-aluminum evaporator coil
- Provides constant CFM over a wide range of static pressure conditions independent of duct system
- CFM indicator
- Fault recall of six most recent faults
- Provides adjustable low CFM for efficient fan-only operation
- Improved humidity and comfort control
- Built-in compatibility with multi-stage heat pump and cooling applications
- Factory installed R-32 sensor designed for the lifespan of the coil
- Optimized for the use with R-32 refrigerant
- UL 60335 2-40 Compliant
- AHRI certified; ETL listed
- Cabinet air leakage less than 2.0% at 1.0 inch H₂O when tested in accordance with ASHRAE standard 193
- Cabinet air leakage less than 1.4% at 0.5 inch H₂O when tested in accordance with ASHRAE standard 193
- 3 kW – 25 kW electric heater kits
- Horizontal or vertical configuration capabilities
- 21” depth for easier attic access
- DecaBDE-free thermoplastic drain pan with secondary drain connections
- Screw-less sides and back helps to reduce condensation when installed in humid locations
- Foil-faced insulation covers the internal casing to reduce cabinet condensation
- Galvanized, leather grain-embossed finish
- Glue-less cabinet insulation retention
- Tool-less filter access
- Field Installed 3kW- 25kW electric heater kit available



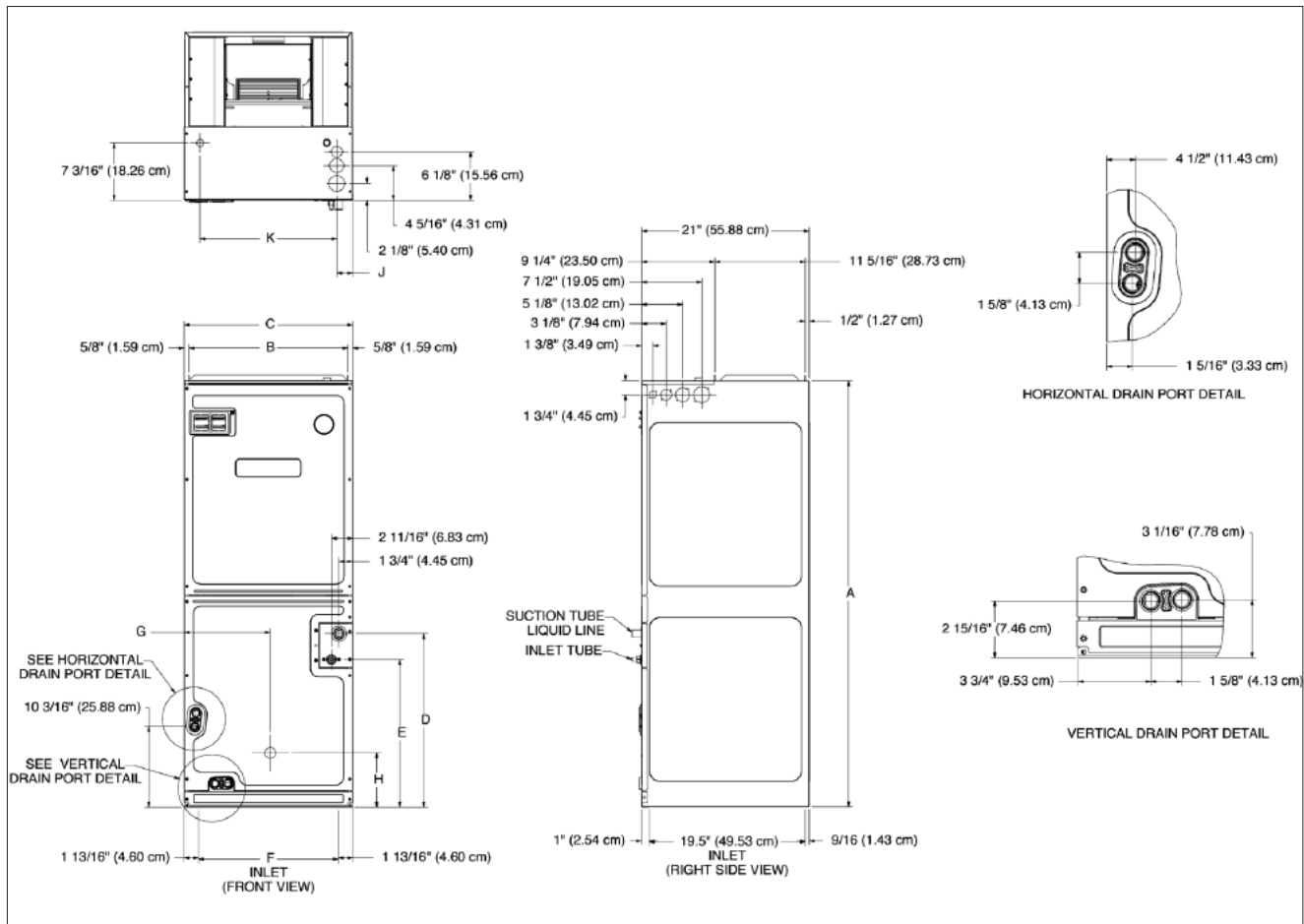
* Complete warranty details available from your local dealer or at www.daikincomfort.com. To receive the 12-Year Parts Limited Warranty, online registration must be completed within 60 days of installation. Additional requirements for annual maintenance are required for the Unit Replacement Limited Warranty. Online registration and some of the additional requirements are not required in California or Québec. The duration of warranty coverage in Texas and Florida differs in some cases.

NOMENCLATURE



	DMVT 24BP1300	DMVT 30BP1300	DMVT 36BP1300	DMVT 36CP1300	DMVT 42CP1300	DMVT 48CP1300	DMVT 60DP1300
NOMINAL RATINGS							
Cooling (Btu/h)	24,000	30,000	36,000	36,000	42,000	48,000	60,000
BLOWER							
Diameter	10"	10"	10"	10"	10"	10"	11"
Width	6"	6"	6"	8"	8"	10"	10"
REFRIGERANT LINE CONNECTION SIZE							
Liquid	3/8"	3/8"	3/8"	3/8"	3/8"	3/8"	3/8"
Suction	3/4"	3/4"	3/4"	3/4"	3/4"	7/8"	7/8"
Coil Drain Connect FPT	3/4"	3/4"	3/4"	3/4"	3/4"	3/4"	3/4"
ELECTRICAL DATA							
Voltage	208/240	208/240	208/240	208/240	208/240	208/240	208/240
Min Circuit Ampacity	4.9/4.9	4.9/4.9	6.5/6.5	6.5/6.5	6.5/6.5	6.5/6.5	8.6/8.6
Max. Overcurrent Device (amps)	15/15	15/15	15/15	15/15	15/15	15/15	15/15
Min. / Max VAC	197 / 253	197 / 253	197 / 253	197 / 253	197 / 253	197 / 253	197 / 253
Blower Motor							
Blower Motor (FLA)	3.9	3.9	5.2	5.2	5.2	5.2	6.9
Blower Motor (HP)	1/2	1/2	3/4	3/4	3/4	3/4	1
SHIP WEIGHT (LBS)	117	129	129	153	153	153	167

DIMENSIONS



MODEL	A"	B"	C"	D"	E"	F"	G"	H"	J"	K"
DMVT24BP1300	45	16 ⁵ / ₁₆	17 ⁹ / ₁₆	15 ¹ / ₄	12	12 ¹ / ₂	9	12 ⁹ / ₁₆	2	13 ⁵ / ₈
DMVT30BP1300	53 ³ / ₁₆	16 ⁵ / ₁₆	17 ⁹ / ₁₆	23 ¹¹ / ₁₆	20 ¹ / ₁₆	12 ¹ / ₂	9	12 ³ / ₄	2	13 ⁵ / ₈
DMVT36BP1300	53 ³ / ₁₆	16 ⁵ / ₁₆	17 ⁹ / ₁₆	23 ¹¹ / ₁₆	20 ¹ / ₁₆	12 ¹ / ₂	9	12 ³ / ₄	2	13 ⁵ / ₈
DMVT36CP1300	49	19 ¹³ / ₁₆	21 ¹ / ₈	21 ¹² / ₁₆	17 ³ / ₄	16 ¹ / ₁₆	9	12 ³ / ₄	2	17 ¹ / ₈
DMVT42CP1300	53 ³ / ₁₆	19 ¹³ / ₁₆	21 ¹ / ₈	21 ¹² / ₁₆	18 ¹ / ₂	16 ¹ / ₁₆	9	12 ³ / ₄	2	17 ¹ / ₈
DMVT48CP1300	58	19 ¹³ / ₁₆	21 ¹ / ₈	26 ³ / ₁₆	22 ¹⁵ / ₁₆	14 ¹⁰ / ₁₆	10 ¹³ / ₁₆	6 ¹³ / ₁₆	2	17 ¹ / ₈
DMVT60DP1300	58	23 ¹ / ₁₄	24 ⁵ / ₈	26	22 ³ / ₄	17 ¹¹ / ₁₆	12 ⁹ / ₁₆	13 ¹³ / ₁₆	2	20 ⁵ / ₈

MODEL NUMBER	Low/ High	OUTDOOR TONNAGE						
		1.5	2	2.5	3	3.5	4	5
DMVT24BP1300	Low	402	536	-	-	-	-	-
	High	600	800	-	-	-	-	-
DMVT30BP1300	Low	402	536	670	-	-	-	-
	High	600	800	1,000	-	-	-	-
DMVT36BP1300	Low	-	-	670	804	-	-	-
	High	-	-	1,000	1,200	-	-	-
DMVT36CP1300	Low	-	536	670	804	-	-	-
	High	-	800	1,000	1,200	-	-	-
DMVT42CP1300	Low	-	-	-	804	938	-	-
	High	-	-	-	1,200	1,400	-	-
DMVT48CP1300	Low	-	-	-	-	938	1,072	-
	High	-	-	-	-	1,400	1,600	-
DMVT60DP1300	Low	-	-	-	-	-	1,072	1,340
	High	-	-	-	-	-	1,600	2,000

Notes

1. Airflow data indicated is at 230V without air filter in place.
2. The chart is for information only. For satisfactory operation, external static pressure must not exceed value shown on rating plate.
3. Use the CFM adjustment factors of 0.98 for horizontal left and 0.96 for horizontal right & downflow orientations
4. When applying a humidistat (normally closed), refer to the installation and operating instructions. The humidistat can adjust the cooling airflow to 85%.

HEAT KIT DATA

HEATER KIT MODEL	CIRCUIT 1 (208V/240V)			CIRCUIT 2 (208V/240V)			SINGLE-POINT KIT (208V/240V)	
	HEATER AMPS	MCA ¹	MOP ²	HEATER AMPS	MCA ¹	MOP ²	MCA ¹	MOP ²
DMVT24BP1300AA	0/0	4.9/4.9	15/15	---	---	---	---	---
HKTSN03X1	10.8/12.5	18.4/20.5	20/25	---	---	---	---	---
HKTS*05X1	17.3/20.0	26.5/29.9	30/30	---	---	---	---	---
HKTSN06X1	21.7/25.0	32.0/36.1	35/40	---	---	---	---	---
HKTS*08X1	28.9/33.3	41.0/46.5	45/50	---	---	---	---	---
HKTS*10X1	34.7/40.0	48.2/54.9	50/60	---	---	---	---	---
HKTSN15XA/B	34.7/40.0	48.2/54.9	50/60	17.3/20.0	21.7/25.0	25/25	69.9/79.9	70/80
DMVT30BP1300AA	0/0	4.9/4.9	15/15	---	---	---	---	---
HKTSN03X1	10.8/12.5	18.4/20.5	20/25	---	---	---	---	---
HKTS*05X1	17.3/20.0	26.5/29.9	30/30	---	---	---	---	---
HKTSN06X1	21.7/25.0	32.0/36.1	35/40	---	---	---	---	---
HKTS*08X1	28.9/33.3	41.0/46.5	45/50	---	---	---	---	---
HKTS*10X1	34.7/40.0	48.2/54.9	50/60	---	---	---	---	---
HKTSN15XA/B	34.7/40.0	48.2/54.9	50/60	17.3/20.0	21.7/25.0	25/25	69.9/79.9	70/80
DMVT36BP1300AA	0/0	6.5/6.5	15/15	---	---	---	---	---
HKTSN03X1	10.8/12.5	20.0/22.1	25/25	---	---	---	---	---
HKTS*05X1	17.3/20.0	28.2/31.5	30/35	---	---	---	---	---
HKTSN06X1	21.7/25.0	33.6/37.8	35/40	---	---	---	---	---
HKTS*08X1	28.9/33.3	42.6/48.2	45/50	---	---	---	---	---
HKTS*10X1	34.7/40.0	49.8/56.5	50/60	---	---	---	---	---
HKTSN15XA/B	34.7/40.0	49.8/56.5	50/60	17.3/20.0	21.7/25.0	25/25	71.5/81.5	80/90
DMVT36CP1300AA	0/0	6.5/6.5	15/15	---	---	---	---	---
HKTSN03X1	10.8/12.5	20.0/22.1	20/25	---	---	---	---	---
HKTS*05X1	17.3/20.0	28.2/31.5	30/35	---	---	---	---	---
HKTSN06X1	21.7/25.0	33.6/37.8	35/40	---	---	---	---	---
HKTS*08X1	28.9/33.3	42.6/48.2	45/50	---	---	---	---	---
HKTS*10X1	34.7/40.0	49.8/56.5	50/60	---	---	---	---	---
HKTS*15X3 ^	0/0	6.5/6.5	15/15	30.0/34.6	37.5/43.3	40/45	---	---
HKTSN15XA/B	34.7/40.0	49.8/56.5	50/60	17.3/20.0	21.7/25.0	25/25	71.5/81.5	80/90
HKTSN19CA/B	34.7/40.0	49.8/56.5	50/60	34.7/40.0	43.3/50.0	45/50	93.2/107	100/110
DMVT42CP1300AA	0/0	6.5/6.5	15/15	---	---	---	---	---
HKTS*05X1	17.3/20.0	28.2/31.5	30/35	---	---	---	---	---
HKTSN06X1	21.7/25.0	33.6/37.8	35/40	---	---	---	---	---
HKTS*08X1	28.9/33.3	42.6/48.2	45/50	---	---	---	---	---
HKTS*10X1	34.7/40.0	49.8/56.5	50/60	---	---	---	---	---
HKTS*15X3 ^	0/0	6.5/6.5	15/15	30.0/34.6	37.5/43.3	40/45	---	---
HKTSN15XA/B	34.7/40.0	49.9/56.5	50/60	17.3/20.0	21.7/25.0	25/25	71.5/81.5	80/90
HKTSN19CA/B	34.7/40.0	49.9/56.5	50/60	34.7/40.0	43.3/50.0	45/50	93.2/107	100/110

See Notes on Page 7.

HEATER KIT MODEL	CIRCUIT 1 (208V/240V)			CIRCUIT 2 (208V/240V)			SINGLE-POINT KIT (208V/240V)	
	HEATER AMPS	MCA ¹	MOP ²	HEATER AMPS	MCA ¹	MOP ²	MCA ¹	MOP ²
DMVT48CP1300AA	0/0	6.5/6.5	15/15	---	---	---	---	---
HKTS*05X1	17.3/20.0	28.2/31.5	30/35	---	---	---	---	---
HKTSN06X1	21.7/25.0	33.6/37.8	35/40	---	---	---	---	---
HKTS*08X1	28.9/33.3	42.6/48.2	45/50	---	---	---	---	---
HKTS*10X1	34.7/40.0	49.8/56.5	50/60	---	---	---	---	---
HKTS*15X3 ^	0/0	6.5/6.5	15/15	30.0/34.6	37.5/43.3	40/45	---	---
HKTSD15XA/B	34.7/40.0	49.8/56.5	50/60	17.3/20.0	21.7/25.0	25/25	71.5/81.5	80/90
HKTSD19CA/B	34.7/40.0	49.8/56.5	50/60	34.7/40.0	43.3/50.0	45/50	93.2/107	100/110
DMVT60DP1300AA	0/0	8.6/8.6	15/15	---	---	---	---	---
HKTS*05X1	17.3/20.0	30.3/33.6	35/35	---	---	---	---	---
HKTSN06X1	21.7/25.0	35.7/39.9	40/40	---	---	---	---	---
HKTS*08X1	28.9/33.3	44.7/50.3	45/60	---	---	---	---	---
HKTS*10X1	34.7/40.0	52.0/58.6	60/60	---	---	---	---	---
HKTS*15X3 ^	0/0	8.6/8.6	15/15	30.0/34.6	37.5/43.3	40/45	---	---
HKTSD15XA/B	34.7/40.0	52.0/58.6	60/60	17.3/20.0	21.6/25.0	25/25	73.6/83.6	80/90
HKTS*20X3 ^	0/0	8.6/8.6	15/15	37.5/43.3	46.9/54.1	50/60	---	---
HKTSD20DA/B	34.7/40.0	52.0/58.6	60/60	34.7/40.0	43.4/50.0	45/50	95.3/109	100/110
HKTSD25DA/B	34.7/40.0	52.0/58.6	80/90	34.7/40.0	43.4/50.0	45/50	117/134	125/150

¹ Minimum Circuit Ampacity (Heater Amps + Motor Amps) X 1.25

² Maximum Overcurrent Protection = 2.25 X Motor Amps + Heater Amps

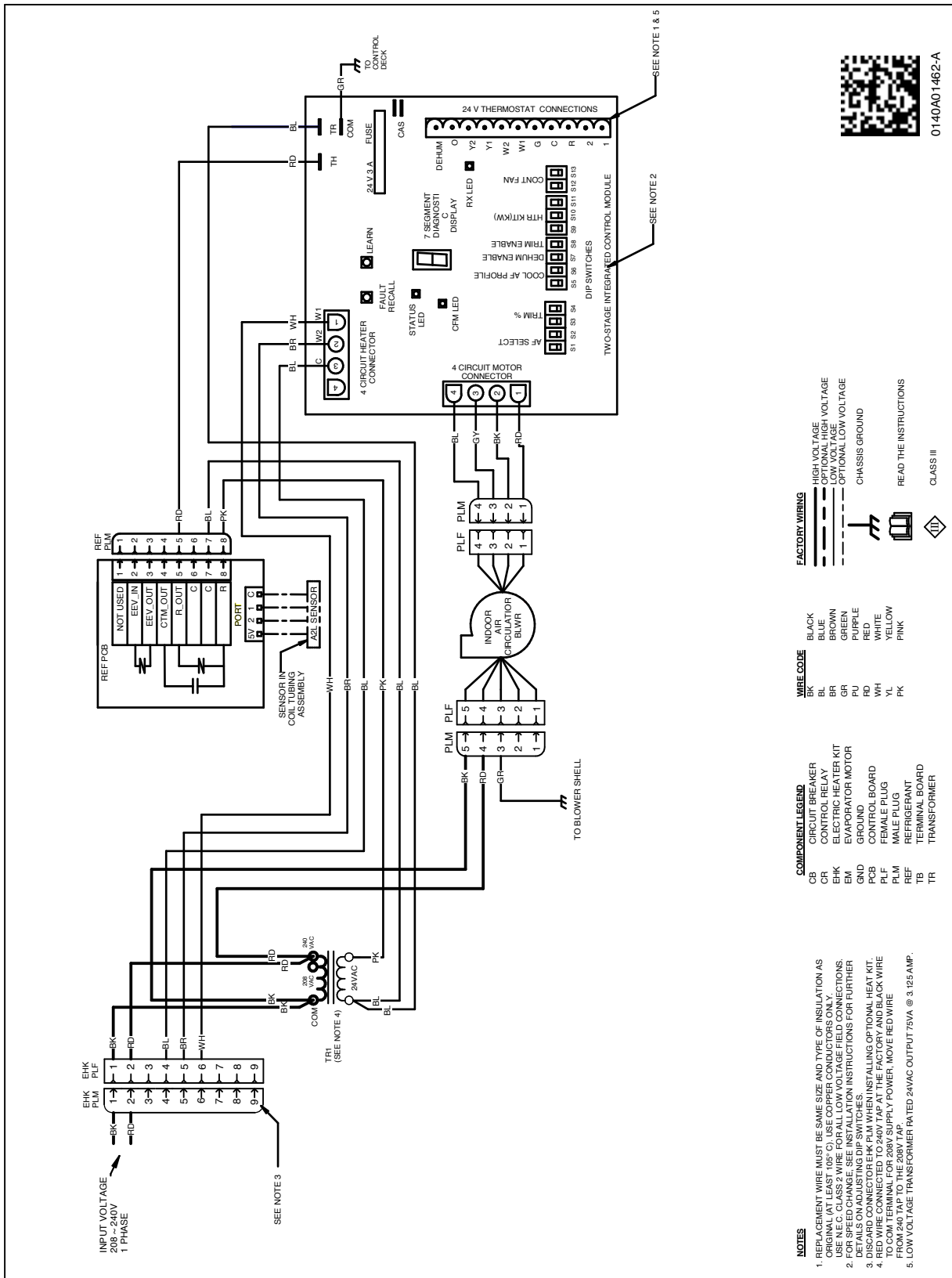
^ Three-phase Heater Kits (Circuit 1: Single-phase for Air Handlers Circuit 2: Three-phase for Heater Kits)

* D - Service disconnect, N - No service disconnect

--- indicates Not Required

Note: The 208 or 240 in the heat kit part number field is for clarification of the nominal voltage for this model.

AIR HANDLER WIRING DIAGRAM



NOTE: The five element, 25 kW heater kit is not SHOWN ABOVE.

DOWNFLOW KITS

DFKE-02	DFKE-03
DMVT24BP1300**	DMVT48CP1300**
DMVT30BP1300**	DMVT60DP1300**
DMVT36BP1300**	
DMVT36CP1300**	
DMVT42CP1300**	

HIGH HUMIDITY KIT

HHK0004	HHK0005	HHK0007
DMVT24BP1300**	DMVT36CP1300**	DMVT60DP1300**
DMVT30BP1300**	DMVT42CP1300**	
DMVT36BP1300**	DMVT48CP1300**	

CONDENSATE MANAGEMENT KIT

CMK0018	CMK0019	CMK0020
DMVT24BP1300**	DMVT30BP1300**	DMVT48CP1300**
DMVT36CP1300**	DMVT36BP1300**	DMVT60DP1300**
	DMVT42CP1300**	

FILTERS

CHASSIS	PART #	SIZE
B	ALFH16201E	16.0" x 20.0"
C	ALFH1912201E	19.5" x 20.0"
D	ALFH20231E	23.0" x 20.0"

SINGLE POINT WIRING KIT (SPW-01)

HEATER KIT MODEL	SPWK-B	SPWK-C	SPWK-D
HKTSD15XA	DMVT24BP1300** DMVT30BP1300** DMVT36BU1300**	DMVT36CU1300** DMVT42CU1300** DMVT48CU1300**	DMVT60DU1300**
HKTSD15XB			
HKTSD19CA			
HKTSD19CB			
HKTSD20DA			DMVT60DU1300**
HKTSD20DB			
HKTSD25DA			DMVT60DU1300**
HKTSD25DB			

ULTRAVIOLET DRAIN PAN KIT

MODEL SIZE	KIT #	PARTS				
DMVT24B	UVPK01	DRAIN PAN MAIN	DRAIN PAN SIDE	NA	CONDENSATE COLLECTOR, BACK	CONDENSATE COLLECTOR, BACK
DMVT30B	UVPK02			CONDENSATE COLLECTOR, BACK		
DMVT36B						
DMVT36C	UVPK03			CONDENSATE COLLECTOR, BACK		
DMVT42C	UVPK04					
DMVT48C	UVPK05			CONDENSATE COLLECTOR, BACK		
DMVT60D	UVPK07					

