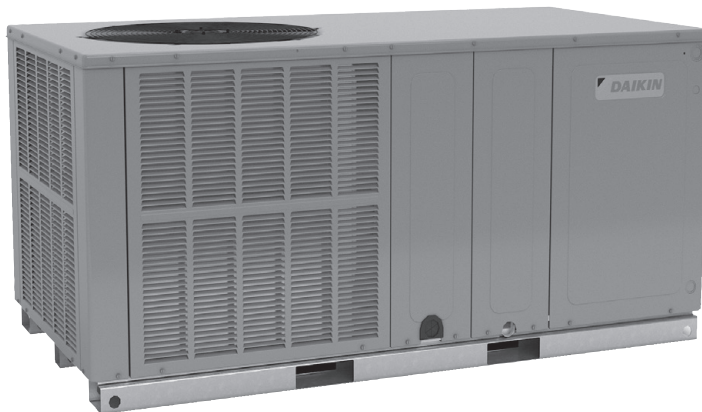


## R-32 PACKAGED HEAT PUMPS 13.4 SEER2 / 2 TO 5 TONS



### ■ Contents

Nomenclature .....	2
Product Specifications .....	3
Expanded Cooling Data .....	5
Expanded Heating Data .....	16
Airflow Data .....	19
Heat Kit Electrical Data .....	20
Dimensions.....	21
Wiring Diagrams .....	22
Accessories.....	23

## R32

### ■ Standard Features

- Energy-efficient compressor with internal relief valve
- Multi-speed ECM indoor blower motor
- Quiet horizontal discharge
- Copper tube/corrosion-resistant fin
- Totally enclosed, permanently lubricated condenser fan motor
- Fully charged system
- Electric heat kit available as a field-installed option
- Compressor sound blanket
- AHRI Certified; UL listed

### ■ Cabinet Features

- Heavy-gauge galvanized-steel cabinet with attractive Nickel Gray powder-paint finish
- Aluminum foil-facing internal insulation reinforced with fiberglass scrim
- Meets cabinet air leakage requirements when tested in accordance with ASHRAE standard 193
- Fully insulated blower compartment has convenient access panels
- Louvered condenser coil protection
- One footprint; three heights
- When properly anchored, meets the 2023 Florida Building Code unit integrity requirements for hurricane-type winds (Anchor bracket kits available.)



\* Complete warranty available from your local dealer or at [www.daikincomfort.com](http://www.daikincomfort.com). To receive the 12-Year Parts Limited Warranty, online registration must be completed within 60 days of installation. Online registration is not required in California, Florida, or Québec. The duration of warranty coverages in Texas and Florida differs in some cases. Other limitations and exclusions apply, refer to complete warranty details for full list of limitations and exclusions.



	DP3HH 2431	DP3HH 3031	DP3HH 3631	DP3HH 4231	DP3HH 4831	DP3HH 6031
<b>COOLING CAPACITY</b>						
Total BTU/h	24,000	28,200	36,000	39,000	45,000	56,000
Sensible BTU/h	17,280	22,842	27,000	29,250	34,650	40,880
SEER2	13.4	13.4	13.4	13.4	13.4	13.4
EER2	10.6	10.6	10.6	10.6	10.6	10.6
<b>HEATING CAPACITY</b>						
BTU/h (47°F)	24,000	27,200	33,800	35,000	42,500	54,000
C.O.P. (47°F)	3.66	3.7	3.5	3.6	3.66	3.66
BTU/h (17°F)	14,200	15,200	19,000	20,000	22,000	29,400
C.O.P. (17°F)	2.22	2.34	2.16	2.32	2.20	2.34
HSPF2	6.70	6.70	6.70	6.70	6.70	6.70
<b>EVAPORATOR FAN / COIL</b>						
Type	ECM	ECM	ECM	ECM	ECM	ECM
Wheel (D x W)	10 x 8	10 x 8	10 x 8	10 x 8	10 x 8	11 x 8
Indoor Nominal CFM	800	1050	1225	1250	1500	1650
No. of Speeds	5	5	5	5	5	5
Indoor Blower FLA	3.8	3.8	3.8	3.8	5.4	5.4
Horsepower	1/2	1/2	1/2	1/2	3/4	3/4
<b>FACE AREA (FT<sup>2</sup>)</b>	5.26	5.26	6.23	6.23	6.23	7.01
Rows Deep / Fins per Inch	3/14	3/14	3/14	4/14	4/14	4/14
Metering Device Type	Piston	Piston	Piston	Piston	Piston	Piston
Drain Size (NPT)	¾"	¾"	¾"	¾"	¾"	¾"
Refrigerant Charge (oz.)	68	79	104	111	141	147
<b>CONDENSER FAN</b>						
Horsepower - RPM	1/6 - 810	1/6 - 810	1/4 - 830	1/4 - 1075	1/4 - 1075	1/4 - 1075
Fan Diameter	22	22	22	22	22	22
# of Fan Blades	3	3	4	4	4	4
<b>CONDENSER FAN / COIL</b>						
Outdoor Fan FLA	0.95	0.95	1.4	1.4	1.4	1.4
Horsepower	1/6	1/6	1/4	1/4	1/4	1/4
Blade Diameter	22	22	22	22	22	22
Face Area (ft <sup>2</sup> )	13.37	13.37	17.02	17.02	17.02	18.85
<b>ROWS DEEP / FINS PER INCH</b>	1/24	1/24	1/24	1/24	2/16	2/20
Metering Device Type	Piston	Piston	Piston	Piston	Piston	Piston
<b>COMPRESSOR</b>						
Type	Scroll	Scroll	Scroll	Scroll	Scroll	Scroll
Stage	Single	Single	Single	Single	Single	Single
RLA	12.8	12.8	14.4	14.4	19.39	23.87
LRA	76	76	112.2	112.2	127.7	148
<b>ELECTRICAL DATA</b>						
Phase	1	1	1	1	1	1
Voltage (Frequency 60 Hz)	208-230	208-230	208-230	208-230	208-230	208-230
Min. Circuit Ampacity	20.75	20.75	23.2	23.2	31.04	36.64
Max. Overcurrent Protection	30	30	35	35	50	60
Decibels	76	76	78	78	80	80
<b>Operating/Shipping Weights (lbs)</b>	330 / 340	330 / 340	370 / 380	390 / 400	415 / 425	440 / 450

**Note:**

Always check the S&R plate for electrical data on the unit being installed.  
 Wire size should be determined in accordance with National Electrical Codes. Extensive wire runs will require larger wire sizes.  
 Must use time-delay fuses or HACR-type circuit breakers of the same size as noted.

IDB		OUTDOOR AMBIENT TEMPERATURE																																			
		65						75						85						95						105						115					
		AIRFLOW	59	63	67	71	59	63	67	71	59	63	67	71	59	63	67	71	59	63	67	71	59	63	67	71	59	63	67	71							
70	600	MBh	24.1	24.5	25.2	-	23.9	24.3	25.0	-	23.3	23.6	24.4	-	22.2	22.5	23.3	-	20.9	21.2	21.9	-	19.6	20.0	20.7	-	19.6	20.0	20.7	-							
		S/T	0.49	0.41	0.29	-	0.49	0.42	0.29	-	0.52	0.44	0.32	-	0.53	0.46	0.33	-	0.56	0.48	0.35	-	1.00	0.53	0.40	-	1.00	0.53	0.40	-							
		ΔT	20.84	19.04	15.68	-	20.79	18.99	15.63	-	21.04	19.24	15.88	-	20.77	18.97	15.61	-	20.53	18.73	15.37	-	21.66	19.86	16.49	-	21.66	19.86	16.49	-							
		KW	1.57	1.56	1.56	-	1.78	1.77	1.77	-	2.01	2.01	2.00	-	2.26	2.26	2.26	-	2.55	2.55	2.54	-	2.88	2.88	2.88	-	2.88	2.88	2.88	-							
		Amps	6.12	6.12	6.10	-	7.04	7.03	7.01	-	8.06	8.05	8.03	-	9.16	9.15	9.14	-	10.39	10.39	10.37	-	11.84	11.83	11.82	-	11.84	11.83	11.82	-							
	800	HiPR	273	274	276	-	316	317	319	-	362	363	365	-	411	412	414	-	464	465	467	-	520	521	523	-	520	521	523	-							
		LoPR	117	119	122	-	125	126	129	-	131	133	136	-	136	138	141	-	142	143	146	-	148	150	153	-	148	150	153	-							
		MBh	24.7	25.1	25.8	-	24.5	24.9	25.6	-	23.9	24.2	25.0	-	22.8	23.1	23.9	-	21.4	21.8	22.5	-	20.2	20.6	21.3	-	20.2	20.6	21.3	-							
		S/T	0.63	0.56	0.43	-	0.64	0.57	0.44	-	0.66	0.59	0.46	-	0.68	0.61	0.48	-	1.00	0.63	0.50	-	1.00	0.68	0.55	-	1.00	0.68	0.55	-							
		ΔT	18.38	16.58	13.22	-	18.33	16.53	13.17	-	18.58	16.78	13.42	-	18.31	16.51	13.15	-	18.07	16.27	12.91	-	19.20	17.40	14.04	-	19.20	17.40	14.04	-							
1000	KW	1.59	1.59	1.58	-	1.80	1.80	1.79	-	2.03	2.03	2.03	-	2.29	2.29	2.28	-	2.57	2.57	2.57	-	2.90	2.90	2.90	-	2.90	2.90	2.90	-								
	Amps	6.23	6.22	6.21	-	7.14	7.14	7.12	-	8.16	8.16	8.14	-	9.27	9.26	9.25	-	10.50	10.49	10.48	-	11.95	11.94	11.92	-	11.95	11.94	11.92	-								
	HiPR	278	279	281	-	321	322	324	-	367	368	370	-	416	417	419	-	469	470	472	-	525	526	528	-	525	526	528	-								
	LoPR	121	122	125	-	128	130	133	-	135	136	139	-	140	141	144	-	145	147	150	-	152	153	156	-	152	153	156	-								
	MBh	25.6	25.9	26.7	-	25.4	25.7	26.4	-	24.7	25.1	25.8	-	23.6	24.0	24.7	-	22.3	22.6	23.4	-	21.1	21.4	22.1	-	21.1	21.4	22.1	-								
75	600	S/T	0.67	0.60	0.47	-	0.68	0.61	0.48	-	0.70	0.63	0.50	-	1.00	0.65	0.52	-	1.00	0.67	0.54	-	1.00	0.72	0.59	-	1.00	0.72	0.59	-							
		ΔT	16.65	14.85	11.49	-	16.60	14.80	11.44	-	16.86	15.06	11.69	-	16.58	14.78	11.42	-	16.34	14.54	11.18	-	17.47	15.67	12.31	-	17.47	15.67	12.31	-							
		KW	1.61	1.61	1.60	-	1.82	1.82	1.81	-	2.05	2.05	2.05	-	2.31	2.30	2.30	-	2.59	2.59	2.58	-	2.92	2.92	2.92	-	2.92	2.92	2.92	-							
		Amps	6.31	6.30	6.28	-	7.22	7.21	7.20	-	8.24	8.23	8.22	-	9.34	9.34	9.32	-	10.58	10.57	10.55	-	12.02	12.02	12.00	-	12.02	12.02	12.00	-							
		HiPR	282	284	285	-	326	327	329	-	371	373	374	-	420	422	423	-	473	474	476	-	530	531	533	-	530	531	533	-							
	800	LoPR	125	127	130	-	132	134	137	-	139	140	143	-	144	146	149	-	149	151	154	-	156	157	160	-	156	157	160	-							
		MBh	24.2	24.5	25.2	26.3	23.9	24.3	25.0	26.1	23.3	23.6	24.4	25.5	22.2	22.6	23.3	24.4	20.9	21.2	21.9	23.1	19.6	20.0	20.7	21.8	20.9	21.2	21.9	23.1							
		S/T	0.61	0.54	0.41	0.3	0.61	0.54	0.41	0.3	0.64	0.57	0.44	0.3	1.00	0.58	0.46	0.3	1.00	0.61	0.48	0.3	1.00	0.65	0.53	0.4	1.00	0.61	0.48	0.3							
		ΔT	24.80	23.00	19.63	16.2	24.75	22.95	19.59	16.1	25.00	23.20	19.84	16.4	24.73	22.93	19.57	16.1	24.49	22.69	19.33	15.8	25.62	23.81	20.45	17.0	24.49	22.69	19.33	15.8							
		KW	1.56	1.56	1.56	1.6	1.77	1.77	1.77	1.8	2.01	2.01	2.00	2.0	2.26	2.26	2.26	2.3	2.55	2.54	2.54	2.6	2.88	2.88	2.87	2.9	2.55	2.54	2.54	2.6							
1000	Amps	6.12	6.11	6.09	6.2	7.03	7.02	7.01	7.1	8.05	8.04	8.03	8.1	9.15	9.15	9.13	9.2	10.39	10.38	10.37	10.4	11.83	11.83	11.81	11.9	10.39	10.38	10.37	10.4								
	HiPR	273	274	276	281.0	317	318	320	324.4	362	363	365	370.0	411	412	414	419.0	464	465	467	471.8	520	522	523	528.3	464	465	467	471.8								
	LoPR	118	119	122	127.1	125	126	129	134.4	131	133	136	140.7	136	138	141	146.1	142	143	146	151.3	148	150	153	157.9	142	143	146	151.3								
	MBh	24.8	25.1	25.8	26.9	24.5	24.9	25.6	26.7	23.9	24.2	25.0	26.1	22.8	23.1	23.9	25.0	21.5	21.8	22.5	23.6	20.2	20.6	21.3	22.4	21.5	21.8	22.5	23.6								
	S/T	0.75	0.68	0.55	0.4	0.76	0.69	0.56	0.4	1.00	0.71	0.58	0.4	1.00	0.73	0.60	0.5	1.00	0.75	0.62	0.5	1.00	0.80	0.67	0.5	1.00	0.75	0.62	0.5								
75	800	ΔT	22.34	20.54	17.18	13.7	22.29	20.49	17.13	13.6	22.54	20.74	17.38	13.9	22.27	20.47	17.11	13.6	22.03	20.23	16.87	13.4	23.16	21.36	18.00	14.5	22.03	20.23	16.87	13.4							
		KW	1.59	1.59	1.58	1.6	1.80	1.80	1.79	1.8	2.03	2.03	2.03	2.0	2.29	2.29	2.28	2.3	2.57	2.57	2.57	2.6	2.90	2.90	2.90	2.9	2.57	2.57	2.57	2.6							
		Amps	6.22	6.22	6.20	6.3	7.14	7.13	7.12	7.2	8.16	8.15	8.14	8.2	9.26	9.25	9.24	9.3	10.50	10.49	10.47	10.5	11.94	11.93	11.92	12.0	10.50	10.49	10.47	10.5							
		HiPR	278	279	281	285.9	321	323	325	329.4	367	368	370	374.9	416	417	419	423.9	469	470	472	476.8	525	526	528	533.2	469	470	472	476.8							
		LoPR	121	122	125	130.5	128	130	133	137.8	135	136	139	144.1	140	141	144	149.5	145	147	150	154.8	152	153	156	161.4	145	147	150	154.8							
1000	MBh	25.6	25.9	26.7	27.8	25.4	25.7	26.5	27.6	24.7	25.1	25.8	26.9	23.6	24.0	24.7	25.8	22.3	22.7	23.4	24.5	21.1	21.4	22.2	23.3	22.3	22.7	23.4	24.5								
	S/T	0.80	0.72	0.60	0.5	0.80	0.73	0.60	0.5	1.00	0.75	0.63	0.5	1.00	0.77	0.64	0.5	1.00	0.79	0.67	0.5	1.00	1.00	0.71	0.6	1.00	0.79	0.67	0.5								
	ΔT	20.61	18.81	15.45	12.0	20.56	18.76	15.40	11.9	20.81	19.01	15.65	12.2	20.54	18.74	15.38	11.9	20.30	18.50	15.14	11.7	21.43	19.63	16.27	12.8	20.30	18.50	15.14	11.7								
	KW	1.61	1.60	1.60	1.6	1.82	1.81	1.81	1.8	2.05	2.05	2.05	2.1	2.30	2.30	2.30	2.3	2.59	2.59	2.58	2.6	2.92	2.92	2.92	2.9	2.59	2.59	2.58	2.6								
	Amps	6.30	6.29	6.28	6.3	7.21	7.21	7.19	7.3	8.23	8.23	8.21	8.3	9.34	9.33	9.31	9.4	10.57	10.56	10.55	10.6	12.02	12.01	11.99	12.1	10.57	10.56	10.55	10.6								
75	1000	HiPR	283	284	286	290.5	326	327	329	334.0	372	373	375	379.5	421	422	424	428.5	473	475	477	481.4	530	531	533	537.8	473	475	477	481.4							
		LoPR	125	127	130	134.7	132	134	137	141.9	139	140	143	148.3	144	146	149	153.7	149	151	154	158.9	156	157	160	165.5	149	151	154	158.9							
		MBh	25.6	25.9	26.7	27.8	25.4	25.7	26.5																												



IDB		OUTDOOR AMBIENT TEMPERATURE												105												115											
		65						75						85						95						105						115					
		AIRFLOW		59	63	67	71	59	63	67	71	59	63	67	71	59	63	67	71	59	63	67	71	59	63	67	71	59	63	67	71	59	63	67	71		
<b>70</b>	<b>800</b>	MBh	28.4	28.8	29.7	-	28.1	28.5	29.4	-	27.4	27.8	28.7	-	26.1	26.5	27.4	-	24.5	24.9	25.8	-	23.1	23.5	24.4	-	23.1	23.5	24.4	-	23.1	23.5	24.4	-			
		S/T	0.56	0.48	0.33	-	0.57	0.48	0.34	-	0.59	0.51	0.37	-	1.00	0.53	0.39	-	1.00	0.56	0.41	-	1.00	0.61	0.47	-	1.00	0.61	0.47	-	1.00	0.61	0.47	-			
		ΔT	19.71	17.99	14.79	-	19.66	17.94	14.74	-	19.90	18.18	14.98	-	19.64	17.93	14.72	-	19.41	17.70	14.50	-	20.49	18.77	15.57	-	20.49	18.77	15.57	-	20.49	18.77	15.57	-			
		kW	1.86	1.85	1.85	-	2.10	2.10	2.09	-	2.37	2.37	2.36	-	2.66	2.66	2.66	-	2.99	2.99	2.98	-	3.37	3.37	3.37	-	3.37	3.37	3.37	-	3.37	3.37	3.37	-			
		Amps	6.99	6.98	6.96	-	8.05	8.04	8.02	-	9.22	9.21	9.20	-	10.50	10.49	10.47	-	11.92	11.91	11.89	-	13.59	13.58	13.56	-	13.59	13.58	13.56	-	13.59	13.58	13.56	-			
	Hi PR	279	281	283	-	324	325	327	-	371	372	374	-	421	422	424	-	475	476	478	-	533	534	536	-	533	534	536	-	533	534	536	-				
	Lo PR	127	128	132	-	135	136	139	-	141	143	146	-	147	149	152	-	153	154	158	-	160	162	165	-	160	162	165	-	160	162	165	-				
	<b>1050</b>	MBh	29.1	29.5	30.3	-	28.8	29.2	30.1	-	28.1	28.5	29.3	-	26.8	27.2	28.0	-	25.2	25.6	26.5	-	23.8	24.2	25.0	-	23.8	24.2	25.0	-	23.8	24.2	25.0	-			
		S/T	0.71	0.63	0.48	-	0.72	0.64	0.49	-	1.00	0.66	0.52	-	1.00	0.68	0.54	-	1.00	0.71	0.56	-	1.00	1.00	0.62	-	1.00	1.00	0.62	-	1.00	1.00	0.62	-			
		ΔT	17.50	15.79	12.59	-	17.46	15.74	12.54	-	17.70	15.98	12.78	-	17.44	15.73	12.52	-	17.21	15.50	12.30	-	18.28	16.57	13.37	-	18.28	16.57	13.37	-	18.28	16.57	13.37	-			
kW		1.88	1.88	1.88	-	2.13	2.12	2.12	-	2.40	2.39	2.39	-	2.69	2.69	2.68	-	3.02	3.01	3.01	-	3.40	3.40	3.39	-	3.40	3.40	3.39	-	3.40	3.40	3.39	-				
Amps		7.11	7.10	7.08	-	8.16	8.15	8.14	-	9.34	9.33	9.31	-	10.61	10.60	10.59	-	12.03	12.03	12.01	-	13.70	13.69	13.68	-	13.70	13.69	13.68	-	13.70	13.69	13.68	-				
Hi PR	284	285	287	-	329	330	332	-	375	377	379	-	426	427	429	-	480	481	483	-	537	539	541	-	537	539	541	-	537	539	541	-					
Lo PR	130	132	135	-	138	140	143	-	145	146	150	-	151	152	156	-	156	158	161	-	163	165	168	-	163	165	168	-	163	165	168	-					
<b>1300</b>	MBh	30.0	30.4	31.3	-	29.8	30.2	31.0	-	29.0	29.4	30.3	-	27.7	28.1	29.0	-	26.1	26.5	27.4	-	24.7	25.1	26.0	-	24.7	25.1	26.0	-	24.7	25.1	26.0	-				
	S/T	0.76	0.68	0.53	-	0.77	0.68	0.54	-	1.00	0.71	0.57	-	1.00	0.73	0.59	-	1.00	0.76	0.61	-	1.00	1.00	0.67	-	1.00	1.00	0.67	-	1.00	1.00	0.67	-				
	ΔT	15.93	14.22	11.01	-	15.88	14.17	10.97	-	16.12	14.41	11.21	-	15.87	14.15	10.95	-	15.64	13.92	10.72	-	16.71	15.00	11.79	-	16.71	15.00	11.79	-	16.71	15.00	11.79	-				
	kW	1.90	1.90	1.90	-	2.14	2.14	2.14	-	2.41	2.41	2.41	-	2.71	2.71	2.70	-	3.03	3.03	3.03	-	3.42	3.42	3.41	-	3.42	3.42	3.41	-	3.42	3.42	3.41	-				
	Amps	7.19	7.18	7.16	-	8.24	8.24	8.22	-	9.42	9.41	9.39	-	10.69	10.69	10.67	-	12.12	12.11	12.09	-	13.79	13.78	13.76	-	13.79	13.78	13.76	-	13.79	13.78	13.76	-				
Hi PR	289	290	292	-	333	334	336	-	380	381	383	-	430	431	433	-	484	485	487	-	542	543	545	-	542	543	545	-	542	543	545	-					
Lo PR	134	136	139	-	142	144	147	-	149	151	154	-	155	156	160	-	161	162	165	-	168	169	173	-	168	169	173	-	168	169	173	-					
<b>75</b>	<b>800</b>	MBh	28.4	28.8	29.7	31.0	28.2	28.6	29.4	30.7	27.4	27.8	28.7	30.0	26.1	26.5	27.4	28.7	24.5	25.0	25.8	27.1	23.1	23.5	24.4	25.7	23.1	23.5	24.4	25.7							
		S/T	0.70	0.62	0.47	0.3	1.00	0.62	0.48	0.3	1.00	0.65	0.50	0.4	1.00	0.67	0.52	0.4	1.00	0.69	0.55	0.4	1.00	1.00	0.60	0.5	1.00	1.00	0.60	0.5							
		ΔT	23.48	21.76	18.56	15.2	23.43	21.71	18.51	15.2	23.67	21.95	18.75	15.4	23.41	21.70	18.49	15.2	23.18	21.47	18.27	14.9	24.26	22.54	19.34	16.0	24.26	22.54	19.34	16.0							
		kW	1.85	1.85	1.85	1.9	2.10	2.09	2.09	2.1	2.37	2.37	2.36	2.4	2.66	2.66	2.65	2.7	2.99	2.99	2.98	3.0	3.37	3.37	3.37	3.4	3.37	3.37	3.37	3.4							
		Amps	6.98	6.98	6.96	7.0	8.04	8.03	8.01	8.1	9.21	9.21	9.19	9.3	10.49	10.48	10.46	10.5	11.91	11.90	11.88	12.0	13.58	13.57	13.55	13.6	13.58	13.57	13.55	13.6							
	Hi PR	280	281	283	287.9	324	325	327	332.3	371	372	374	378.9	421	422	424	429.1	475	476	478	483.2	533	534	536	540.9	533	534	536	540.9								
	Lo PR	127	128	132	137.1	135	136	139	144.9	141	143	146	151.7	147	149	152	157.5	153	154	158	163.2	160	162	165	170.3	160	162	165	170.3								
	<b>1050</b>	MBh	29.1	29.5	30.3	31.7	28.8	29.2	30.1	31.4	28.1	28.5	29.3	30.6	26.8	27.2	28.1	29.4	25.2	25.6	26.5	27.8	23.8	24.2	25.0	26.3	23.8	24.2	25.0	26.3							
		S/T	0.85	0.77	0.62	0.5	1.00	0.77	0.63	0.5	1.00	0.80	0.66	0.5	1.00	0.82	0.68	0.5	1.00	1.00	0.70	0.5	1.00	1.00	0.75	0.6	1.00	1.00	0.75	0.6							
		ΔT	21.27	19.56	16.36	13.0	21.23	19.51	16.31	13.0	21.47	19.75	16.55	13.2	21.21	19.50	16.29	13.0	20.98	19.27	16.07	12.7	22.05	20.34	17.14	13.8	22.05	20.34	17.14	13.8							
kW		1.88	1.88	1.88	1.9	2.12	2.12	2.12	2.1	2.39	2.39	2.39	2.4	2.69	2.69	2.68	2.7	3.01	3.01	3.01	3.0	3.40	3.40	3.39	3.4	3.40	3.40	3.39	3.4								
Amps		7.10	7.09	7.07	7.2	8.15	8.15	8.13	8.2	9.33	9.32	9.30	9.4	10.60	10.60	10.58	10.7	12.03	12.02	12.00	12.1	13.70	13.69	13.67	13.8	13.70	13.69	13.67	13.8								
Hi PR	285	286	288	292.6	329	330	332	337.1	376	377	379	383.7	426	427	429	433.9	480	481	483	488.0	538	539	541	545.7	538	539	541	545.7									
Lo PR	130	132	135	140.6	138	140	143	148.4	145	147	150	155.2	151	152	156	161.0	156	158	161	166.7	163	165	168	173.8	163	165	168	173.8									
<b>1300</b>	MBh	30.0	30.4	31.3	32.6	29.8	30.2	31.0	32.3	29.0	29.4	30.3	31.6	27.7	28.1	29.0	30.3	26.2	26.6	27.4	28.7	24.7	25.1	26.0	27.3	24.7	25.1	26.0	27.3								
	S/T	1.00	0.82	0.67	0.5	1.00	0.82	0.68	0.5	1.00	0.85	0.70	0.6	1.00	1.00	0.72	0.6	1.00	1.00	0.75	0.6	1.00	1.00	0.80	0.7	1.00	1.00	0.80	0.7								
	ΔT	19.70	17.99	14.78	11.5	19.65	17.94	14.74	11.4	19.89	18.18	14.98	11.7	19.64	17.92	14.72	11.4	19.41	17.69	14.49	11.2	20.48	18.77	15.56	12.2	20.48	18.77	15.56	12.2								
	kW	1.90	1.90	1.89	1.9	2.14	2.14	2.14	2.2	2.41	2.41	2.41	2.4	2.71	2.70	2.70	2.7	3.03	3.03	3.03	3.0	3.42	3.42	3.41	3.4	3.42	3.42	3.41	3.4								
	Amps	7.18	7.17	7.16	7.2	8.24	8.23	8.21	8.3	9.41	9.41	9.39	9.5	10.69	10.68	10.66	10.7	12.11	12.10	12.08	12.2	13.78	13.77	13.75	13.8	13.78	13.77	13.75	13.8								
Hi PR	289	290	292	297.1	333	335	337	341.6	380	381	383	388.2	430	431	433	438.4	484	486	488	492.5	542	543	545	550.2	542	543	545	550.2									
Lo PR	134	136	139	144.8	142	144	147	152.6	149	151	154	159.5	155	157	160	165.2	161	162	165	170.9	168	169	173	178.0	168	169	173	178.0									

IDB = Entering Indoor Dry Bulb Temperature  
 High and low pressures are measured at the liquid and suction access fittings.  
 Design Subcooling, 5-7°F @ the liquid access fitting connection AHR1 95 test conditions. Design Superheat 15-18°F @ the compressor suction access fitting connection.  
 Shaded area reflects AHR1 (TVA) conditions.  
 Amps: Unit amps (comp.+ evaporator + condenser fan motors)  
 kW = Total system power

IDB	Airflow	Outdoor Ambient Temperature												105°F												115°F																							
		65°F						75°F						85°F						95°F						105°F						115°F																	
		59	63	67	71	59	63	67	71	59	63	67	71	59	63	67	71	59	63	67	71	59	63	67	71	59	63	67	71	59	63	67	71																
80	MBh	28.6	29.0	29.8	31.1	28.3	28.7	29.6	30.9	27.6	28.0	28.8	30.1	26.3	26.7	27.5	28.8	24.7	25.1	26.0	27.3	23.3	23.7	24.5	25.8	28.6	29.0	29.8	31.1	28.3	28.7	29.6	30.9	27.6	28.0	28.8	30.1	26.3	26.7	27.5	28.8	24.7	25.1	26.0	27.3	23.3	23.7	24.5	25.8
	S/T	1.00	0.75	0.60	0.5	1.00	0.78	0.64	0.5	1.00	0.78	0.64	0.5	1.00	1.00	0.66	0.5	1.00	1.00	0.68	0.5	1.00	1.00	0.74	0.6	1.00	0.75	0.60	0.5	1.00	0.78	0.64	0.5	1.00	1.00	0.66	0.5	1.00	1.00	0.68	0.5	1.00	1.00	0.74	0.6				
	ΔT	27.2	25.56	22.35	19.0	27.22	25.51	22.31	19.0	27.22	25.51	22.31	19.0	27.22	25.51	22.31	19.0	27.22	25.51	22.31	19.0	27.22	25.51	22.31	19.0	27.22	25.56	22.35	19.0	27.22	25.51	22.31	19.0	27.22	25.51	22.31	19.0	27.22	25.51	22.31	19.0	27.22	25.51	22.31	19.0				
	kW	1.86	1.85	1.85	1.9	2.10	2.10	2.09	2.1	2.37	2.37	2.36	2.4	2.66	2.66	2.66	2.7	2.99	2.99	2.98	3.0	3.37	3.37	3.37	3.4	1.86	1.85	1.85	1.9	2.10	2.10	2.09	2.1	2.37	2.37	2.36	2.4	2.66	2.66	2.66	2.7	2.99	2.99	2.98	3.0	3.37	3.37	3.37	3.4
	Amps	6.99	6.98	6.96	7.0	8.04	8.04	8.02	8.1	9.22	9.21	9.19	9.3	10.49	10.49	10.49	10.5	11.92	11.91	11.89	12.0	13.59	13.58	13.56	13.6	6.99	6.98	6.96	7.0	8.04	8.04	8.02	8.1	9.22	9.21	9.19	9.3	10.49	10.49	10.49	10.5	11.92	11.91	11.89	12.0	13.59	13.58	13.56	13.6
	Hi PR	280	281	283	288.4	325	326	328	332.9	371	373	375	379.5	422	423	425	429.6	476	477	479	483.7	533	535	537	541.5	280	281	283	288.4	325	326	328	332.9	371	373	375	379.5	422	423	425	429.6	476	477	479	483.7	533	535	537	541.5
	Lo PR	127	129	132	137.6	135	137	140	145.4	142	144	147	152.3	148	149	153	158.1	153	155	158	163.7	161	162	165	170.8	127	129	132	137.6	135	137	140	145.4	142	144	147	152.3	148	149	153	158.1	153	155	158	163.7	161	162	165	170.8
	MBh	29.2	29.6	30.5	31.8	29.0	29.4	30.2	31.5	28.2	28.6	29.5	30.8	26.9	27.3	28.2	29.5	25.4	25.8	26.6	27.9	23.9	24.3	25.2	26.5	29.2	29.6	30.5	31.8	29.0	29.4	30.2	31.5	28.2	28.6	29.5	30.8	26.9	27.3	28.2	29.5	25.4	25.8	26.6	27.9	23.9	24.3	25.2	26.5
	S/T	1.00	0.90	0.76	0.6	1.00	0.91	0.76	0.6	1.00	1.00	0.79	0.6	1.00	1.00	0.86	0.7	1.00	1.00	0.88	0.7	1.00	1.00	1.00	0.7	1.00	0.90	0.76	0.6	1.00	0.91	0.76	0.6	1.00	1.00	0.79	0.6	1.00	1.00	0.86	0.7	1.00	1.00	0.88	0.7	1.00	1.00	1.00	0.7
	ΔT	25.07	23.36	20.15	16.8	25.02	23.31	20.11	16.8	25.26	23.55	20.35	17.0	25.01	23.29	20.09	16.8	24.78	23.06	19.86	16.5	25.85	24.14	20.93	17.6	25.07	23.36	20.15	16.8	25.02	23.31	20.11	16.8	25.26	23.55	20.35	17.0	25.01	23.29	20.09	16.8	24.78	23.06	19.86	16.5	25.85	24.14	20.93	17.6
	kW	1.88	1.88	1.88	1.9	2.12	2.12	2.12	2.1	2.40	2.39	2.39	2.4	2.69	2.69	2.68	2.7	3.02	3.01	3.01	3.0	3.40	3.40	3.39	3.4	1.88	1.88	1.88	1.9	2.12	2.12	2.12	2.1	2.40	2.39	2.39	2.4	2.69	2.69	2.68	2.7	3.02	3.01	3.01	3.0	3.40	3.40	3.39	3.4
	Amps	7.11	7.10	7.08	7.2	8.16	8.15	8.13	8.2	9.34	9.33	9.31	9.4	10.61	10.60	10.58	10.7	12.03	12.02	12.01	12.1	13.70	13.69	13.68	13.8	7.11	7.10	7.08	7.2	8.16	8.15	8.13	8.2	9.34	9.33	9.31	9.4	10.61	10.60	10.58	10.7	12.03	12.02	12.01	12.1	13.70	13.69	13.68	13.8
Hi PR	285	286	288	293.2	330	331	333	337.6	376	377	379	384.2	426	428	430	434.4	480	482	484	488.5	538	539	541	546.3	285	286	288	293.2	330	331	333	337.6	376	377	379	384.2	426	428	430	434.4	480	482	484	488.5	538	539	541	546.3	
Lo PR	131	132	136	141.2	139	140	143	149.0	145	147	150	155.8	151	153	156	161.6	161	163	166	171.5	168	170	173	178.6	131	132	136	141.2	139	140	143	149.0	145	147	150	155.8	151	153	156	161.6	161	163	166	171.5	168	170	173	178.6	
MBh	30.2	30.6	31.4	32.7	29.9	30.3	31.2	32.5	29.2	29.6	30.4	31.7	27.9	28.3	29.1	30.4	26.3	26.7	27.6	28.9	24.9	25.3	26.1	27.4	30.2	30.6	31.4	32.7	29.9	30.3	31.2	32.5	29.2	29.6	30.4	31.7	27.9	28.3	29.1	30.4	26.3	26.7	27.6	28.9	24.9	25.3	26.1	27.4	
S/T	1.00	0.95	0.80	0.7	1.00	0.96	0.81	0.7	1.00	1.00	0.84	0.7	1.00	1.00	0.86	0.7	1.00	1.00	0.88	0.7	1.00	1.00	1.00	0.8	1.00	0.95	0.80	0.7	1.00	0.96	0.81	0.7	1.00	1.00	0.84	0.7	1.00	1.00	0.86	0.7	1.00	1.00	0.88	0.7	1.00	1.00	1.00	0.8	
ΔT	23.50	21.78	18.58	15.3	23.45	21.73	18.53	15.2	23.69	21.98	18.77	15.5	23.43	21.72	18.52	15.2	23.20	21.49	18.29	15.0	24.28	22.56	19.36	16.0	23.50	21.78	18.58	15.3	23.45	21.73	18.53	15.2	23.69	21.98	18.77	15.5	23.43	21.72	18.52	15.2	23.20	21.49	18.29	15.0	24.28	22.56	19.36	16.0	
kW	1.90	1.90	1.90	1.9	2.14	2.14	2.14	2.2	2.41	2.41	2.41	2.4	2.71	2.71	2.70	2.7	3.02	3.03	3.03	3.0	3.42	3.42	3.41	3.4	1.90	1.90	1.90	1.9	2.14	2.14	2.14	2.2	2.41	2.41	2.41	2.4	2.71	2.71	2.70	2.7	3.02	3.03	3.03	3.0	3.42	3.42	3.41	3.4	
Amps	7.19	7.18	7.16	7.2	8.24	8.23	8.22	8.3	9.42	9.41	9.39	9.5	10.69	10.68	10.67	10.7	12.03	12.11	12.09	12.2	13.78	13.78	13.76	13.8	7.19	7.18	7.16	7.2	8.24	8.23	8.22	8.3	9.42	9.41	9.39	9.5	10.69	10.68	10.67	10.7	12.03	12.11	12.09	12.2	13.78	13.78	13.76	13.8	
Hi PR	290	291	293	297.6	334	335	337	342.1	381	382	384	388.7	431	432	434	438.9	485	486	488	493.0	543	544	546	550.7	290	291	293	297.6	334	335	337	342.1	381	382	384	388.7	431	432	434	438.9	485	486	488	493.0	543	544	546	550.7	
Lo PR	135	137	140	145.4	143	144	148	153.2	150	151	155	160.0	155	157	160	165.8	161	163	166	171.5	168	170	173	178.6	135	137	140	145.4	143	144	148	153.2	150	151	155	160.0	155	157	160	165.8	161	163	166	171.5	168	170	173	178.6	
85	MBh	29.0	29.5	30.3	31.6	28.8	29.2	30.1	31.4	28.0	28.4	29.3	30.6	26.8	27.2	28.0	29.3	25.2	25.6	26.4	27.7	23.7	24.1	25.0	26.3	29.0	29.5	30.3	31.6	28.8	29.2	30.1	31.4	28.0	28.4	29.3	30.6	26.8	27.2	28.0	29.3	25.2	25.6	26.4	27.7	23.7	24.1	25.0	26.3
	S/T	1.00	0.86	0.71	0.6	1.00	1.00	0.72	0.6	1.00	1.00	0.75	0.6	1.00	1.00	0.77	0.6	1.00	1.00	0.80	0.6	1.00	1.00	1.00	0.7	1.00	0.86	0.71	0.6	1.00	1.00	0.72	0.6	1.00	1.00	0.75	0.6	1.00	1.00	0.77	0.6	1.00	1.00	0.80	0.6	1.00	1.00	1.00	0.7
	ΔT	30.64	28.92	25.72	22.4	30.59	28.88	25.67	22.4	30.83	29.12	25.92	22.6	30.57	28.86	25.66	22.3	30.34	28.63	25.43	22.1	31.42	29.70	26.50	23.2	30.64	28.92	25.72	22.4	30.59	28.88	25.67	22.4	30.83	29.12	25.92	22.6	30.57	28.86	25.66	22.3	30.34	28.63	25.43	22.1	31.42	29.70	26.50	23.2
	kW	1.86	1.86	1.85	1.9	2.10	2.10	2.10	2.1	2.37	2.37	2.37	2.4	2.67	2.66	2.66	2.7	2.99	2.99	2.99	3.0	3.38	3.38	3.37	3.4	1.86	1.86	1.85	1.9	2.10	2.10	2.10	2.1	2.37	2.37	2.37	2.4	2.67	2.66	2.66	2.7	2.99	2.99	2.99	3.0	3.38	3.38	3.37	3.4
	Amps	7.01	7.00	6.98	7.1	8.06	8.06	8.04	8.1	9.24	9.23	9.21	9.3	10.51	10.51	10.49	10.6	11.94	11.93	11.91	12.0	13.61	13.60	13.58	13.7	7.01	7.00	6.98	7.1	8.06	8.06	8.04	8.1	9.24	9.23	9.21	9.3	10.51	10.51	10.49	10.6	11.94	11.93	11.91	12.0	13.61	13.60	13.58	13.7
	Hi PR	282	283	285	289.7	326	327	329	334.2	373	374	376	380.8	423	424	426	431.0	477	478	480	485.1	535	536	538	542.8	282	283	285	289.7	326	327	329	334.2	373	374	376	380.8	423	424</										

IDB		OUTDOOR AMBIENT TEMPERATURE												105												115											
		75						85						95						105						115											
		AIRFLOW		59	63	67	71	59		63	67	71	59		63	67	71	59		63	67	71	59		63	67	71										
<b>70</b>	<b>1000</b>	MBh	36.4	36.9	38.0	-	36.1	36.6	37.7	-	35.1	35.7	36.8	-	33.5	34.0	35.1	-	31.5	32.0	33.1	-	29.7	30.2	31.3	-											
		S/T	0.56	0.48	0.35	-	0.57	0.49	0.36	-	0.59	0.52	0.38	-	1.00	0.54	0.40	-	1.00	0.56	0.42	-	1.00	0.61	0.47	-											
		ΔT	21.02	19.14	15.61	-	20.97	19.08	15.56	-	21.24	19.35	15.83	-	20.95	19.06	15.54	-	20.70	18.81	15.29	-	21.88	19.99	16.47	-											
		kW	2.42	2.41	2.41	-	2.71	2.71	2.71	-	3.05	3.04	3.04	-	3.41	3.40	3.40	-	3.81	3.81	3.80	-	4.28	4.28	4.27	-											
		Amps	9.17	9.16	9.14	-	10.47	10.46	10.44	-	11.91	11.90	11.88	-	13.48	13.47	13.45	-	15.23	15.22	15.19	-	17.28	17.27	17.24	-											
		Hi PR	282	283	285	-	326	327	329	-	373	374	376	-	423	424	426	-	477	479	481	-	535	537	539	-											
	Lo PR	126	128	131	-	134	136	139	-	141	142	146	-	146	148	151	-	152	154	157	-	159	161	164	-												
	<b>1225</b>	MBh	37.1	37.6	38.7	-	36.8	37.3	38.4	-	35.8	36.3	37.4	-	34.2	34.7	35.8	-	32.2	32.7	33.8	-	30.3	30.8	31.9	-											
		S/T	0.66	0.58	0.45	-	0.66	0.59	0.45	-	1.00	0.61	0.48	-	1.00	0.63	0.50	-	1.00	0.65	0.52	-	1.00	0.71	0.57	-											
		ΔT	19.26	17.37	13.85	-	19.20	17.32	13.80	-	19.47	17.58	14.06	-	19.18	17.30	13.78	-	18.93	17.05	13.52	-	20.11	18.23	14.71	-											
		kW	2.44	2.44	2.43	-	2.74	2.74	2.73	-	3.07	3.07	3.06	-	3.43	3.43	3.42	-	3.83	3.83	3.83	-	4.30	4.30	4.30	-											
		Amps	9.28	9.27	9.24	-	10.57	10.56	10.54	-	12.02	12.01	11.99	-	13.58	13.57	13.55	-	15.33	15.32	15.30	-	17.38	17.37	17.35	-											
Hi PR		285	286	288	-	330	331	333	-	376	378	380	-	427	428	430	-	481	482	484	-	539	540	542	-												
Lo PR	129	131	134	-	137	138	142	-	143	145	148	-	149	151	154	-	155	156	160	-	162	163	167	-													
<b>1500</b>	MBh	38.2	38.7	39.8	-	37.9	38.4	39.5	-	36.9	37.5	38.6	-	35.3	35.8	36.9	-	33.3	33.8	34.9	-	31.5	32.0	33.1	-												
	S/T	0.70	0.63	0.49	-	0.71	0.63	0.50	-	1.00	0.66	0.52	-	1.00	0.68	0.54	-	1.00	0.70	0.56	-	1.00	1.00	0.62	-												
	ΔT	17.61	15.73	12.20	-	17.56	15.67	12.15	-	17.83	15.94	12.42	-	17.54	15.66	12.13	-	17.29	15.40	11.88	-	18.47	16.58	13.06	-												
	kW	2.46	2.46	2.46	-	2.76	2.76	2.75	-	3.09	3.09	3.09	-	3.45	3.45	3.45	-	3.86	3.85	3.85	-	4.33	4.32	4.32	-												
	Amps	9.37	9.36	9.34	-	10.67	10.66	10.64	-	12.11	12.10	12.08	-	13.68	13.67	13.65	-	15.43	15.42	15.39	-	17.48	17.47	17.45	-												
	Hi PR	289	291	293	-	334	335	337	-	381	382	384	-	431	432	434	-	485	487	489	-	543	544	546	-												
Lo PR	133	134	138	-	141	142	145	-	147	149	152	-	153	155	158	-	159	160	164	-	166	167	171	-													
<b>75</b>	<b>1000</b>	MBh	36.4	37.0	38.1	39.7	36.1	36.6	37.7	39.4	35.2	35.7	36.8	38.4	33.5	34.0	35.1	36.8	31.5	32.0	33.1	34.8	29.7	30.2	31.3	33.0											
		S/T	0.69	0.61	0.48	0.3	1.00	0.62	0.48	0.3	1.00	0.64	0.51	0.4	1.00	0.66	0.53	0.4	1.00	0.68	0.55	0.4	1.00	1.00	0.60	0.5											
		ΔT	25.17	23.28	19.76	16.1	25.12	23.23	19.71	16.1	25.38	23.50	19.97	16.3	25.10	23.21	19.69	16.0	24.85	22.96	19.44	15.8	26.03	24.14	20.62	17.0											
		kW	2.41	2.41	2.41	2.4	2.71	2.71	2.71	2.7	3.05	3.04	3.04	3.1	3.41	3.40	3.40	3.4	3.81	3.80	3.80	3.8	4.28	4.28	4.27	4.3											
		Amps	9.16	9.15	9.13	9.2	10.46	10.45	10.43	10.5	11.90	11.89	11.87	12.0	13.47	13.46	13.44	13.5	15.22	15.21	15.19	15.3	17.27	17.26	17.24	17.3											
		Hi PR	282	283	285	289.9	326	328	330	334.5	373	374	376	381.3	423	425	427	431.6	478	479	481	485.9	536	537	539	543.8											
	Lo PR	126	128	131	136.5	134	136	139	144.2	141	142	146	151.0	147	148	151	156.7	152	154	157	162.4	159	161	164	169.4												
	<b>1225</b>	MBh	37.1	37.6	38.7	40.4	36.8	37.3	38.4	40.1	35.8	36.4	37.5	39.1	34.2	34.7	35.8	37.5	32.2	32.7	33.8	35.5	30.4	30.9	32.0	33.6											
		S/T	0.79	0.71	0.58	0.4	1.00	0.72	0.58	0.4	1.00	0.74	0.61	0.5	1.00	0.76	0.63	0.5	1.00	1.00	0.65	0.5	1.00	1.00	0.70	0.6											
		ΔT	23.40	21.52	17.99	14.3	23.35	21.46	17.94	14.3	23.62	21.73	18.21	14.6	23.33	21.45	17.92	14.3	23.08	21.19	17.67	14.0	24.26	22.37	18.85	15.2											
		kW	2.44	2.44	2.43	2.5	2.74	2.73	2.73	2.8	3.07	3.07	3.06	3.1	3.43	3.43	3.42	3.4	3.83	3.83	3.82	3.8	4.30	4.30	4.30	4.3											
		Amps	9.27	9.26	9.24	9.3	10.56	10.55	10.53	10.6	12.01	12.00	11.98	12.1	13.57	13.56	13.54	13.6	15.32	15.31	15.29	15.4	17.37	17.36	17.34	17.4											
Hi PR		285	287	289	293.5	330	331	333	338.2	377	378	380	384.9	427	428	430	435.2	481	483	485	489.5	539	540	542	547.4												
Lo PR	129	131	134	139.2	137	138	142	146.9	144	145	148	153.7	149	151	154	159.4	155	156	160	165.1	162	163	167	172.1													
<b>1500</b>	MBh	38.2	38.8	39.9	41.5	37.9	38.4	39.5	41.2	37.0	37.5	38.6	40.2	35.3	35.8	36.9	38.6	33.3	33.8	34.9	36.6	31.5	32.0	33.1	34.8												
	S/T	0.83	0.75	0.62	0.5	1.00	0.76	0.63	0.5	1.00	0.79	0.65	0.5	1.00	1.00	0.67	0.5	1.00	1.00	0.69	0.6	1.00	1.00	0.74	0.6												
	ΔT	21.76	19.87	16.35	12.7	21.71	19.82	16.30	12.7	21.97	20.09	16.57	12.9	21.69	19.80	16.28	12.6	21.44	19.55	16.03	12.4	22.62	20.73	17.21	13.6												
	kW	2.46	2.46	2.45	2.5	2.76	2.76	2.75	2.8	3.09	3.09	3.08	3.1	3.45	3.45	3.44	3.5	3.85	3.85	3.85	3.9	4.32	4.32	4.32	4.3												
	Amps	9.36	9.35	9.33	9.4	10.66	10.65	10.63	10.7	12.11	12.10	12.07	12.2	13.67	13.66	13.64	13.7	15.42	15.41	15.39	15.5	17.47	17.46	17.44	17.5												
	Hi PR	290	291	293	297.8	334	335	337	342.4	381	382	384	389.1	431	433	435	439.4	486	487	489	493.7	543	545	547	551.6												
Lo PR	133	134	138	143.1	141	142	145	150.9	147	149	152	157.6	153	155	158	163.4	159	160	164	169.0	166	167	171	176.0													

IDB = Entering Indoor Dry Bulb Temperature  
 High and low pressures are measured at the liquid and suction access fittings.  
 Design Subcooling, 9-12 °F @ the liquid access fitting connection AHR1 95 test conditions. Design Superheat 7-11 °F @ the compressor suction access fitting connection.  
 Shaded area reflects AHR1 (TVA) conditions.  
 Amps: Unit amps (comp.+ evaporator + condenser fan motors)  
 kW = Total system power

IDB	AIRFLOW	OUTDOOR AMBIENT TEMPERATURE												105												115											
		65						75						85						95						105						115					
		59	63	67	71	75	79	59	63	67	71	75	79	59	63	67	71	75	79	59	63	67	71	75	79	59	63	67	71	75	79	59	63	67	71	75	79
80	1000	MBh	36.6	37.2	38.2	39.9	36.3	36.8	37.9	39.6	35.4	35.9	37.0	38.6	33.7	34.2	35.3	37.0	31.7	32.2	33.3	35.0	29.9	30.4	31.5	33.1											
		S/T	1.00	0.74	0.60	0.5	1.00	0.77	0.63	0.5	1.00	0.77	0.63	0.5	1.00	0.77	0.63	0.5	1.00	1.00	1.00	0.67	0.5	1.00	1.00	0.73	0.6										
	ΔT	29.34	27.46	23.94	20.3	29.29	27.41	23.88	20.2	29.56	27.67	24.15	20.5	29.27	27.39	23.87	20.2	29.02	27.14	23.61	20.0	30.20	28.32	24.79	21.1												
	kW	2.42	2.41	2.41	2.4	2.71	2.71	2.71	2.7	3.05	3.04	3.04	3.1	3.41	3.40	3.40	3.4	3.81	3.81	3.81	3.80	3.8	4.28	4.28	4.27	4.3											
	Amps	9.17	9.16	9.14	9.2	10.47	10.46	10.43	10.5	11.91	11.90	11.88	12.0	13.48	13.47	13.44	13.5	15.22	15.21	15.19	15.3	17.28	17.27	17.24	17.3												
	Hi PR	282	284	286	290.4	327	328	330	335.1	374	375	377	381.8	424	425	427	432.1	478	479	481	486.4	536	537	539	544.3												
	Lo PR	127	128	132	137.1	135	136	139	144.8	141	143	146	151.6	147	149	152	157.3	153	154	158	162.9	160	161	165	170.0												
	1225	MBh	37.3	37.8	38.9	40.6	37.0	37.5	38.6	40.3	36.0	36.6	37.6	39.3	34.4	34.9	36.0	37.7	32.4	32.9	34.0	35.7	30.5	31.1	32.2	33.8											
		S/T	1.00	0.83	0.70	0.6	1.00	0.84	0.71	0.6	1.00	1.00	0.73	0.6	1.00	1.00	0.75	0.6	1.00	1.00	0.77	0.6	1.00	1.00	1.00	0.7											
	ΔT	27.58	25.69	22.17	18.5	27.53	25.64	22.12	18.5	27.79	25.90	22.38	18.7	27.51	25.62	22.10	18.5	27.25	25.37	21.85	18.2	28.44	26.55	23.03	19.4												
kW	2.44	2.44	2.43	2.5	2.74	2.74	2.73	2.8	3.07	3.07	3.06	3.1	3.43	3.43	3.42	3.4	3.83	3.83	3.83	3.83	3.8	4.30	4.30	4.30	4.3												
Amps	9.28	9.26	9.24	9.3	10.57	10.56	10.54	10.6	12.02	12.01	11.98	12.1	13.58	13.57	13.55	13.6	15.33	15.32	15.30	15.4	17.38	17.37	17.35	17.4													
Hi PR	286	287	289	294.1	331	332	334	338.7	377	378	380	385.4	428	429	431	435.7	482	483	485	490.0	540	541	543	547.9													
Lo PR	130	131	134	139.8	137	139	142	147.5	144	146	149	154.3	150	151	155	160.0	155	157	160	165.6	162	164	167	172.7													
1500	1000	MBh	38.4	39.0	40.0	41.7	38.1	38.6	39.7	41.4	37.2	37.7	38.8	40.4	35.5	36.0	37.1	38.8	33.5	34.0	35.1	36.8	31.7	32.2	33.3	34.9											
		S/T	1.00	0.88	0.74	0.6	1.00	0.88	0.75	0.6	1.00	1.00	0.78	0.6	1.00	1.00	0.79	0.7	1.00	1.00	0.82	0.7	1.00	1.00	1.00	0.7											
	ΔT	25.93	24.05	20.53	16.9	25.88	24.00	20.48	16.8	26.15	24.26	20.74	17.1	25.86	23.98	20.46	16.8	25.61	23.73	20.20	16.6	26.79	24.91	21.39	17.7												
	kW	2.46	2.46	2.45	2.5	2.76	2.76	2.75	2.8	3.09	3.09	3.09	3.1	3.45	3.45	3.45	3.5	3.85	3.85	3.85	3.85	3.9	4.33	4.32	4.32	4.3											
	Amps	9.37	9.36	9.34	9.4	10.67	10.66	10.63	10.7	12.11	12.10	12.08	12.2	13.68	13.67	13.64	13.7	15.42	15.41	15.39	15.5	17.48	17.47	17.44	17.5												
	Hi PR	290	291	293	298.3	335	336	338	342.9	381	383	385	389.6	432	433	435	440.0	486	487	489	494.2	544	545	547	552.1												
	Lo PR	133	135	138	143.7	141	143	146	151.4	148	150	153	158.2	154	155	159	163.9	159	161	164	169.5	166	168	171	176.6												
	85	1000	MBh	37.3	37.8	38.9	40.5	36.9	37.4	38.5	40.2	36.0	36.5	37.6	39.3	34.3	34.8	35.9	37.6	32.3	32.8	33.9	35.6	30.5	31.0	32.1	33.8										
			S/T	1.00	0.84	0.70	0.6	1.00	1.00	0.71	0.6	1.00	1.00	0.73	0.6	1.00	1.00	0.75	0.6	1.00	1.00	0.82	0.6	1.00	1.00	1.00	0.7										
		ΔT	33.05	31.16	27.64	24.0	33.00	31.11	27.59	23.9	33.26	31.37	27.85	24.2	32.98	31.09	27.57	23.9	32.72	30.84	27.32	23.7	33.91	32.02	28.50	24.8											
kW		2.42	2.42	2.41	2.4	2.72	2.72	2.71	2.7	3.05	3.05	3.04	3.1	3.41	3.41	3.40	3.4	3.81	3.81	3.81	3.81	3.8	4.29	4.28	4.28	4.3											
Amps		9.20	9.19	9.16	9.3	10.49	10.48	10.46	10.6	11.94	11.93	11.90	12.0	13.50	13.49	13.47	13.6	15.25	15.24	15.22	15.3	17.30	17.29	17.27	17.4												
Hi PR		284	285	287	291.8	328	329	331	336.4	375	376	378	383.1	425	427	429	433.5	480	481	483	487.7	537	539	541	545.6												
Lo PR		129	130	134	139.0	136	138	141	146.7	143	145	148	153.5	149	151	154	159.2	155	156	159	164.8	162	163	166	171.9												
1225		MBh	37.9	38.5	39.5	41.2	37.6	38.1	39.2	40.9	36.7	37.2	38.3	39.9	35.0	35.5	36.6	38.3	33.0	33.5	34.6	36.3	31.2	31.7	32.8	34.4											
		S/T	1.00	0.93	0.80	0.7	1.00	1.00	0.81	0.7	1.00	1.00	0.83	0.7	1.00	1.00	0.85	0.7	1.00	1.00	0.82	0.7	1.00	1.00	1.00	0.8											
ΔT		31.28	29.39	25.87	22.2	31.23	29.34	25.82	22.2	31.49	29.61	26.09	22.4	31.21	29.32	25.80	22.2	30.96	29.07	25.55	21.9	32.14	30.25	26.73	23.1												
kW	2.45	2.44	2.44	2.5	2.74	2.74	2.74	2.8	3.08	3.07	3.07	3.1	3.44	3.43	3.43	3.5	3.84	3.84	3.84	3.83	3.9	4.31	4.31	4.30	4.3												
Amps	9.30	9.29	9.27	9.4	10.60	10.58	10.56	10.7	12.04	12.03	12.01	12.1	13.61	13.60	13.57	13.7	15.35	15.34	15.32	15.4	17.40	17.39	17.37	17.5													
Hi PR	287	288	290	295.4	332	333	335	340.0	379	380	382	386.7	429	430	432	437.1	483	484	486	491.3	541	542	544	549.2													
Lo PR	131	133	136	141.7	139	141	144	149.4	146	148	151	156.2	152	153	157	161.9	157	159	162	167.5	164	166	169	174.6													
1500	MBh	39.1	39.6	40.7	42.3	38.7	39.2	40.3	42.0	37.8	38.3	39.4	41.1	36.1	36.6	37.7	39.4	34.1	34.6	35.7	37.4	32.3	32.8	33.9	35.6												
	S/T	1.00	1.00	0.84	0.7	1.00	1.00	0.85	0.7	1.00	1.00	0.88	0.7	1.00	1.00	0.90	0.8	1.00	1.00	0.82	0.7	1.00	1.00	1.00	0.8												
ΔT	29.64	27.75	24.23	20.6	29.59	27.70	24.18	20.5	29.85	27.97	24.44	20.8	29.57	27.68	24.16	20.5	29.32	27.43	23.91	20.3	30.50	28.61	25.09	21.4													
kW	2.47	2.47	2.46	2.5	2.77	2.76	2.76	2.8	3.10	3.10	3.09	3.1	3.46	3.46	3.45	3.5	3.86	3.86	3.86	3.85	3.9	4.33	4.33	4.32	4.3												
Amps	9.40	9.39	9.36	9.5	10.69	10.68	10.66	10.8	12.14	12.13	12.10	12.2	13.70	13.69	13.67	13.8	15.45	15.44	15.42	15.5	17.50	17.49	17.47	17.6													
Hi PR	291	293	295	299.6	336	337	339	344.2	383	384	386	391.0	433	434	436	441.3	487	489	491	495.6	545	547	549	553.5													
Lo PR	135	137	140	145.6	143	145	148	153.3	150	151	155	160.1	156	157	160	165.8	161	163	166	171.5	168	170	173	178.5													

IDB = Entering Indoor Dry Bulb Temperature  
 High and low pressures are measured at the liquid and suction access fittings.  
 Design Subcooling, 9-12 °F @ the liquid access fitting connection AHRI 95 test conditions. Design Superheat 7-11°F @ the compressor suction access fitting connection.  
 Shaded area reflects AHRI conditions.  
 Amps: Unit amps (comp.+ evaporator + condenser fan motors)  
 KW = Total system power

IDB		OUTDOOR AMBIENT TEMPERATURE												105												115																
		65						75						85						95						105						115										
		AIRFLOW		59	63	67	71	59	63	67	71	59	63	67	71	59	63	67	71	59	63	67	71	59	63	67	71	59	63	67	71	59	63	67	71							
<b>70</b>	<b>1000</b>	MBh	39.4	40.0	41.2	-	39.1	39.6	40.8	-	38.0	38.6	39.8	-	36.2	36.8	38.0	-	34.1	34.6	35.8	-	32.1	32.6	33.8	-	30.1	30.6	31.8	-	28.1	28.6	29.8	-	26.1	26.6	27.8	-				
		S/T	0.55	0.47	0.34	-	0.55	0.48	0.35	-	1.00	0.50	0.37	-	1.00	0.52	0.39	-	1.00	0.54	0.41	-	1.00	0.56	0.43	-	1.00	0.58	0.45	-	1.00	0.60	0.47	-	1.00	0.62	0.49	-				
		ΔT	21.21	19.32	15.80	-	21.16	19.27	15.75	-	21.42	19.54	16.02	-	21.14	19.25	15.73	-	20.89	19.00	15.48	-	20.64	18.75	15.23	-	20.39	18.50	14.98	-	20.14	18.25	14.73	-	19.89	18.00	14.48	-				
		kW	2.60	2.60	2.59	-	2.93	2.92	2.92	-	3.29	3.29	3.28	-	3.69	3.69	3.68	-	4.13	4.13	4.12	-	4.57	4.57	4.56	-	5.01	5.01	5.00	-	5.45	5.45	5.44	-	5.89	5.89	5.88	-				
		Amps	9.98	9.97	9.95	-	11.41	11.39	11.37	-	12.99	12.98	12.96	-	14.71	14.70	14.68	-	16.64	16.62	16.60	-	18.69	18.67	18.65	-	20.89	20.87	20.85	-	23.24	23.22	23.20	-	25.74	25.72	25.70	-				
		Hi PR	287	288	290	-	332	333	335	-	380	381	383	-	431	432	434	-	486	488	490	-	545	547	549	-	605	607	609	-	665	667	669	-	725	727	729	-				
	Lo PR	128	130	133	-	136	138	141	-	143	145	148	-	149	151	154	-	155	156	160	-	162	164	167	-	169	171	174	-	176	178	181	-	183	185	188	-					
	<b>1250</b>	MBh	40.2	40.8	41.9	-	39.8	40.4	41.6	-	38.8	39.4	40.6	-	37.0	37.6	38.8	-	34.8	35.4	36.6	-	32.9	33.4	34.6	-	31.0	31.5	32.7	-	29.1	29.6	30.8	-	27.2	27.7	28.9	-	25.3	25.8	27.0	-
		S/T	0.66	0.58	0.45	-	0.66	0.59	0.45	-	1.00	0.61	0.48	-	1.00	0.63	0.50	-	1.00	0.65	0.52	-	1.00	0.67	0.54	-	1.00	0.69	0.56	-	1.00	0.71	0.58	-	1.00	0.73	0.60	-				
		ΔT	19.26	17.37	13.85	-	19.20	17.32	13.80	-	19.47	17.58	14.06	-	19.18	17.30	13.78	-	18.93	17.05	13.52	-	18.68	16.80	13.27	-	18.43	16.55	13.02	-	18.18	16.30	12.77	-	17.93	16.05	12.52	-				
		kW	2.63	2.63	2.62	-	2.96	2.95	2.95	-	3.32	3.32	3.31	-	3.72	3.71	3.71	-	4.16	4.16	4.15	-	4.60	4.60	4.59	-	5.04	5.04	5.03	-	5.48	5.48	5.47	-	5.92	5.92	5.91	-				
		Amps	10.11	10.10	10.07	-	11.53	11.52	11.50	-	13.12	13.11	13.09	-	14.84	14.83	14.81	-	16.76	16.75	16.73	-	18.81	18.79	18.77	-	20.97	20.95	20.93	-	23.24	23.22	23.20	-	25.61	25.59	25.57	-				
Hi PR		291	292	294	-	336	337	339	-	384	385	387	-	435	436	438	-	490	492	494	-	549	551	553	-	609	611	613	-	669	671	673	-	729	731	733	-					
Lo PR	131	133	136	-	139	141	144	-	146	148	151	-	152	154	157	-	158	159	163	-	165	167	170	-	172	174	177	-	179	181	184	-										
<b>1500</b>	MBh	41.3	41.8	43.0	-	40.9	41.5	42.7	-	39.9	40.4	41.6	-	38.1	38.6	39.8	-	35.9	36.5	37.7	-	33.9	34.5	35.7	-	32.0	32.6	33.8	-	30.1	30.7	31.9	-	28.2	28.8	30.0	-	26.3	26.9	28.1	-	
	S/T	0.70	0.63	0.49	-	0.71	0.63	0.50	-	1.00	0.66	0.52	-	1.00	0.68	0.54	-	1.00	0.70	0.56	-	1.00	0.72	0.58	-	1.00	0.74	0.60	-	1.00	0.76	0.62	-									
	ΔT	17.78	15.89	12.37	-	17.72	15.84	12.32	-	17.99	16.10	12.58	-	17.71	15.82	12.30	-	17.45	15.57	12.05	-	17.20	15.32	11.80	-	16.95	15.07	11.55	-	16.70	14.82	11.30	-	16.45	14.57	11.05	-					
	kW	2.65	2.65	2.64	-	2.98	2.98	2.97	-	3.34	3.34	3.34	-	3.74	3.74	3.73	-	4.18	4.18	4.17	-	4.62	4.62	4.61	-	5.06	5.06	5.05	-	5.50	5.50	5.49	-	5.94	5.94	5.93	-					
	Amps	10.20	10.19	10.17	-	11.63	11.62	11.59	-	13.22	13.21	13.18	-	14.94	14.92	14.90	-	16.86	16.85	16.82	-	18.91	18.89	18.87	-	21.07	21.05	21.03	-	23.34	23.32	23.30	-	25.71	25.69	25.67	-					
	Hi PR	294	296	298	-	340	341	343	-	388	389	391	-	439	440	442	-	494	496	498	-	553	555	557	-	613	615	617	-	673	675	677	-	733	735	737	-					
Lo PR	135	137	140	-	143	144	148	-	150	151	155	-	156	157	160	-	161	163	166	-	168	170	173	-	175	177	180	-	182	184	187	-										
<b>75</b>	<b>1000</b>	MBh	39.4	40.0	41.2	43.0	39.1	39.6	40.8	42.6	38.0	38.6	39.8	41.6	36.3	36.8	38.0	39.8	34.1	34.6	35.8	37.6	32.1	32.6	33.8	35.6																
		S/T	0.68	0.60	0.47	0.3	1.00	0.61	0.47	0.3	1.00	0.63	0.50	0.4	1.00	0.65	0.52	0.4	1.00	0.67	0.54	0.4	1.00	0.69	0.56	0.4																
		ΔT	25.36	23.47	19.95	16.3	25.31	23.42	19.90	16.2	25.57	23.68	20.16	16.5	25.29	23.40	19.88	16.2	25.03	23.15	19.63	16.0	24.77	22.89	19.37	15.7																
		kW	2.60	2.60	2.59	2.6	2.93	2.92	2.92	2.9	3.29	3.29	3.28	3.3	3.69	3.68	3.68	3.7	4.13	4.13	4.12	4.1	4.57	4.57	4.56	4.6																
		Amps	9.97	9.96	9.94	10.0	11.40	11.39	11.36	11.5	12.99	12.97	12.95	13.1	14.70	14.69	14.67	14.8	16.63	16.61	16.59	16.7	18.69	18.67	18.65	18.8																
		Hi PR	287	288	290	295.2	332	334	336	340.7	380	381	383	388.3	431	433	435	439.6	487	488	490	494.9	546	547	549	554.0																
	Lo PR	128	130	133	138.9	136	138	141	146.7	143	145	148	153.6	149	151	154	159.5	155	156	160	165.2	162	164	167	172.4																	
	<b>1250</b>	MBh	40.2	40.8	42.0	43.8	39.9	40.4	41.6	43.4	38.8	39.4	40.6	42.4	37.0	37.6	38.8	40.6	34.9	35.4	36.6	38.4	32.9	33.4	34.6	36.4																
		S/T	0.79	0.71	0.58	0.4	1.00	0.72	0.58	0.4	1.00	0.74	0.61	0.5	1.00	0.76	0.63	0.5	1.00	0.78	0.65	0.5	1.00	0.80	0.67	0.6																
		ΔT	23.40	21.52	17.99	14.3	23.35	21.46	17.94	14.3	23.62	21.73	18.21	14.6	23.33	21.45	17.92	14.3	23.08	21.19	17.67	14.0	22.83	20.94	17.42	13.7																
		kW	2.63	2.62	2.62	2.6	2.95	2.95	2.95	3.0	3.32	3.32	3.31	3.3	3.72	3.71	3.71	3.7	4.16	4.15	4.15	4.2	4.60	4.60	4.59	4.6																
		Amps	10.10	10.09	10.06	10.2	11.52	11.51	11.49	11.6	13.11	13.10	13.08	13.2	14.83	14.82	14.80	14.9	16.75	16.74	16.72	16.8	18.91	18.89	18.87	19.1																
Hi PR		291	292	294	299.2	336	338	340	344.7	384	385	387	392.4	435	437	439	443.7	491	492	494	499.0	550	551	553	558.0																	
Lo PR	131	133	136	141.9	139	141	144	149.7	146	148	151	156.6	152	154	157	162.5	158	159	163	168.2	165	167	170	175.4																		
<b>1500</b>	MBh	41.3	41.8	43.0	44.8	40.9	41.5	42.7	44.5	39.9	40.5	41.6	43.4	38.1	38.7	39.9	41.7	35.9	36.5	37.7	39.5	33.9	34.5	35.7	37.5																	
	S/T	1.00	0.75	0.62	0.5	1.00	0.76	0.63	0.5	1.00	0.78	0.65	0.5	1.00	0.80	0.67	0.5	1.00	0.82	0.69	0.5	1.00	0.84	0.71	0.6																	
	ΔT	21.92	20.04	16.52	12.9	21.87	19.99	16.46	12.8	22.14	20.25	16.73	13.1	21.85	19.97	16.44	12.8	21.60	19.71	16.19	12.5	21.35	19.46	15.94	12.2																	
	kW	2.65	2.65	2.64	2.7	2.98	2.97	2.97	3.0	3.34	3.34	3.33	3.4	3.74	3.73	3.73	3.8	4.18	4.18	4.17	4.2	4.62	4.62	4.61	4.7																	
	Amps	10.19	10.18	10.16	10.3	11.62	11.61	11.58	11.7	13.21	13.20	13.17	13.3	14.93	14.92	14.89	15.0	16.85	16.84	16.81	16.9	18.91	18.89	18.87	19.1																	
	Hi PR	295	296	298	303.1	340	341	344	348.5	388	389	391	396.2	439	440	442	447.5	495	496	498	502.8	554	555	557	561.8																	
Lo PR	135	137	140	145.4	143	144	148	153.3	150	151	155	160.2	156	157	160	166.0	161	163	166	171.7	168	170	173	178.9																		

IDB = Entering Indoor Dry Bulb Temperature  
 High and low pressures are measured at the liquid and suction access fittings.  
 Design Subcooling, 8-12 °F @ the liquid access fitting connection AHR1 95 test conditions. Design Superheat 8-12°F @ the compressor suction access fitting connection.  
 Shaded area reflects AHR1 (TVA) conditions.  
 Amps: Unit amps (comp.+ evaporator + condenser fan motors)  
 kW = Total system power

IDB	AIRFLOW	OUTDOOR AMBIENT TEMPERATURE												105												115											
		65						75						85						95						105						115					
		59	63	67	71	75	79	59	63	67	71	75	79	59	63	67	71	75	79	59	63	67	71	75	79	59	63	67	71	75	79	59	63	67	71	75	79
80	1000	MBh	39.6	40.2	41.4	43.2	39.3	39.8	41.0	42.8	38.2	38.8	40.0	41.8	36.5	37.0	38.2	40.0	34.3	34.8	36.0	37.8	32.3	32.9	34.0	35.8	32.3	32.9	34.0	35.8	30.39	28.50	24.98	21.3			
		S/T	1.00	0.72	0.59	0.4	1.00	0.73	0.60	0.5	1.00	1.00	0.62	0.5	1.00	1.00	0.64	0.5	1.00	1.00	0.66	0.5	1.00	1.00	0.6	0.6	1.00	1.00	0.6	0.6	1.00	1.00	0.6	0.6			
		ΔT	29.53	27.65	24.12	20.5	29.48	27.59	24.07	20.4	29.75	27.86	24.34	20.7	29.46	27.58	24.05	20.4	29.21	27.32	23.80	20.2	29.21	27.32	23.80	20.2	29.21	27.32	23.80	20.2	29.21	27.32	23.80	20.2			
		kW	2.60	2.60	2.59	2.6	2.93	2.92	2.92	2.9	3.29	3.29	3.28	3.3	3.69	3.69	3.68	3.7	4.13	4.13	4.12	4.1	4.65	4.65	4.64	4.7	4.65	4.65	4.64	4.7	4.65	4.65	4.64	4.7			
		Amps	9.98	9.97	9.94	10.1	11.40	11.39	11.37	11.5	12.99	12.98	12.96	13.1	14.71	14.70	14.68	14.8	16.63	16.62	16.60	16.7	18.89	18.88	18.85	19.0	18.89	18.88	18.85	19.0	18.89	18.88	18.85	19.0			
		Hi PR	287	289	291	295.7	333	334	336	341.2	381	382	384	388.9	432	433	435	440.2	487	488	490	495.5	546	547	549	554.5	546	547	549	554.5	546	547	549	554.5			
	Lo PR	129	131	134	139.4	137	139	142	147.3	144	145	149	154.2	150	151	155	160.1	155	157	160	165.8	163	164	167	173.0	163	164	167	173.0	163	164	167	173.0				
	1250	MBh	40.4	41.0	42.2	44.0	40.1	40.6	41.8	43.6	39.0	39.6	40.8	42.6	37.3	37.8	39.0	40.8	35.1	35.6	36.8	38.6	33.1	33.6	34.8	36.6	33.1	33.6	34.8	36.6	33.1	33.6	34.8	36.6			
		S/T	1.00	0.83	0.70	0.6	1.00	0.84	0.71	0.6	1.00	1.00	0.73	0.6	1.00	1.00	0.75	0.6	1.00	1.00	0.77	0.6	1.00	1.00	0.7	0.7	1.00	1.00	0.7	0.7	1.00	1.00	0.7	0.7			
		ΔT	27.58	25.69	22.17	18.5	27.53	25.64	22.12	18.5	27.79	25.90	22.38	18.7	27.51	25.62	22.10	18.5	27.25	25.37	21.85	18.2	28.44	26.55	23.03	19.4	28.44	26.55	23.03	19.4	28.44	26.55	23.03	19.4			
		kW	2.63	2.63	2.62	2.6	2.96	2.95	2.95	3.0	3.32	3.32	3.31	3.3	3.72	3.71	3.71	3.7	4.16	4.16	4.15	4.2	4.68	4.67	4.67	4.7	4.68	4.67	4.67	4.7	4.68	4.67	4.67	4.7			
		Amps	10.11	10.10	10.07	10.2	11.53	11.52	11.49	11.6	13.12	13.11	13.08	13.2	14.84	14.83	14.80	14.9	16.76	16.75	16.72	16.8	19.01	19.00	18.98	19.1	19.01	19.00	18.98	19.1	19.01	19.00	18.98	19.1			
Hi PR		291	293	295	299.8	337	338	340	345.2	385	386	388	392.9	436	437	439	444.2	491	492	494	499.5	550	551	554	558.5	550	551	554	558.5	550	551	554	558.5				
Lo PR	132	134	137	142.4	140	142	145	150.3	147	148	152	157.2	153	154	158	163.1	158	160	163	168.8	166	167	170	176.0	166	167	170	176.0	166	167	170	176.0					
85	1000	MBh	41.5	42.0	43.2	45.0	41.1	41.7	42.9	44.7	40.1	40.7	41.8	43.7	38.3	38.9	40.1	41.9	36.1	36.7	37.9	39.7	34.1	34.7	35.9	37.7	34.1	34.7	35.9	37.7	34.1	34.7	35.9	37.7			
		S/T	1.00	0.88	0.74	0.6	1.00	0.88	0.75	0.6	1.00	1.00	0.77	0.6	1.00	1.00	0.79	0.7	1.00	1.00	0.81	0.7	1.00	1.00	0.7	0.7	1.00	1.00	0.7	0.7	1.00	1.00	0.7	0.7			
		ΔT	26.10	24.21	20.69	17.0	26.05	24.16	20.64	17.0	26.31	24.43	20.90	17.3	26.03	24.14	20.62	17.0	25.78	23.89	20.37	16.7	26.96	25.07	21.55	17.9	26.96	25.07	21.55	17.9	26.96	25.07	21.55	17.9			
		kW	2.65	2.65	2.64	2.7	2.98	2.98	2.97	3.0	3.34	3.34	3.34	3.4	3.74	3.74	3.73	3.8	4.18	4.18	4.17	4.2	4.70	4.70	4.69	4.7	4.70	4.70	4.69	4.7	4.70	4.70	4.69	4.7			
		Amps	10.20	10.19	10.17	10.3	11.63	11.61	11.59	11.7	13.21	13.20	13.18	13.3	14.93	14.92	14.90	15.0	16.86	16.84	16.82	16.9	19.11	19.10	19.07	19.2	19.11	19.10	19.07	19.2	19.11	19.10	19.07	19.2			
		Hi PR	295	297	299	303.6	341	342	344	349.1	388	390	392	396.7	440	441	443	448.0	495	496	498	503.3	554	555	557	562.4	554	555	557	562.4	554	555	557	562.4			
	Lo PR	136	137	140	145.9	143	145	148	153.8	150	152	155	160.7	156	158	161	166.6	162	163	167	172.3	169	171	174	179.5	169	171	174	179.5	169	171	174	179.5				
	1250	MBh	40.3	40.9	42.0	43.9	39.9	40.5	41.7	43.5	38.9	39.5	40.7	42.5	37.1	37.7	38.9	40.7	35.0	35.5	36.7	38.5	33.0	33.5	34.7	36.5	33.0	33.5	34.7	36.5	33.0	33.5	34.7	36.5			
		S/T	1.00	0.82	0.69	0.5	1.00	0.80	0.70	0.6	1.00	1.00	0.72	0.6	1.00	1.00	0.74	0.6	1.00	1.00	0.76	0.6	1.00	1.00	0.7	0.7	1.00	1.00	0.7	0.7	1.00	1.00	0.7	0.7			
		ΔT	33.24	31.35	27.83	24.2	33.18	31.30	27.78	24.1	33.45	31.56	28.04	24.4	33.16	31.28	27.76	24.1	32.91	31.03	27.50	23.9	34.09	32.21	28.69	25.0	34.09	32.21	28.69	25.0	34.09	32.21	28.69	25.0			
		kW	2.61	2.60	2.60	2.6	2.93	2.93	2.92	2.9	3.30	3.30	3.29	3.3	3.69	3.69	3.69	3.7	4.14	4.13	4.13	4.2	4.65	4.65	4.65	4.7	4.65	4.65	4.65	4.7	4.65	4.65	4.65	4.7			
		Amps	10.01	10.00	9.97	10.1	11.43	11.42	11.40	11.5	13.02	13.01	12.98	13.1	14.74	14.73	14.70	14.8	16.66	16.65	16.63	16.7	18.91	18.90	18.88	19.0	18.91	18.90	18.88	19.0	18.91	18.90	18.88	19.0			
Hi PR		289	290	292	297.1	334	336	338	342.6	382	383	385	390.2	433	434	436	441.5	489	490	492	496.8	548	549	551	555.9	548	549	551	555.9	548	549	551	555.9				
Lo PR	131	133	136	141.4	139	140	144	149.3	146	147	151	156.2	152	153	156	162.0	157	159	162	167.7	164	166	169	174.9	164	166	169	174.9	164	166	169	174.9					
1500	MBh	41.1	41.7	42.8	44.7	40.7	41.3	42.5	44.3	39.7	40.3	41.5	43.3	37.9	38.5	39.7	41.5	35.7	36.3	37.5	39.3	33.8	34.3	35.5	37.3	33.8	34.3	35.5	37.3	33.8	34.3	35.5	37.3				
	S/T	1.00	1.00	0.80	0.7	1.00	1.00	0.81	0.7	1.00	1.00	0.83	0.7	1.00	1.00	0.85	0.7	1.00	1.00	0.87	0.7	1.00	1.00	0.8	0.8	1.00	1.00	0.8	0.8	1.00	1.00	0.8	0.8				
	ΔT	31.28	29.39	25.87	22.2	31.23	29.34	25.82	22.2	31.49	29.61	26.09	22.4	31.21	29.32	25.80	22.2	30.96	29.07	25.55	21.9	32.14	30.25	26.73	23.1	32.14	30.25	26.73	23.1	32.14	30.25	26.73	23.1				
	kW	2.63	2.63	2.63	2.7	2.96	2.96	2.95	3.0	3.33	3.33	3.32	3.3	3.72	3.72	3.72	3.7	4.17	4.16	4.16	4.2	4.68	4.68	4.68	4.7	4.68	4.68	4.68	4.7	4.68	4.68	4.68	4.7				
	Amps	10.13	10.12	10.10	10.2	11.56	11.55	11.52	11.6	13.15	13.14	13.11	13.2	14.87	14.85	14.83	14.9	16.79	16.78	16.75	16.9	19.04	19.03	19.01	19.1	19.04	19.03	19.01	19.1	19.04	19.03	19.01	19.1				
	Hi PR	293	294	296	301.1	338	340	342	346.6	386	387	389	394.2	437	438	441	445.6	493	494	496	500.9	552	553	555	559.9	552	553	555	559.9	552	553	555	559.9				
Lo PR	134	136	139	144.4	142	143	147	152.3	149	150	154	159.2	155	156	159	165.0	160	162	165	170.7	167	169	172	177.9	167	169	172	177.9	167	169	172	177.9					

IDB = Entering Indoor Dry Bulb Temperature  
 High and low pressures are measured at the liquid and suction access fittings.  
 Design Subcooling, 8-12 °F @ the liquid access fitting connection AHR1 95 test conditions. Design Superheat 8-12°F @ the compressor suction access fitting connection.  
 Shaded area reflects AHR1 conditions.  
 Amps: Unit amps (comp.+ evaporator + condenser fan motors)  
 kW = Total system power

IDB		OUTDOOR AMBIENT TEMPERATURE												105												115											
		65						75						85						95						105						115					
		AIRFLOW		59	63	67	71	59	63	67	71	59	63	67	71	59	63	67	71	59	63	67	71	59	63	67	71	59	63	67	71	59	63	67	71		
<b>70</b>	<b>1400</b>	MBh	46.0	46.7	48.1	-	45.6	46.3	47.7	-	44.4	45.1	46.5	-	42.4	43.0	44.4	-	39.9	40.5	41.9	-	37.6	38.2	39.6	-	39.9	40.5	41.9	-	37.6	38.2	39.6	-			
		S/T	0.65	0.57	0.43	-	0.65	0.58	0.44	-	0.68	0.60	0.46	-	1.00	0.62	0.48	-	1.00	0.64	0.51	-	1.00	0.70	0.56	-	1.00	0.64	0.51	-	1.00	0.70	0.56	-			
		ΔT	18.93	17.13	13.77	-	18.88	17.08	13.72	-	19.14	17.34	13.97	-	18.87	17.06	13.70	-	18.62	16.82	13.46	-	19.75	17.95	14.59	-	18.62	16.82	13.46	-	19.75	17.95	14.59	-			
		kW	3.04	3.04	3.03	-	3.41	3.41	3.40	-	3.83	3.83	3.82	-	4.28	4.28	4.27	-	4.78	4.78	4.77	-	5.37	5.37	5.36	-	4.78	4.78	4.77	-	5.37	5.37	5.36	-			
		Amps	11.26	11.24	11.22	-	12.88	12.87	12.84	-	14.69	14.68	14.65	-	16.65	16.64	16.61	-	18.84	18.83	18.80	-	21.41	21.40	21.37	-	18.84	18.83	18.80	-	21.41	21.40	21.37	-			
		Hi PR	270	272	274	-	313	314	316	-	358	359	361	-	405	407	409	-	457	458	460	-	512	514	515	-	457	458	460	-	512	514	515	-			
	Lo PR	127	129	132	-	135	136	140	-	142	143	146	-	147	149	152	-	153	154	158	-	160	161	165	-	153	154	158	-	160	161	165	-				
	<b>1500</b>	MBh	46.4	47.0	48.4	-	46.0	46.6	48.0	-	44.8	45.4	46.8	-	42.7	43.4	44.7	-	40.2	40.9	42.2	-	37.9	38.6	39.9	-	40.2	40.9	42.2	-	37.9	38.6	39.9	-			
		S/T	0.68	0.60	0.46	-	0.68	0.60	0.47	-	0.71	0.63	0.49	-	1.00	0.65	0.51	-	1.00	0.67	0.53	-	1.00	0.72	0.59	-	1.00	0.67	0.53	-	1.00	0.72	0.59	-			
		ΔT	18.38	16.58	13.22	-	18.33	16.53	13.17	-	18.58	16.78	13.42	-	18.31	16.51	13.15	-	18.07	16.27	12.91	-	19.20	17.40	14.04	-	18.07	16.27	12.91	-	19.20	17.40	14.04	-			
		kW	3.05	3.05	3.04	-	3.42	3.42	3.41	-	3.84	3.83	3.83	-	4.29	4.29	4.28	-	4.79	4.79	4.78	-	5.38	5.38	5.37	-	4.79	4.79	4.78	-	5.38	5.38	5.37	-			
		Amps	11.30	11.29	11.26	-	12.92	12.91	12.88	-	14.73	14.72	14.69	-	16.69	16.68	16.65	-	18.88	18.87	18.84	-	21.45	21.44	21.41	-	18.88	18.87	18.84	-	21.45	21.44	21.41	-			
Hi PR		272	273	275	-	314	315	317	-	359	360	362	-	407	408	410	-	458	460	461	-	514	515	517	-	458	460	461	-	514	515	517	-				
Lo PR	128	130	133	-	136	137	141	-	143	144	147	-	148	150	153	-	154	155	159	-	161	162	166	-	154	155	159	-	161	162	166	-					
<b>1700</b>	MBh	47.2	47.8	49.2	-	46.7	47.4	48.8	-	45.6	46.2	47.6	-	43.5	44.1	45.5	-	41.0	41.6	43.0	-	38.7	39.3	40.7	-	41.0	41.6	43.0	-	38.7	39.3	40.7	-				
	S/T	0.71	0.63	0.50	-	0.72	0.64	0.50	-	1.00	0.67	0.53	-	1.00	0.69	0.55	-	1.00	0.71	0.57	-	1.00	1.00	0.62	-	1.00	0.71	0.57	-	1.00	1.00	0.62	-				
	ΔT	17.41	15.61	12.25	-	17.36	15.56	12.20	-	17.61	15.81	12.45	-	17.34	15.54	12.18	-	17.10	15.30	11.94	-	18.23	16.43	13.06	-	17.10	15.30	11.94	-	18.23	16.43	13.06	-				
	kW	3.07	3.06	3.06	-	3.44	3.44	3.43	-	3.86	3.85	3.85	-	4.31	4.30	4.30	-	4.81	4.81	4.80	-	5.40	5.40	5.39	-	4.81	4.81	4.80	-	5.40	5.40	5.39	-				
	Amps	11.37	11.36	11.33	-	13.00	12.98	12.96	-	14.81	14.80	14.77	-	16.77	16.76	16.73	-	18.96	18.95	18.92	-	21.53	21.52	21.49	-	18.96	18.95	18.92	-	21.53	21.52	21.49	-				
	Hi PR	274	275	277	-	317	318	320	-	361	362	364	-	409	410	412	-	461	462	464	-	516	517	519	-	461	462	464	-	516	517	519	-				
Lo PR	130	132	135	-	138	140	143	-	145	146	150	-	150	152	155	-	156	158	161	-	163	165	168	-	156	158	161	-	163	165	168	-					
<b>75</b>	<b>1400</b>	MBh	46.1	46.7	48.1	50.2	45.7	46.3	47.7	49.8	44.5	45.1	46.5	48.6	42.4	43.1	44.4	46.5	39.9	40.5	41.9	44.0	37.6	38.3	39.6	41.7	39.9	40.5	41.9	44.0	37.6	38.3	39.6	41.7			
		S/T	0.78	0.70	0.56	0.4	1.00	0.71	0.57	0.4	1.00	0.73	0.59	0.4	1.00	0.75	0.61	0.5	1.00	0.77	0.64	0.5	1.00	1.00	0.69	0.5	1.00	0.77	0.64	0.5	1.00	1.00	0.69	0.5			
		ΔT	22.84	21.09	17.73	14.2	22.84	21.04	17.68	14.2	23.10	21.29	17.93	14.5	22.82	21.02	17.66	14.2	22.58	20.78	17.42	13.9	23.71	21.91	18.55	15.1	22.58	20.78	17.42	13.9	23.71	21.91	18.55	15.1			
		kW	3.04	3.03	3.03	3.1	3.41	3.41	3.40	3.4	3.83	3.82	3.82	3.8	4.28	4.27	4.27	4.3	4.78	4.78	4.77	4.8	5.37	5.37	5.36	5.4	4.78	4.78	4.77	4.8	5.37	5.37	5.36	5.4			
		Amps	11.25	11.23	11.21	11.3	12.87	12.86	12.83	13.0	14.68	14.67	14.64	14.8	16.64	16.63	16.60	16.7	18.83	18.82	18.79	18.9	21.40	21.39	21.36	21.5	18.83	18.82	18.79	18.9	21.40	21.39	21.36	21.5			
		Hi PR	271	272	274	278.5	313	314	316	321.0	358	359	361	365.5	406	407	409	413.5	457	459	460	465.2	513	514	516	520.4	457	459	460	465.2	513	514	516	520.4			
	Lo PR	127	129	132	137.3	135	136	140	145.0	142	143	146	151.7	147	149	152	157.4	153	154	158	163.0	160	161	165	170.0	153	154	158	163.0	160	161	165	170.0				
	<b>1500</b>	MBh	46.4	47.1	48.4	50.5	46.0	46.6	48.0	50.1	44.8	45.5	46.8	48.9	42.7	43.4	44.8	46.9	40.2	40.9	42.2	44.3	37.9	38.6	40.0	42.0	40.2	40.9	42.2	44.3	37.9	38.6	40.0	42.0			
		S/T	0.81	0.73	0.59	0.4	1.00	0.74	0.60	0.5	1.00	0.76	0.62	0.5	1.00	0.78	0.64	0.5	1.00	0.80	0.67	0.6	1.00	1.00	0.72	0.6	1.00	0.80	0.67	0.6	1.00	1.00	0.72	0.6			
		ΔT	22.34	20.54	17.18	13.7	22.29	20.49	17.13	13.6	22.54	20.74	17.38	13.9	22.27	20.47	17.11	13.6	22.03	20.23	16.87	13.4	23.16	21.36	18.00	14.5	22.03	20.23	16.87	13.4	23.16	21.36	18.00	14.5			
		kW	3.05	3.04	3.04	3.1	3.42	3.42	3.41	3.4	3.84	3.83	3.83	3.9	4.29	4.28	4.28	4.3	4.79	4.79	4.78	4.8	5.38	5.38	5.37	5.4	4.79	4.79	4.78	4.8	5.38	5.38	5.37	5.4			
		Amps	11.29	11.28	11.25	11.4	12.91	12.90	12.87	13.0	14.72	14.71	14.68	14.8	16.68	16.67	16.64	16.8	18.87	18.86	18.83	19.0	21.44	21.43	21.40	21.5	18.87	18.86	18.83	19.0	21.44	21.43	21.40	21.5			
Hi PR		272	273	275	279.7	314	316	317	322.2	359	360	362	366.7	407	408	410	414.7	459	460	462	466.4	514	515	517	521.6	459	460	462	466.4	514	515	517	521.6				
Lo PR	128	130	133	138.3	136	137	141	146.0	143	144	147	152.7	148	150	153	158.4	154	155	159	164.0	161	162	166	171.0	154	155	159	164.0	161	162	166	171.0					
<b>1700</b>	MBh	47.2	47.8	49.2	51.3	46.8	47.4	48.8	50.9	45.6	46.2	47.6	49.7	43.5	44.2	45.5	47.6	41.0	41.7	43.0	45.1	38.7	39.4	40.7	42.8	41.0	41.7	43.0	45.1	38.7	39.4	40.7	42.8				
	S/T	0.84	0.76	0.63	0.5	1.00	0.77	0.63	0.5	1.00	0.80	0.66	0.5	1.00	0.82	0.68	0.5	1.00	1.00	0.70	0.6	1.00	1.00	0.75	0.6	1.00	0.82	0.68	0.5	1.00	1.00	0.75	0.6				
	ΔT	21.37	19.57	16.20	12.7	21.32	19.52	16.15	12.7	21.57	19.77	16.41	12.9	21.30	19.50	16.14	12.7	21.06	19.26	15.90	12.4	22.19	20.38	17.02	13.5	21.06	19.26	15.90	12.4	22.19	20.38	17.02	13.5				
	kW	3.06	3.06	3.05	3.1	3.44	3.43	3.43	3.5	3.85	3.85	3.84	3.9	4.30	4.30	4.29	4.3	4.81	4.80	4.80	4.8	5.40	5.40	5.39	5.4	4.81	4.80	4.80	4.8	5.40	5.40	5.39	5.4				
	Amps	11.36	11.35	11.32	11.4	12.99	12.97	12.95	13.1	14.80	14.79	14.76	14.9	16.76	16.75	16.72	16.8	18.95	18.94	18.91	19.0	21.52	21.51	21.48	21.6	18.95	18.94	18.91	19.0	21.52	21.51	21.4					

IDB	AIRFLOW	OUTDOOR AMBIENT TEMPERATURE												105												115																								
		65						75						85						95						105						115																		
		59	63	67	71	75	79	59	63	67	71	75	79	59	63	67	71	75	79	59	63	67	71	75	79	59	63	67	71	75	79	59	63	67	71	75	79													
80	MBh	46.3	47.0	48.3	50.4	45.9	46.6	47.9	50.0	44.7	45.4	46.7	48.8	42.7	43.3	44.7	46.8	40.1	40.8	42.2	44.2	37.8	38.5	39.9	41.9	46.3	47.0	48.3	50.4	45.9	46.6	47.9	50.0	44.7	45.4	46.7	48.8	42.7	43.3	44.7	46.8	40.1	40.8	42.2	44.2	37.8	38.5	39.9	41.9	
	S/T	1.00	0.83	0.69	0.5	1.00	0.83	0.70	0.6	1.00	0.86	0.72	0.6	1.00	1.00	0.74	0.6	1.00	1.00	0.76	0.6	1.00	1.00	0.82	0.7	1.00	0.83	0.69	0.5	1.00	0.83	0.70	0.6	1.00	0.86	0.72	0.6	1.00	1.00	0.74	0.6	1.00	1.00	0.76	0.6	1.00	1.00	0.82	0.7	
	ΔT	26.88	25.08	21.71	18.2	26.83	25.03	21.67	18.2	27.08	25.28	21.92	18.4	26.81	25.01	21.65	18.2	26.57	24.77	21.41	17.9	27.70	25.90	22.53	19.1	26.88	25.08	21.71	18.2	26.83	25.03	21.67	18.2	27.08	25.28	21.92	18.4	26.81	25.01	21.65	18.2	26.57	24.77	21.41	17.9	27.70	25.90	22.53	19.1	
	kW	3.04	3.03	3.03	3.1	3.41	3.41	3.40	3.4	3.83	3.82	3.82	3.8	4.28	4.28	4.27	4.3	4.78	4.78	4.77	4.8	5.37	5.37	5.36	5.4	3.04	3.03	3.03	3.1	3.41	3.41	3.40	3.4	3.83	3.82	3.82	3.8	4.28	4.28	4.27	4.3	4.78	4.78	4.77	4.8	5.37	5.37	5.36	5.4	
	Amps	11.26	11.24	11.21	11.3	12.88	12.87	12.84	13.0	14.69	14.68	14.65	14.8	16.65	16.64	16.61	16.7	18.84	18.83	18.80	18.9	21.41	21.40	21.37	21.5	11.26	11.24	11.21	11.3	12.88	12.87	12.84	13.0	14.69	14.68	14.65	14.8	16.65	16.64	16.61	16.7	18.84	18.83	18.80	18.9	21.41	21.40	21.37	21.5	
	Hi PR	271	272	274	279.0	314	315	317	321.5	358	359	361	366.0	406	407	409	414.0	458	459	461	465.7	513	514	516	520.8	271	272	274	279.0	314	315	317	321.5	358	359	361	366.0	406	407	409	414.0	458	459	461	465.7	513	514	516	520.8	
	Lo PR	128	129	132	137.8	135	137	140	145.5	142	144	147	152.3	148	149	153	157.9	153	155	158	163.5	160	162	165	170.5	128	129	132	137.8	135	137	140	145.5	142	144	147	152.3	148	149	153	157.9	153	155	158	163.5	160	162	165	170.5	
	MBh	46.6	47.3	48.7	50.8	46.2	46.9	48.3	50.3	45.0	45.7	47.1	49.1	43.0	43.6	45.0	47.1	40.5	41.1	42.5	44.6	38.2	38.8	40.2	42.3	46.6	47.3	48.7	50.8	46.2	46.9	48.3	50.3	45.0	45.7	47.1	49.1	43.0	43.6	45.0	47.1	40.5	41.1	42.5	44.6	38.2	38.8	40.2	42.3	
	S/T	1.00	0.86	0.72	0.6	1.00	0.86	0.73	0.6	1.00	0.89	0.75	0.6	1.00	1.00	0.77	0.6	1.00	1.00	0.79	0.6	1.00	1.00	0.84	0.7	1.00	0.86	0.72	0.6	1.00	0.89	0.75	0.6	1.00	1.00	0.77	0.6	1.00	1.00	0.79	0.6	1.00	1.00	0.84	0.7					
	ΔT	26.32	24.52	21.16	17.7	26.27	24.47	21.11	17.6	26.53	24.73	21.37	17.9	26.26	24.46	21.09	17.6	26.02	24.22	20.85	17.4	27.14	25.34	21.98	18.5	26.32	24.52	21.16	17.7	26.27	24.47	21.11	17.6	26.53	24.73	21.37	17.9	26.26	24.46	21.09	17.6	26.02	24.22	20.85	17.4	27.14	25.34	21.98	18.5	
kW	3.05	3.04	3.04	3.1	3.42	3.42	3.41	3.4	3.84	3.83	3.83	3.9	4.29	4.29	4.28	4.3	4.79	4.79	4.78	4.8	5.38	5.38	5.37	5.4	3.05	3.04	3.04	3.1	3.42	3.42	3.41	3.4	3.84	3.83	3.83	3.9	4.29	4.29	4.28	4.3	4.79	4.79	4.78	4.8	5.38	5.38	5.37	5.4		
Amps	11.30	11.29	11.26	11.4	12.92	12.91	12.88	13.0	14.73	14.72	14.69	14.8	16.69	16.68	16.65	16.8	18.88	18.87	18.84	19.0	21.45	21.44	21.41	21.5	11.30	11.29	11.26	11.4	12.92	12.91	12.88	13.0	14.73	14.72	14.69	14.8	16.69	16.68	16.65	16.8	18.88	18.87	18.84	19.0	21.45	21.44	21.41	21.5		
Hi PR	272	274	275	280.2	315	316	318	322.7	359	361	363	367.2	407	409	410	415.2	459	460	462	466.9	514	515	517	522.1	272	274	275	280.2	315	316	318	322.7	359	361	363	367.2	407	409	410	415.2	459	460	462	466.9	514	515	517	522.1		
Lo PR	129	130	133	138.9	136	138	141	146.5	143	145	148	153.3	149	150	154	159.0	154	156	159	164.5	161	163	166	171.5	129	130	133	138.9	136	138	141	146.5	143	145	148	153.3	149	150	154	159.0	154	156	159	164.5	161	163	166	171.5		
1700	MBh	47.4	48.1	49.4	51.5	47.0	47.7	49.0	51.1	45.8	46.5	47.8	49.9	43.8	44.4	45.8	47.9	41.2	41.9	43.3	45.4	39.0	39.6	41.0	43.1	47.4	48.1	49.4	51.5	47.0	47.7	49.0	51.1	45.8	46.5	47.8	49.9	43.8	44.4	45.8	47.9	41.2	41.9	43.3	45.4	39.0	39.6	41.0	43.1	
	S/T	1.00	0.89	0.75	0.6	1.00	0.90	0.76	0.6	1.00	1.00	0.79	0.6	1.00	1.00	0.81	0.7	1.00	1.00	0.83	0.7	1.00	1.00	0.87	0.7	1.00	0.89	0.75	0.6	1.00	0.90	0.76	0.6	1.00	1.00	0.79	0.6	1.00	1.00	0.81	0.7	1.00	1.00	0.83	0.7	1.00	1.00	0.87	0.7	
	ΔT	25.35	23.55	20.19	16.7	25.30	23.50	20.14	16.7	25.56	23.75	20.39	16.9	25.28	23.48	20.12	16.6	25.04	23.24	19.88	16.4	26.17	24.37	21.01	17.5	25.35	23.55	20.19	16.7	25.30	23.50	20.14	16.7	25.56	23.75	20.39	16.9	25.28	23.48	20.12	16.6	25.04	23.24	19.88	16.4	26.17	24.37	21.01	17.5	
	kW	3.06	3.06	3.06	3.1	3.44	3.44	3.43	3.5	3.85	3.85	3.85	3.9	4.31	4.30	4.30	4.3	4.81	4.81	4.80	4.8	5.40	5.40	5.39	5.4	3.06	3.06	3.06	3.1	3.44	3.44	3.43	3.5	3.85	3.85	3.85	3.9	4.31	4.30	4.30	4.3	4.81	4.81	4.80	4.8	5.40	5.40	5.39	5.4	
	Amps	11.37	11.36	11.33	11.5	13.00	12.98	12.96	13.1	14.81	14.79	14.77	14.9	16.77	16.75	16.73	16.9	18.96	18.94	18.92	19.0	21.53	21.51	21.49	21.6	11.37	11.36	11.33	11.5	13.00	12.98	12.96	13.1	14.81	14.79	14.77	14.9	16.77	16.75	16.73	16.9	18.96	18.94	18.92	19.0	21.53	21.51	21.49	21.6	
	Hi PR	275	276	278	282.5	317	318	320	325.1	362	363	365	369.6	410	411	413	417.5	461	463	465	469.2	517	518	520	524.4	275	276	278	282.5	317	318	320	325.1	362	363	365	369.6	410	411	413	417.5	461	463	465	469.2	517	518	520	524.4	
	Lo PR	131	132	136	141.1	139	140	143	148.7	145	147	150	155.5	151	153	156	161.2	157	158	161	166.7	164	165	168	173.7	131	132	136	141.1	139	140	143	148.7	145	147	150	155.5	151	153	156	161.2	157	158	161	166.7	164	165	168	173.7	
	1400	MBh	47.1	47.7	49.1	51.2	46.7	47.3	48.7	50.8	45.5	46.1	47.5	49.6	43.4	44.1	45.4	47.5	40.9	41.6	42.9	45.0	38.6	39.3	40.6	42.7	47.1	47.7	49.1	51.2	46.7	47.3	48.7	50.8	45.5	46.1	47.5	49.6	43.4	44.1	45.4	47.5	40.9	41.6	42.9	45.0	38.6	39.3	40.6	42.7
		S/T	1.00	0.93	0.79	0.6	1.00	1.00	0.80	0.7	1.00	1.00	0.82	0.7	1.00	1.00	0.84	0.7	1.00	1.00	0.80	0.7	1.00	1.00	0.87	0.7	1.00	0.93	0.79	0.6	1.00	1.00	0.80	0.7	1.00	1.00	0.82	0.7	1.00	1.00	0.84	0.7	1.00	1.00	0.87	0.7	1.00	1.00	0.87	0.7
		ΔT	30.41	28.61	25.25	21.8	30.36	28.56	25.20	21.7	30.62	28.82	25.45	22.0	30.34	28.54	25.18	21.7	30.10	28.30	24.94	21.5	31.23	29.43	26.07	22.6	30.41	28.61	25.25	21.8	30.36	28.56	25.20	21.7	30.62	28.82	25.45	22.0	30.34	28.54	25.18	21.7	30.10	28.30	24.94	21.5	31.23	29.43	26.07	22.6
kW		3.04	3.04	3.04	3.1	3.42	3.42	3.41	3.4	3.83	3.83	3.83	3.9	4.29	4.28	4.28	4.3	4.79	4.79	4.78	4.8	5.38	5.38	5.37	5.4	3.04	3.04	3.04	3.1	3.42	3.42	3.41	3.4	3.83	3.83	3.83	3.9	4.29	4.28	4.28	4.3	4.79	4.79	4.78	4.8	5.38	5.38	5.37	5.4	
Amps		11.29	11.27	11.25	11.4	12.91	12.90	12.87	13.0	14.72	14.71	14.68	14.8	16.68	16.67	16.64	16.8	18.87	18.86	18.83	19.0	21.44	21.43	21.40	21.5	11.29	11.27	11.25	11.4	12.91	12.90	12.87	13.0	14.72	14.71	14.68	14.8	16.68	16.67	16.64	16.8	18.87	18.86	18.83	19.0	21.44	21.43	21.40	21.5	
Hi PR		272	274	276	280.2	315	316	318	322.7	360	361	363	367.3	407	409	411	415.2	459																																

IDB		OUTDOOR AMBIENT TEMPERATURE																																									
		65							75							85							95							105							115						
		59	63	67	71	59	63	67	71	59	63	67	71	59	63	67	71	59	63	67	71	59	63	67	71	59	63	67	71	59	63	67	71										
<b>1500</b>		MBh	57.2	58.0	59.7	-	56.7	57.5	59.2	-	55.2	56.0	57.7	-	52.6	53.4	55.1	-	49.5	50.3	52.0	-	46.6	47.4	49.1	-	49.5	50.3	52.0	-	46.6	47.4	49.1	-									
		S/T	0.60	0.53	0.40	-	0.61	0.53	0.40	-	0.63	0.56	0.43	-	0.65	0.58	0.45	-	1.00	0.60	0.47	-	1.00	0.65	0.52	-	1.00	0.60	0.47	-	1.00	0.65	0.52	-									
		ΔT	20.06	18.17	14.65	-	20.01	18.12	14.60	-	20.27	18.39	14.87	-	19.99	18.10	14.58	-	19.74	17.85	14.33	-	20.92	19.03	15.51	-	19.74	17.85	14.33	-	20.92	19.03	15.51	-									
		kW	3.72	3.72	3.71	-	4.20	4.20	4.19	-	4.74	4.74	4.73	-	5.32	5.32	5.31	-	5.97	5.97	5.96	-	6.73	6.73	6.72	-	5.97	5.97	5.96	-	6.73	6.73	6.72	-									
		Amps	14.08	14.06	14.03	-	16.17	16.15	16.12	-	18.50	18.48	18.45	-	21.02	21.01	20.97	-	23.84	23.83	23.79	-	27.15	27.13	27.10	-	23.84	23.83	23.79	-	27.15	27.13	27.10	-									
		Hi PR	280	281	283	-	324	325	327	-	370	371	373	-	420	421	423	-	473	474	476	-	530	531	533	-	473	474	476	-	530	531	533	-									
		Lo PR	121	122	125	-	128	129	132	-	134	136	139	-	140	141	144	-	145	147	150	-	152	153	156	-	145	147	150	-	152	153	156	-									
<b>70</b>		MBh	57.7	58.5	60.2	-	57.2	58.0	59.7	-	55.7	56.5	58.2	-	53.2	54.0	55.7	-	50.0	50.8	52.5	-	47.2	48.0	49.7	-	50.0	50.8	52.5	-	47.2	48.0	49.7	-									
		S/T	0.64	0.57	0.44	-	0.65	0.57	0.44	-	0.67	0.60	0.47	-	0.69	0.62	0.49	-	1.00	0.64	0.51	-	1.00	0.69	0.56	-	1.00	0.64	0.51	-	1.00	0.69	0.56	-									
		ΔT	19.26	17.37	13.85	-	19.20	17.32	13.80	-	19.47	17.58	14.06	-	19.18	17.30	13.78	-	18.93	17.05	13.52	-	20.11	18.23	14.71	-	18.93	17.05	13.52	-	20.11	18.23	14.71	-									
		kW	3.74	3.74	3.73	-	4.22	4.22	4.21	-	4.76	4.75	4.75	-	5.34	5.34	5.33	-	5.99	5.98	5.98	-	6.75	6.74	6.74	-	5.99	5.98	5.98	-	6.75	6.74	6.74	-									
		Amps	14.16	14.14	14.10	-	16.24	16.23	16.19	-	18.58	18.56	18.52	-	21.10	21.08	21.05	-	23.92	23.90	23.87	-	27.23	27.21	27.17	-	23.92	23.90	23.87	-	27.23	27.21	27.17	-									
		Hi PR	281	283	285	-	325	327	329	-	372	373	375	-	421	422	424	-	475	476	478	-	532	533	535	-	475	476	478	-	532	533	535	-									
		Lo PR	122	123	126	-	129	131	134	-	136	137	140	-	141	143	146	-	146	148	151	-	153	155	158	-	146	148	151	-	153	155	158	-									
<b>1800</b>		MBh	58.4	59.2	60.9	-	57.8	58.7	60.4	-	56.4	57.2	58.9	-	53.8	54.6	56.3	-	50.7	51.5	53.2	-	47.8	48.6	50.3	-	50.7	51.5	53.2	-	47.8	48.6	50.3	-									
		S/T	0.67	0.59	0.46	-	0.67	0.60	0.47	-	0.70	0.62	0.49	-	0.72	0.64	0.51	-	1.00	0.66	0.53	-	1.00	0.71	0.58	-	1.00	0.66	0.53	-	1.00	0.71	0.58	-									
		ΔT	18.54	16.66	13.14	-	18.49	16.61	13.09	-	18.76	16.87	13.35	-	18.47	16.59	13.07	-	18.22	16.34	12.81	-	19.40	17.52	13.99	-	18.22	16.34	12.81	-	19.40	17.52	13.99	-									
		kW	3.76	3.75	3.75	-	4.24	4.23	4.23	-	4.77	4.77	4.76	-	5.35	5.35	5.34	-	6.00	6.00	5.99	-	6.76	6.76	6.75	-	6.00	6.00	5.99	-	6.76	6.76	6.75	-									
		Amps	14.22	14.21	14.17	-	16.31	16.30	16.26	-	18.64	18.63	18.59	-	21.17	21.15	21.12	-	23.99	23.97	23.93	-	27.29	27.28	27.24	-	23.99	23.97	23.93	-	27.29	27.28	27.24	-									
		Hi PR	283	284	286	-	327	328	330	-	373	374	376	-	423	424	426	-	476	478	480	-	534	535	537	-	476	478	480	-	534	535	537	-									
		Lo PR	123	125	128	-	131	132	135	-	137	139	142	-	142	144	147	-	148	149	152	-	154	156	159	-	148	149	152	-	154	156	159	-									
<b>1500</b>		MBh	57.2	58.0	59.7	62.3	56.7	57.5	59.2	61.8	55.2	56.0	57.7	60.3	52.6	53.4	55.1	57.7	49.5	50.3	52.0	54.6	46.7	47.5	49.2	51.8	49.5	50.3	52.0	54.6	46.7	47.5	49.2	51.8									
		S/T	0.73	0.65	0.52	0.4	0.73	0.66	0.53	0.4	1.00	0.68	0.55	0.4	1.00	0.70	0.57	0.4	1.00	0.72	0.59	0.5	1.00	0.77	0.64	0.5	1.00	0.72	0.59	0.5	1.00	0.77	0.64	0.5									
		ΔT	24.21	22.32	18.80	15.2	24.16	22.27	18.75	15.1	24.42	22.53	19.01	15.4	24.14	22.25	18.73	15.1	23.88	22.00	18.48	14.8	25.07	23.18	19.66	16.0	23.88	22.00	18.48	14.8	25.07	23.18	19.66	16.0									
		kW	3.72	3.72	3.71	3.7	4.20	4.20	4.19	4.2	4.74	4.73	4.73	4.8	5.32	5.31	5.31	5.3	5.97	5.96	5.95	6.0	6.73	6.72	6.72	6.8	5.97	5.96	5.95	6.0	6.73	6.72	6.72	6.8									
		Amps	14.07	14.05	14.01	14.2	16.15	16.14	16.10	16.3	18.49	18.47	18.43	18.6	21.01	20.99	20.96	21.1	23.83	23.81	23.78	23.9	27.14	27.12	27.08	27.2	23.83	23.81	23.78	23.9	27.14	27.12	27.08	27.2									
		Hi PR	280	281	283	288.0	324	325	327	332.0	370	371	373	378.1	420	421	423	427.8	473	475	477	481.4	530	532	534	538.5	473	475	477	481.4	530	532	534	538.5									
		Lo PR	121	122	125	130.3	128	129	133	137.6	134	136	139	144.0	140	141	144	149.5	145	147	150	154.8	152	153	156	161.4	145	147	150	154.8	152	153	156	161.4									
<b>1650</b>		MBh	57.8	58.6	60.3	62.9	57.2	58.0	59.8	62.4	55.8	56.6	58.3	60.9	53.2	54.0	55.7	58.3	50.1	50.9	52.6	55.2	47.2	48.0	49.7	52.3	50.1	50.9	52.6	55.2	47.2	48.0	49.7	52.3									
		S/T	0.76	0.69	0.56	0.4	0.77	0.70	0.57	0.4	1.00	0.72	0.59	0.5	1.00	0.74	0.61	0.5	1.00	0.76	0.63	0.5	1.00	0.81	0.68	0.5	1.00	0.76	0.63	0.5	1.00	0.81	0.68	0.5									
		ΔT	23.40	21.52	17.99	14.3	23.35	21.46	17.94	14.3	23.62	21.73	18.21	14.6	23.33	21.45	17.92	14.3	23.08	21.19	17.67	14.0	24.26	22.37	18.85	15.2	23.08	21.19	17.67	14.0	24.26	22.37	18.85	15.2									
		kW	3.74	3.74	3.73	3.8	4.22	4.22	4.21	4.2	4.76	4.75	4.74	4.8	5.34	5.33	5.32	5.4	5.98	5.98	5.97	6.0	6.74	6.74	6.73	6.8	5.98	5.98	5.97	6.0	6.74	6.74	6.73	6.8									
		Amps	14.14	14.13	14.09	14.3	16.23	16.21	16.18	16.3	18.56	18.55	18.51	18.7	21.09	21.07	21.03	21.2	23.91	23.89	23.85	24.0	27.21	27.20	27.16	27.3	23.91	23.89	23.85	24.0	27.21	27.20	27.16	27.3									
		Hi PR	282	283	285	289.7	326	327	329	333.7	372	373	375	379.9	421	423	425	429.5	475	476	478	483.1	532	533	535	540.2	475	476	478	483.1	532	533	535	540.2									
		Lo PR	122	123	127	131.6	129	131	134	138.9	136	137	140	145.3	141	143	146	150.8	146	148	151	156.1	153	155	158	162.7	146	148	151	156.1	153	155	158	162.7									
<b>1800</b>		MBh	58.4	59.2	60.9	63.5	57.9	58.7	60.4	63.0	56.4	57.2	58.9	61.5	53.8	54.6	56.3	58.9	50.7	51.5	53.2	55.8	47.9	48.7	50.4	53.0	50.7	51.5	53.2	55.8	47.9	48.7	50.4	53.0									
		S/T	0.79	0.72	0.59	0.4	0.80	0.72	0.59	0.5	1.00	0.75	0.62	0.5	1.00	0.77	0.64	0.5	1.00	0.79	0.66	0.5	1.00	1.00	0.71	0.6	1.00	0.79	0.66	0.5	1.00	1.00	0.71	0.6									
		ΔT	22.69	20.81	17.28	13.6	22.64	20.75	17.23	13.6	22.90	21.02	17.50	13.8	22.62	20.73	17.21	13.6	22.37	20.48	16.96	13.3	23.55	21.66	18.14	14.5	22.37	20.48	16.96	13.3	23.55	21.66	18.14	14.5									
		kW	3.75	3.75	3.74	3.8	4.23	4.23	4.22	4.3	4.77	4.77	4.76	4.8	5.35	5.35	5.34	5.4	6.00	6.00	5.99	6.0	6.76	6.76	6.75	6.8	6.00	6.00	5.99	6.0	6.76	6.76	6.75	6.8									
		Amps	14.21	14.19	14.16	14.3	16.30	16.28	16.25	16.4	18.63	18.61	18.58	18.7	21.15	21.14	21.10	21.3	23.97	23.96	23.92	24.1	27.28	27.26	27.23	27.4	23.97	23.96	23.92	24.1	27.28	27.26	27.23	27.4									
		Hi PR	283	285	287	291.4	327	329	331	335.4	373	375	377</																														

IDB		OUTDOOR AMBIENT TEMPERATURE												105												115											
		65						75						85						95						105						115					
		AIRFLOW		59	63	67	71	59	63	67	71	59	63	67	71	59	63	67	71	59	63	67	71	59	63	67	71	59	63	67	71						
<b>80</b>	<b>1500</b>	MBh	57.5	58.3	60.0	62.6	57.0	57.8	59.5	62.1	55.5	56.3	58.0	60.6	52.9	53.7	55.4	58.0	49.8	50.6	52.3	54.9	47.0	47.8	49.5	52.1											
		S/T	0.85	0.77	0.64	0.5	1.00	0.78	0.65	0.5	1.00	0.80	0.67	0.5	1.00	0.82	0.69	0.6	1.00	1.00	1.00	0.71	0.6	1.00	1.00	0.76	0.6										
		ΔT	28.38	26.50	22.98	19.3	28.33	26.45	22.92	19.3	28.60	26.71	23.19	19.5	28.31	26.43	22.90	19.3	28.06	26.17	22.65	19.0	29.24	27.35	23.83	20.2											
		kW	3.72	3.72	3.71	3.7	4.20	4.20	4.19	4.2	4.74	4.74	4.73	4.8	5.32	5.32	5.31	5.3	5.97	5.97	5.97	5.96	6.0	6.73	6.73	6.72	6.8										
		Amps	14.08	14.06	14.02	14.2	16.17	16.15	16.11	16.3	18.50	18.48	18.45	18.6	21.02	21.00	20.97	21.1	23.84	23.82	23.79	23.9	27.15	27.13	27.10	27.3											
		Hi/PR	280	282	284	288.5	324	326	328	332.5	371	372	374	378.7	420	422	423	428.3	474	475	477	481.9	531	532	534	539.0											
	Lo/PR	121	123	126	130.9	129	130	133	138.2	135	136	139	144.6	140	142	145	150.3	146	147	150	155.3	152	154	157	162.0												
	<b>1650</b>	MBh	58.1	58.9	60.6	63.2	57.5	58.3	60.0	62.6	56.1	56.9	58.6	61.2	53.5	54.3	56.0	58.6	50.4	51.2	52.9	55.5	47.5	48.3	50.0	52.6											
		S/T	1.00	0.81	0.68	0.5	1.00	0.82	0.69	0.6	1.00	0.84	0.71	0.6	1.00	0.86	0.73	0.6	1.00	1.00	1.00	0.75	0.6	1.00	1.00	0.80	0.7										
		ΔT	27.58	25.69	22.17	18.5	27.53	25.64	22.12	18.5	27.79	25.90	22.38	18.7	27.51	25.62	22.10	18.5	27.25	25.37	21.85	18.2	28.44	26.55	23.03	19.4											
		kW	3.74	3.74	3.73	3.8	4.22	4.22	4.21	4.2	4.76	4.75	4.75	4.8	5.34	5.33	5.33	5.4	5.99	5.98	5.97	6.0	6.75	6.74	6.74	6.8											
		Amps	14.15	14.14	14.10	14.3	16.24	16.23	16.19	16.4	18.57	18.56	18.52	18.7	21.10	21.08	21.05	21.2	23.92	23.90	23.86	24.0	27.22	27.21	27.17	27.3											
Hi/PR		282	283	285	290.2	326	327	329	334.2	372	374	376	380.4	422	423	425	430.0	476	477	479	483.6	533	534	536	540.7												
Lo/PR	122	124	127	132.2	130	131	134	139.5	136	138	141	145.9	142	143	146	151.3	147	148	151	156.6	154	155	158	163.3													
<b>1800</b>	MBh	58.7	59.5	61.2	63.8	58.2	59.0	60.7	63.3	56.7	57.5	59.2	61.8	54.1	54.9	56.6	59.2	51.0	51.8	53.5	56.1	48.1	49.0	50.7	53.3												
	S/T	1.00	0.84	0.71	0.6	1.00	0.84	0.71	0.6	1.00	0.87	0.74	0.6	1.00	0.89	0.76	0.6	1.00	1.00	1.00	0.78	0.6	1.00	1.00	0.83	0.7											
	ΔT	26.87	24.98	21.46	17.8	26.82	24.93	21.41	17.8	27.08	25.19	21.67	18.0	26.80	24.91	21.39	17.7	26.54	24.66	21.14	17.5	27.72	25.84	22.32	18.7												
	kW	3.76	3.75	3.74	3.8	4.24	4.23	4.23	4.3	4.77	4.77	4.76	4.8	5.35	5.35	5.34	5.4	6.00	6.00	5.99	6.0	6.76	6.76	6.75	6.8												
	Amps	14.22	14.20	14.17	14.3	16.31	16.29	16.26	16.4	18.64	18.62	18.59	18.7	21.16	21.15	21.11	21.3	23.98	23.97	23.93	24.1	27.29	27.27	27.24	27.4												
	Hi/PR	284	285	287	291.9	328	329	331	335.9	374	375	377	382.0	424	425	427	431.7	477	478	480	485.3	534	536	538	542.4												
Lo/PR	124	125	128	133.6	131	133	136	140.9	138	139	142	147.3	143	145	148	152.7	148	150	153	158.0	155	156	160	164.7													
<b>85</b>	<b>1500</b>	MBh	58.5	59.3	61.0	63.6	57.9	58.7	60.4	63.0	56.5	57.3	59.0	61.6	53.9	54.7	56.4	59.0	50.8	51.6	53.3	55.9	47.9	48.7	50.4	53.0											
		S/T	1.00	0.87	0.74	0.6	1.00	0.88	0.75	0.6	1.00	1.00	0.77	0.6	1.00	1.00	0.79	0.7	1.00	1.00	1.00	0.81	0.7	1.00	1.00	0.7											
		ΔT	32.09	30.20	26.68	23.0	32.03	30.15	26.63	23.0	32.30	30.41	26.89	23.2	32.02	30.13	26.61	23.0	31.76	29.88	26.36	22.7	32.94	31.06	27.54	23.9											
		kW	3.73	3.73	3.72	3.8	4.21	4.21	4.20	4.2	4.75	4.75	4.74	4.8	5.33	5.33	5.32	5.4	5.98	5.97	5.97	6.0	6.74	6.74	6.73	6.8											
		Amps	14.12	14.10	14.06	14.2	16.21	16.19	16.15	16.3	18.54	18.52	18.49	18.6	21.06	21.04	21.01	21.2	23.88	23.86	23.83	24.0	27.19	27.17	27.14	27.3											
		Hi/PR	282	283	285	289.8	326	327	329	333.8	372	373	375	380.0	422	423	425	429.6	475	476	478	483.2	532	534	535	540.4											
	Lo/PR	123	124	128	132.7	130	132	135	140.0	137	138	141	146.4	142	144	147	151.8	147	149	152	157.1	154	156	159	163.8												
	<b>1650</b>	MBh	59.0	59.8	61.5	64.1	58.5	59.3	61.0	63.6	57.0	57.8	59.5	62.1	54.5	55.3	57.0	59.6	51.3	52.1	53.8	56.4	48.5	49.3	51.0	53.6											
		S/T	1.00	0.91	0.78	0.6	1.00	0.92	0.78	0.6	1.00	1.00	0.81	0.7	1.00	1.00	0.83	0.7	1.00	1.00	1.00	0.85	0.7	1.00	1.00	0.8											
		ΔT	31.28	29.39	25.87	22.2	31.23	29.34	25.82	22.2	31.49	29.61	26.09	22.4	31.21	29.32	25.80	22.2	30.96	29.07	25.55	21.9	32.14	30.25	26.73	23.1											
		kW	3.75	3.75	3.74	3.8	4.23	4.23	4.22	4.3	4.77	4.76	4.76	4.8	5.35	5.34	5.34	5.4	6.00	5.99	5.98	6.0	6.76	6.75	6.74	6.8											
		Amps	14.19	14.18	14.14	14.3	16.28	16.27	16.23	16.4	18.61	18.60	18.56	18.7	21.14	21.12	21.09	21.2	23.96	23.94	23.90	24.1	27.26	27.25	27.21	27.4											
Hi/PR		283	285	287	291.5	328	329	331	335.6	374	375	377	381.7	423	425	426	431.4	477	478	480	484.9	534	535	537	542.1												
Lo/PR	124	126	129	134.0	132	133	136	141.3	138	139	143	147.7	143	145	148	153.1	149	150	153	158.4	155	157	160	165.1													
<b>1800</b>	MBh	59.6	60.5	62.2	64.8	59.1	59.9	61.6	64.2	57.6	58.5	60.2	62.8	55.1	55.9	57.6	60.2	52.0	52.8	54.5	57.1	49.1	49.9	51.6	54.2												
	S/T	1.00	0.94	0.80	0.7	1.00	0.94	0.81	0.7	1.00	1.00	0.83	0.7	1.00	1.00	0.85	0.7	1.00	1.00	1.00	0.87	0.7	1.00	1.00	0.8												
	ΔT	30.57	28.68	25.16	21.5	30.52	28.63	25.11	21.5	30.78	28.90	25.38	21.7	30.50	28.61	25.09	21.4	30.25	28.36	24.84	21.2	31.43	29.54	26.02	22.4												
	kW	3.77	3.76	3.75	3.8	4.25	4.24	4.23	4.3	4.78	4.78	4.77	4.8	5.36	5.36	5.35	5.4	6.01	6.01	6.00	6.0	6.77	6.77	6.76	6.8												
	Amps	14.26	14.24	14.21	14.4	16.35	16.33	16.30	16.5	18.68	18.66	18.63	18.8	21.20	21.19	21.15	21.3	24.02	24.01	23.97	24.1	27.33	27.31	27.28	27.4												
	Hi/PR	285	286	288	293.2	329	330	332	337.2	375	377	378	383.4	425	426	428	433.0	479	480	482	486.6	536	537	539	543.7												
Lo/PR	126	127	130	135.4	133	134	138	142.7	139	141	144	149.1	145	146	149	154.5	150	152	155	159.8	157	158	161	166.5													

IDB = Entering Indoor Dry Bulb Temperature  
 High and low pressures are measured at the liquid and suction access fittings.  
 Design Subcooling, 10-13 °F @ the liquid access fitting connection AHRI 95 test conditions. Design Superheat 10-14 °F @ the compressor suction access fitting connection.  
 Shaded area reflects AHRI conditions.  
 Amps: Unit amps (comp.+ evaporator + condenser fan motors)  
 kW = Total system power

EXPANDED HEATING DATA

DP3HH2431

100 % CAPACITY

	OUTDOOR AMBIENT TEMPERATURE																
	65	60	55	50	47	45	40	35	30	25	20	17	15	10	5	0	-5
MBh	30.14	28.42	26.74	25.08	24.00	23.21	21.35	19.44	17.99	16.89	16.12	15.70	15.15	13.76	12.38	11.00	9.61
T/R	33.54	31.94	30.34	28.74	27.78	26.94	24.71	22.58	20.82	19.55	18.66	18.17	17.53	15.93	14.33	12.73	11.13
KW	1.94	1.93	1.92	1.92	1.91	1.91	1.90	1.90	1.89	1.88	1.87	1.87	1.87	1.86	1.85	1.85	1.84
AMPS	7.1	7.1	7.1	7.1	7.0	7.0	7.0	7.0	6.9	6.9	6.9	6.9	6.9	6.8	6.8	6.8	6.7
COP	4.56	4.32	4.08	3.84	3.68	3.56	3.29	3.01	2.79	2.63	2.52	2.46	2.38	2.17	1.96	1.74	1.53
Hi PR	396	383	370	357	349	344	331	318	306	293	280	272	267	254	241	228	215
LO PR	131	123	115	107	102	99	90	82	74	66	58	53	50	41	33	25	17

DP3HH3031

100 % CAPACITY

	OUTDOOR AMBIENT TEMPERATURE																
	65	60	55	50	47	45	40	35	30	25	20	17	15	10	5	0	-5
MBh	34.96	32.79	30.65	28.55	27.20	26.22	23.73	21.39	19.48	18.08	17.05	16.50	15.79	14.00	12.22	10.44	8.65
T/R	29.65	28.08	26.50	24.93	23.99	23.13	20.92	18.87	17.18	15.94	15.04	14.55	13.92	12.35	10.78	9.20	7.63
KW	2.21	2.18	2.15	2.12	2.10	2.08	2.05	2.02	1.99	1.96	1.92	1.90	1.89	1.86	1.83	1.79	1.76
AMPS	8.0	7.8	7.7	7.5	7.5	7.4	7.3	7.1	7.0	6.8	6.7	6.6	6.6	6.4	6.3	6.1	6.0
COP	4.63	4.40	4.18	3.95	3.80	3.69	3.39	3.10	2.87	2.71	2.60	2.54	2.45	2.21	1.96	1.71	1.44
Hi PR	377	365	352	340	333	328	316	303	291	279	267	259	254	242	230	218	205
LO PR	132	124	116	107	102	99	91	83	74	66	58	53	50	42	33	25	17

DP3HH3631

100 % CAPACITY

	OUTDOOR AMBIENT TEMPERATURE																
	65	60	55	50	47	45	40	35	30	25	20	17	15	10	5	0	-5
MBh	42.64	40.17	37.74	35.35	33.80	32.67	29.95	27.26	25.12	23.54	22.41	21.80	21.00	19.00	17.00	15.00	13.00
T/R	30.99	29.48	27.97	26.46	25.55	24.75	22.64	20.63	18.99	17.79	16.94	16.48	15.87	14.36	12.85	11.34	9.83
KW	2.91	2.87	2.84	2.80	2.78	2.77	2.73	2.70	2.67	2.63	2.60	2.58	2.56	2.53	2.49	2.46	2.42
AMPS	10.7	10.5	10.4	10.2	10.2	10.1	9.9	9.8	9.6	9.5	9.3	9.3	9.2	9.0	8.9	8.7	8.6
COP	4.30	4.10	3.90	3.70	3.56	3.46	3.21	2.96	2.76	2.62	2.53	2.48	2.40	2.20	2.00	1.79	1.57
Hi PR	363	352	340	328	321	316	304	292	281	269	257	250	245	233	222	210	198
LO PR	129	121	113	105	100	97	89	81	73	65	57	52	49	41	33	25	17

DP3HH4231

100 % CAPACITY

	OUTDOOR AMBIENT TEMPERATURE																
	65	60	55	50	47	45	40	35	30	25	20	17	15	10	5	0	-5
MBh	45.26	42.39	39.56	36.78	35.00	33.70	30.37	27.29	24.77	22.91	21.54	20.80	19.85	17.49	15.12	12.75	10.39
T/R	32.24	30.49	28.73	26.98	25.93	24.96	22.50	20.21	18.35	16.97	15.95	15.41	14.71	12.95	11.20	9.45	7.69
KW	2.87	2.85	2.82	2.80	2.79	2.78	2.76	2.73	2.71	2.69	2.66	2.65	2.64	2.62	2.60	2.57	2.55
AMPS	10.5	10.4	10.3	10.2	10.1	10.1	10.0	9.9	9.8	9.7	9.6	9.5	9.5	9.4	9.3	9.2	9.1
COP	4.62	4.36	4.11	3.85	3.68	3.55	3.23	2.93	2.68	2.50	2.37	2.30	2.20	1.96	1.71	1.45	1.19
Hi PR	369	357	345	333	326	321	309	297	285	273	261	254	249	237	225	213	201
LO PR	135	127	118	110	105	101	93	85	76	68	59	54	51	43	34	26	17

Calculations are based on nominal CFM and 70 °F indoor dry bulb.

Amps = Outdoor unit amps (comp.+fan)

Note: Shaded area is AHRI Rating Conditions at 47°F outdoor ambient temperature

kW = Total system power

**DP3HH4831**

**100 % CAPACITY**

	OUTDOOR AMBIENT TEMPERATURE																
	65	60	55	50	47	45	40	35	30	25	20	17	15	10	5	0	-5
MBh	55.12	51.59	48.11	44.69	42.50	40.89	36.79	33.00	29.90	27.60	25.91	25.00	23.83	20.92	18.00	15.08	12.17
T/R	30.87	29.17	27.47	25.77	24.75	23.81	21.42	19.21	17.41	16.07	15.09	14.56	13.88	12.18	10.48	8.78	7.08
KW	3.57	3.50	3.44	3.37	3.33	3.30	3.24	3.17	3.10	3.04	2.97	2.93	2.90	2.84	2.77	2.70	2.64
AMPS	13.0	12.7	12.4	12.1	12.0	11.8	11.6	11.3	11.0	10.7	10.4	10.2	10.1	9.8	9.5	9.2	8.9
COP	4.52	4.32	4.10	3.89	3.74	3.63	3.33	3.05	2.82	2.66	2.56	2.50	2.41	2.16	1.90	1.63	1.35
Hi PR	383	371	358	346	338	333	321	308	296	283	271	264	259	246	234	221	209
LO PR	135	127	119	110	105	102	93	85	76	68	60	55	51	43	34	26	17

**DP3HH6031**

**100 % CAPACITY**

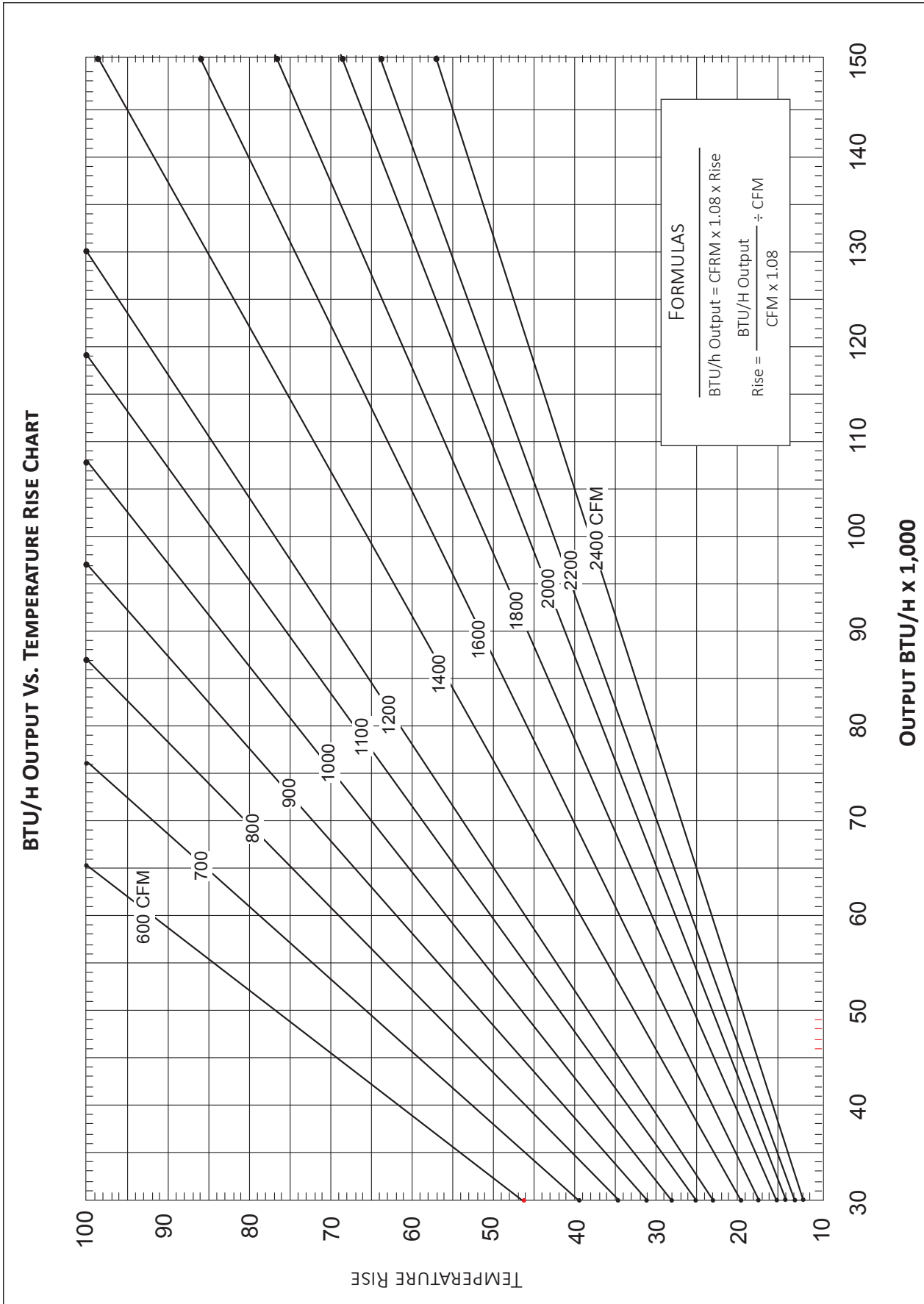
	OUTDOOR AMBIENT TEMPERATURE																
	65	60	55	50	47	45	40	35	30	25	20	17	15	10	5	0	-5
MBh	71.26	66.42	61.66	56.98	54.00	51.72	46.03	40.84	36.61	33.45	31.07	29.80	28.19	24.15	20.12	16.09	12.05
T/R	38.45	36.19	33.93	31.66	30.30	29.03	25.83	22.92	20.55	18.77	17.44	16.72	15.82	13.55	11.29	9.03	6.76
KW	4.61	4.51	4.41	4.31	4.25	4.22	4.12	4.02	3.92	3.83	3.73	3.67	3.63	3.53	3.44	3.34	3.24
AMPS	17.4	17.0	16.6	16.1	15.9	15.7	15.3	14.9	14.4	14.0	13.6	13.3	13.2	12.7	12.3	11.9	11.5
COP	4.54	4.32	4.10	3.87	3.72	3.60	3.28	2.98	2.74	2.56	2.44	2.38	2.28	2.00	1.72	1.41	1.09
Hi PR	407	394	380	367	359	354	341	327	314	301	288	280	275	261	248	235	222
LO PR	129	121	113	105	100	97	89	81	73	65	57	52	49	41	33	25	17

Calculations are based on nominal CFM and 70 °F indoor dry bulb.

Amps = Outdoor unit amps (comp.+fan)

Note: Shaded area is AHRI Rating Conditions at 47°F outdoor ambient temperature

kW = Total system power



MODEL	SPEED*	VOLTS	TYPE	E.S.P. (IN. OF H <sub>2</sub> O)							
				0.1	0.2	0.3	0.4	0.5	0.6	0.7	0.8
DP3HH2431	T1	230	CFM	922	873	823	774	724	675	626	576
			Watts	74	85	96	107	118	129	140	151
	T2,T3	230	CFM	1,030	985	940	895	841	787	723	641
			Watts	104	115	124	134	144	155	164	169
	T4, T5	230	CFM	1,231	1,179	1,127	1,074	1,022	969	917	865
			Watts	168	180	193	205	218	230	243	255
DP3HH3031	T1	230	CFM	864	808	757	695	636	567	494	437
			Watts	72	82	91	103	107	115	123	131
	T2,T3	230	CFM	1,324	1,272	1,216	1,169	1,117	1,056	1,002	945
			Watts	187	199	209	219	229	239	248	256
	T4, T5	230	CFM	1,404	1,362	1,321	1,271	1,238	1,191	1,150	1,105
			Watts	235	246	257	272	284	289	300	309
DP3HH3631	T1	230	CFM	1,161	1,113	1,076	1,034	994	949	889	837
			Watts	139	150	163	172	184	194	207	218
	T2,T3	230	CFM	1,488	1,418	1,358	1,328	1,288	1,248	1,202	1,153
			Watts	245	256	267	279	289	300	306	317
	T4, T5	230	CFM	1,542	1,502	1,462	1,427	1,392	1,352	1,316	1,280
			Watts	291	301	314	327	339	349	359	371
DP3HH4231	T1	230	CFM	1,271	1,214	1,167	1,127	1,095	1,052	1,013	971
			Watts	168	177	188	200	214	224	235	249
	T2,T3	230	CFM	1,492	1,439	1,390	1,340	1,303	1,242	1,193	1,139
			Watts	255	265	275	285	296	304	315	324
	T4, T5	230	CFM	1,736	1,679	1,638	1,598	1,558	1,520	1,484	1,441
			Watts	356	372	382	395	408	422	433	442
DP3HH4831	T1	230	CFM	1,337	1,297	1,218	1,155	1,118	1,088	1,022	989
			Watts	179	190	203	210	225	243	249	268
	T2/T3	230	CFM	1,754	1,705	1,655	1,612	1,565	1,523	1,481	1,435
			Watts	375	387	399	414	427	439	450	459
	T4/T5	230	CFM	2,002	1,935	1,885	1,827	1,767	1,732	1,669	1,618
			Watts	498	521	516	534	551	567	571	574
DP3HH6031	T1	230	CFM	1,418	1,357	1,315	1,274	1,239	1,193	1,148	1,102
			Watts	212	219	227	236	243	252	266	275
	T2,T3	230	CFM	1,965	1,907	1,846	1,790	1,737	1,681	1,628	1,577
			Watts	427	436	445	452	462	471	482	494
	T4, T5	230	CFM	1,933	1,886	1,838	1,796	1,759	1,723	1,693	1,669
			Watts	491	499	506	519	527	534	539	550

\* Speed set at T2 at factory.

HEAT KIT ELECTRICAL DATA (BLOWER ONLY, HEAT MODE)

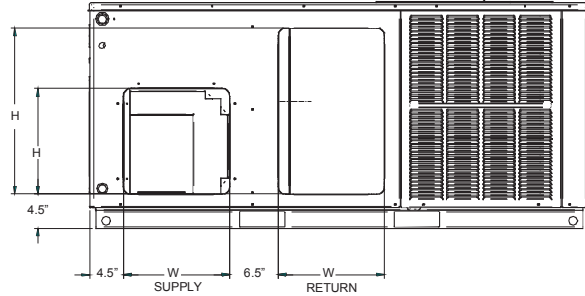
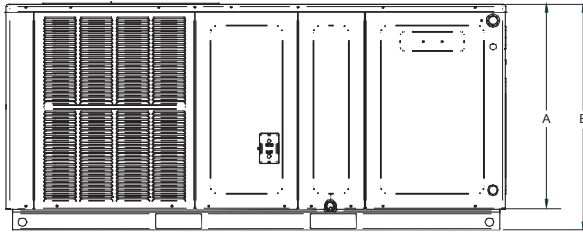
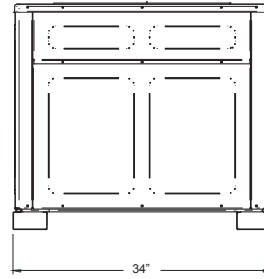
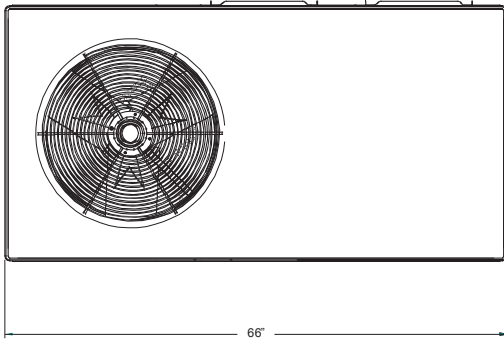
MODEL AND HEAT KIT USAGE	CIRCUIT #1		CIRCUIT #2		SINGLE-POINT KIT		ACTUAL kW
	MCA <sup>1</sup>	MOP <sup>2</sup>	MCA <sup>1</sup>	MOP <sup>2</sup>	MCA <sup>1</sup>	MOP <sup>2</sup>	
<b>DP3HH2431</b>							
HKTPD051	24.7	25	-	-	45.45	50	4.75
HKTPD081	36.5	40	-	-	57.25	60	7
HKTPD101	49.5	50	-	-	70.25	80	9.5
<b>DP3HH3031</b>							
HKTPD051	24.7	25	-	-	45.45	50	4.75
HKTPD081	36.5	40	-	-	57.25	60	7
HKTPD101	49.5	50	-	-	70.25	80	9.5
<b>DP3HH3631</b>							
HKTPD051	24.7	25	-	-	47.9	50	4.75
HKTPD081	36.5	40	-	-	59.7	60	7
HKTPD101	49.5	50	-	-	72.7	80	9.5
HKTPD151	49.5	50	24.7	25	97.4	100	14.25
<b>DP3HH4231</b>							
HKTPD051	24.7	25	-	-	47.9	50	4.75
HKTPD081	36.5	40	-	-	59.7	60	7
HKTPD101	49.5	50	-	-	72.7	80	9.5
HKTPD151	49.5	50	24.7	25	97.4	100	14.25
HKTPD201	49.5	50	49.5	50	122.2	125	19
<b>DP3HH4831</b>							
HKTPD051	24.7	25	-	-	55.74	70	4.75
HKTPD081	36.5	40	-	-	67.54	70	7
HKTPD101	49.5	50	-	-	80.54	90	9.5
HKTPD151	49.5	50	24.7	25	105.24	110	14.25
HKTPD201	49.5	50	49.5	50	130.04	150	19
<b>DP3HH6031</b>							
HKTPD051	24.7	25	-	-	61.34	80	4.75
HKTPD081	36.5	40	-	-	73.14	80	7
HKTPD101	49.5	50	-	-	86.14	100	9.5
HKTPD151	49.5	50	24.7	25	110.84	125	14.25
HKTPD201	49.5	50	49.5	50	135.64	150	19

<sup>1</sup> Minimum Circuit Ampacity

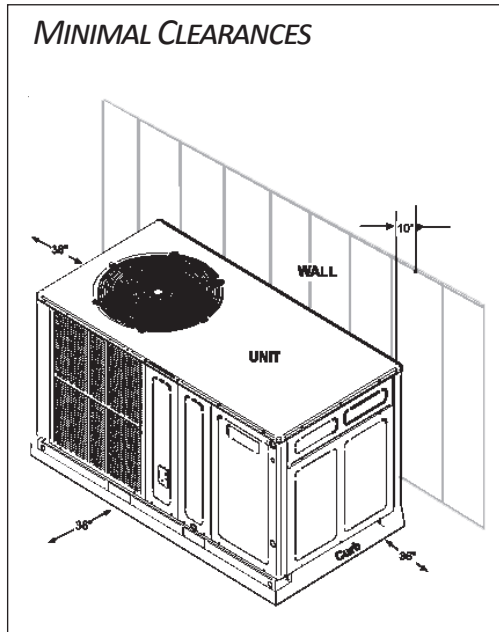
<sup>2</sup> Maximum Overcurrent Protection Device

Heating kW Correction Factor					
Supply Voltage	240	230	220	210	208
Correction Factor	1.0	0.93	0.85	0.78	0.76

Multiply rated kW by correction factor to get actual kW



BACK VIEW  
(DUCT OPENINGS)



MODEL	DIMENSIONS				CHASSIS SIZE
	W"	D"	A"	B"	
DP3HH2431	66	34	27½	30	Small
DP3HH3031	66	34	27½	30	Small
DP3HH3631	66	34	32½	35	Medium
DP3HH4231	66	34	32½	35	Medium
DP3HH4831	66	34	32½	35	Medium
DP3HH6031	66	34	36	38½	Large

Model	DUCT OPENINGS			
	SUPPLY		RETURN	
	W	H	W	H
DP3HH2431	14	14	14	22
DP3HH3031	14	14	14	22
DP3HH3631	14	14	14	24
DP3HH4231	14	14	14	24
DP3HH4831	14	14	14	24
DP3HH6031	14	14	14	24



ACCESSORY DESCRIPTION	ITEM NUMBER	
	SMALL CHASSIS	MEDIUM/LARGE CHASSIS
Downflow Economizer (use w/PCCP roof curb)	DDNECNJPCHHA	DDNECNJPCHHA
Downflow Plenum Kit (use w/PCCP roof curb)	PCP101-103	PCP101-103
Downflow Plenum Kit (R-8) (use w/PCCP roof curb)	PCP101-103 R8	PCP101-103 R8
Elbow Flashing w/R-8 Liner	PCEF101-103	PCEF101-103
Economizer Wiring Harness	0259G00213	0259G00213
External Horizontal Filter Rack	DPHFRA	DPHFRA
Horizontal Economizer	DHZECNJPCHM	DHZECNJPCHM
Inline Fuse Kit	INFKPKG01	INFKPKG01
Isolation Relay Kit (req'd with Economizer)	IRKT-01	IRKT-01
Manual Damper	PCMD101-103	PCMD101-103
Manual Damper - Horizontal	GPHMD101-103	GPHMD101-103
Motorized Damper	PCMDM101-103	PCMDM101-103
Outdoor Thermostat Kit w/ Lockout Stat	OT18-60A	OT18-60A
Roof Curb	PCCP101-103	PCCP101-103
Square to Round Downflow (use w/PCCP roof curb)	SQRPC101	SQRPC102-103
Square to Round Horizontal	SQRPCH101	SQRPCH102-103

