



Submittal Data Sheet

0.5-Ton Slim Duct Built-in Concealed Ceiling Unit

FXDQ07MVJU

FEATURES

- The slim height, at only 7-7/8", makes it suitable for most of the applications where attic / bulkhead space is limited
- With a sound level as low as 29 dBA, these systems are among the quietest on the market
- Washable filter included
- Integral condensate pump with up to 23-5/8" lift
- Blends unobtrusively with any interior decor, only the suction and discharge grills are visible
- Standard Limited Warranty: 10-year warranty on compressor and all parts



VRV





Submittal Data Sheet

0.5-Ton Slim Duct Built-in Concealed Ceiling Unit

FXDQ07MVJU

PERFORMANCE

Indoor Unit Model No.	FXDQ07MVJU	Indoor Unit Name:	0.5-Ton Slim Duct Built-in Concealed Ceiling Unit
Type:	Ducted	Rated Cooling Conditions:	Indoor (°F DB/WB): 80 / 67 Ambient (°F DB/WB): 95 / 75
Rated Cooling Capacity (Btu/hr):	7,500	Rated Heating Conditions:	Indoor (°F DB/WB): 70 / 60 Ambient (°F DB/WB): 47 / 43
Sensible Capacity (Btu/hr):	6,300	Rated Piping Length(ft):	
Cooling Input Power (kW):	0.090	Rated Height Separation (ft):	
Rated Heating Capacity (Btu/hr):	8,500		
Heating Input Power (kW):	0.07		

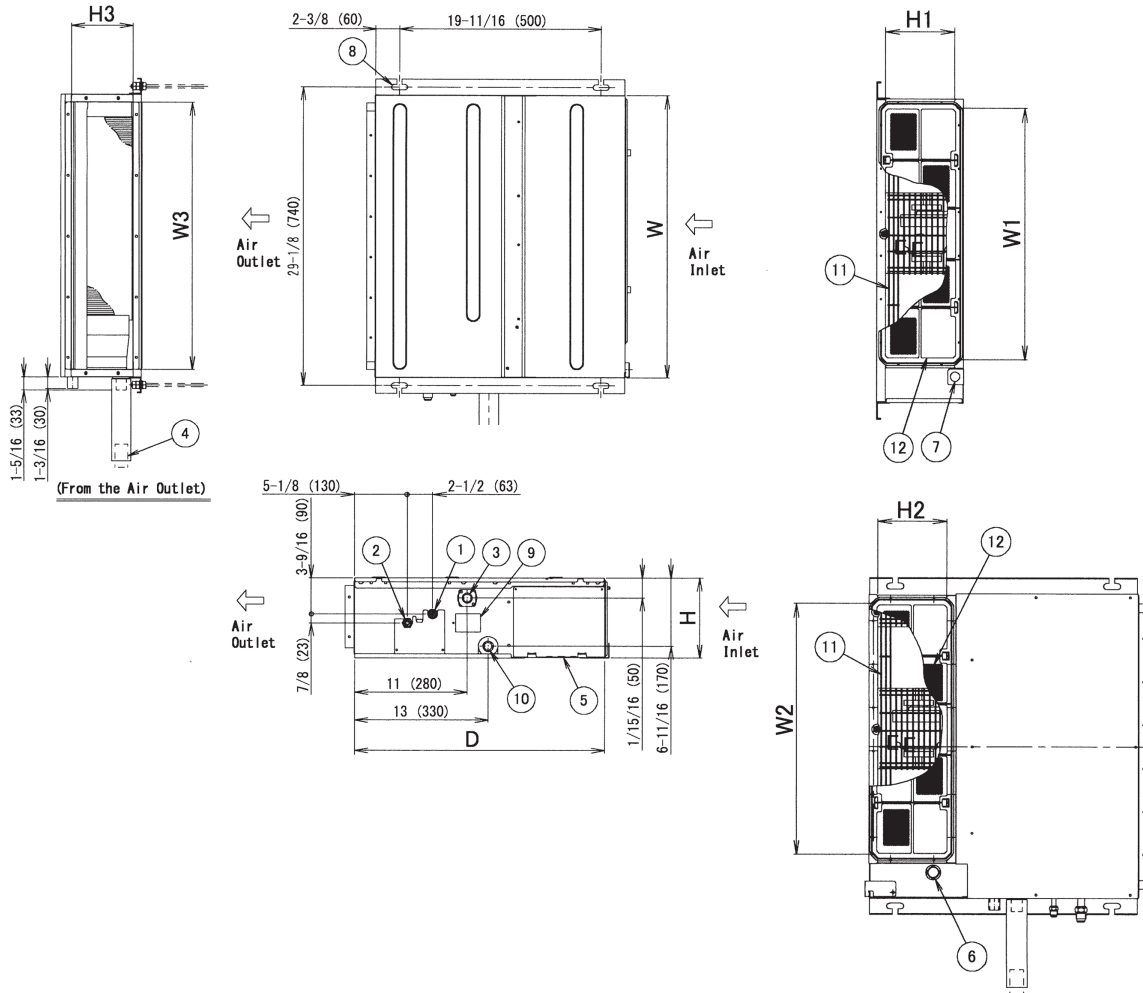
INDOOR UNIT DETAILS

Power Supply (V/Hz/Ph):	208-230 / 60 / 1	Airflow Rate (H/L) (CFM):	280/226
Power Supply Connections:	L1, L2, Ground	Moisture Removal (Gal/hr):	
Min. Circuit Amps MCA (A):	0.9	Gas Pipe Connection (inch):	1/2
Max Overcurrent Protection (MOP) (A):	15	Liquid Pipe Connection (inch):	1/4
Dimensions (HxWxD) (in):	7-7/8 x 27-9/16 x 24-7/16	Condensate Connection (inch):	1-1/32
Net Weight (lb):	51	Sound Pressure (H/L) (dBA):	33/29
Ext. Static Pressure (Rated/Max) (inWg):	0.12" / 0.12"	Sound Power Level (dBA):	

Submittal Data Sheet

0.5-Ton Slim Duct Built-in Concealed Ceiling Unit
FXDQ07MVJU

DIMENSIONAL DRAWING



1 2	AIR FILTER (ACCESSORY)	
1 1	PROTECTION NET	
1 0	SOCKET FOR DRAIN	
9	INSPECTION DOOR	
8	SUSPENSION BRACKET	
7	POWER SUPPLY CONNECTION	
6	TRANSMISSION WIRING CONNECTION	
5	CONTROL BOX	
4	DRAIN HOSE (ACCESSORY)	I. D. ϕ 31/32 (OUTLET)
3	DRAIN PIPE CONNECTION	VP20 (O. D. ϕ 1-1/32 / I. D. ϕ 25/32)
2	GAS PIPE CONNECTION	ϕ 1/2 (FLARE CONNECTION)
1	LIQUID PIPE CONNECTION	ϕ 1/4 (FLARE CONNECTION)
ITEM	PART NAME	REMARK

H		7-7/8 (200)
W		27-9/16 (700)
D		24-7/16 (620)
Air Inlet (Side)	H1	6-5/16 (160)
	W1	22-13/16 (580)
Air Inlet (Bottom)	H2	6-5/16 (160)
	W2	22-13/16 (580)
Air Outlet	H3	6 (153)
	W3	26 (660)

Note: For additional dimensional data and clearance information, refer to Engineering Data

Daikin North America LLC, 5151 San Felipe, Suite 500, Houston, TX, 77056

Daikin City Generated Submittal Data

www.daikinac.com www.daikincomfort.com

(Daikin's products are subject to continuous improvements. Daikin reserves the right to modify product design, specifications and information in this data sheet without notice and without incurring any obligations)

Submittal Date: 9/12/2018 8:53:52 AM

Page 3 of 3