



## Submittal Data Sheet

1.0-Ton Slim Duct Built-in Concealed Ceiling Unit

FXDQ12MVJU

### FEATURES

- The slim height, at only 7-7/8", makes it suitable for most of the applications where attic / bulkhead space is limited
- With a sound level as low as 29 dBA, these systems are among the quietest on the market
- Washable filter included
- Integral condensate pump with up to 23-5/8" lift
- Blends unobtrusively with any interior decor, only the suction and discharge grills are visible
- Standard Limited Warranty: 10-year warranty on compressor and all parts



VRV





## Submittal Data Sheet

1.0-Ton Slim Duct Built-in Concealed Ceiling Unit

FXDQ12MVJU

### PERFORMANCE

Indoor Unit Model No.	FXDQ12MVJU	Indoor Unit Name:	1.0-Ton Slim Duct Built-in Concealed Ceiling Unit
Type:	Ducted	Rated Cooling Conditions:	Indoor (°F DB/WB): 80 / 67 Ambient (°F DB/WB): 95 / 75
Rated Cooling Capacity (Btu/hr):	12,000	Rated Heating Conditions:	Indoor (°F DB/WB): 70 / 60 Ambient (°F DB/WB): 47 / 43
Sensible Capacity (Btu/hr):	8,800	Rated Piping Length(ft):	
Cooling Input Power (kW):	0.100	Rated Height Separation (ft):	
Rated Heating Capacity (Btu/hr):	13,500		
Heating Input Power (kW):	0.08		

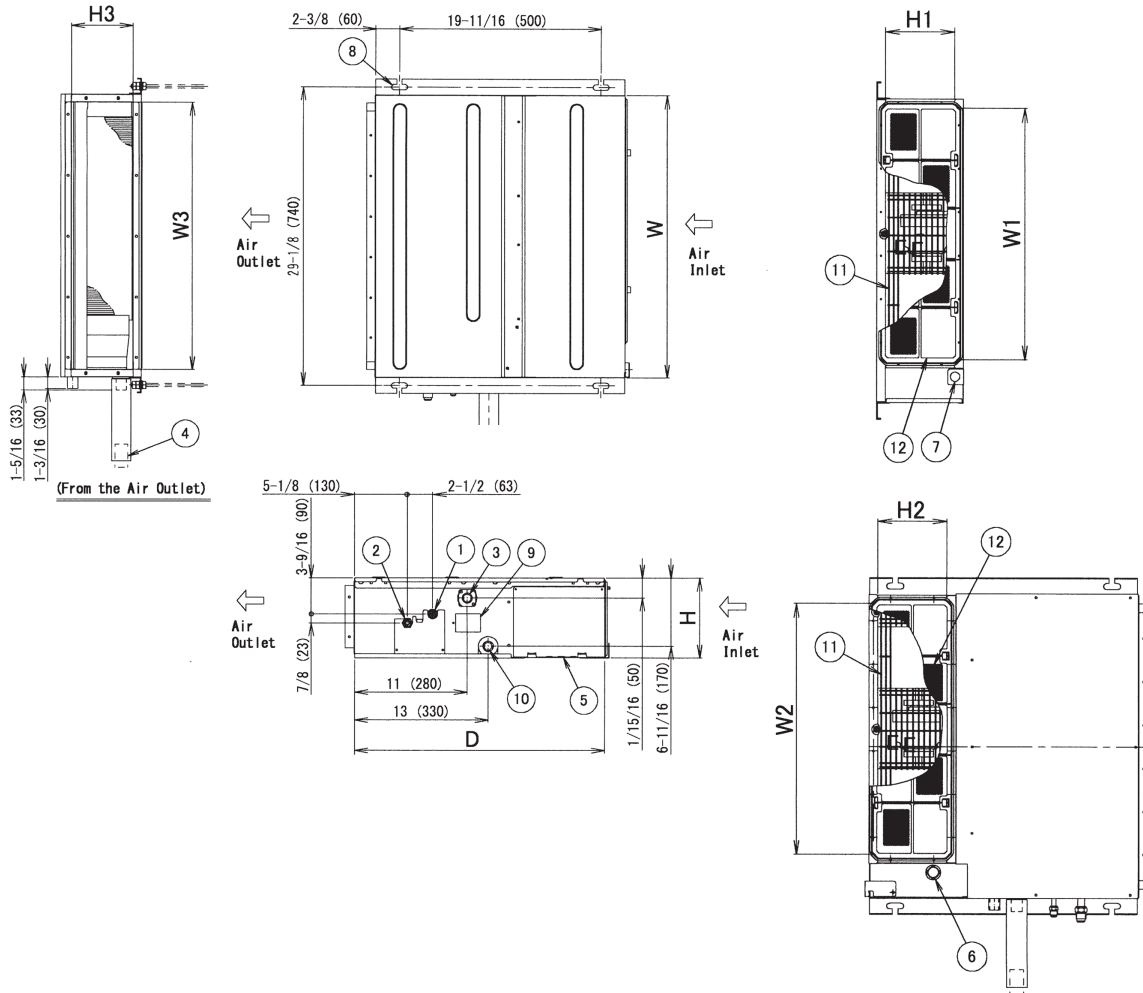
### INDOOR UNIT DETAILS

Power Supply (V/Hz/Ph):	208-230 / 60 / 1	Airflow Rate (H/L) (CFM):	280/226
Power Supply Connections:	L1, L2, Ground	Moisture Removal (Gal/hr):	
Min. Circuit Amps MCA (A):	0.9	Gas Pipe Connection (inch):	1/2
Max Overcurrent Protection (MOP) (A):	15	Liquid Pipe Connection (inch):	1/4
Dimensions (HxWxD) (in):	7-7/8 x 27-9/16 x 24-7/16	Condensate Connection (inch):	1-1/32
Net Weight (lb):	51	Sound Pressure (H/L) (dBA):	33/29
Ext. Static Pressure (Rated/Max) (inWg):	0.12" / 0.12"	Sound Power Level (dBA):	

### Submittal Data Sheet

1.0-Ton Slim Duct Built-in Concealed Ceiling Unit  
FXDQ12MVJU

## DIMENSIONAL DRAWING



1 2	AIR FILTER (ACCESSORY)	
1 1	PROTECTION NET	
1 0	SOCKET FOR DRAIN	
9	INSPECTION DOOR	
8	SUSPENSION BRACKET	
7	POWER SUPPLY CONNECTION	
6	TRANSMISSION WIRING CONNECTION	
5	CONTROL BOX	
4	DRAIN HOSE (ACCESSORY)	I. D. $\phi$ 31/32 (OUTLET)
3	DRAIN PIPE CONNECTION	VP20 (O. D. $\phi$ 1-1/32 / I. D. $\phi$ 25/32)
2	GAS PIPE CONNECTION	$\phi$ 1/2 (FLARE CONNECTION)
1	LIQUID PIPE CONNECTION	$\phi$ 1/4 (FLARE CONNECTION)
ITEM	PART NAME	REMARK

H		7-7/8 (200)
W		27-9/16 (700)
D		24-7/16 (620)
Air Inlet (Side)	H1	6-5/16 (160)
	W1	22-13/16 (580)
Air Inlet (Bottom)	H2	6-5/16 (160)
	W2	22-13/16 (580)
Air Outlet	H3	6 (153)
	W3	26 (660)

Note: For additional dimensional data and clearance information, refer to Engineering Data

Daikin North America LLC, 5151 San Felipe, Suite 500, Houston, TX, 77056

Daikin City Generated Submittal Data

[www.daikinac.com](http://www.daikinac.com) [www.daikincomfort.com](http://www.daikincomfort.com)

(Daikin's products are subject to continuous improvements. Daikin reserves the right to modify product design, specifications and information in this data sheet without notice and without incurring any obligations)

Submittal Date: 9/12/2018 8:53:58 AM

Page 3 of 3