



Submittal Data Sheet

0.5-Ton MSP Concealed Ducted Unit

FXSQ05TBVJU

FEATURES

- Eleven capacity options from 5,800 Btu/h to 54,000 Btu/h External static pressure up to 0.6 in. w.g. (150 Pa).
- Low profile height of 9-5/8" (245 mm) for all models.
- 5-speed DC fan motor with selectable Auto fan speed.
- Ease of installation with auto adjusting airflow at commissioning based on external static pressure.
- Independently configurable auxiliary heat on/off temperature settings.
- Factory rear-return, field convertible to bottom-return.
- Integral condensate pump with up 25-5/16" (643 mm) of lift from the drain outlet.
- Drain pan inspection port.
- Standard Limited Warranty: 10-year limited parts warranty.

BENEFITS

- Requires as little as 11-1/4" (285 mm) of clearance above the ceiling thanks to the low profile design.
- Auto fan speed control optimizes fan energy use by automatically adjusting the unit's fan speed as the room temperature approaches the set point.
- The drain pan inspection port simplifies maintenance by allowing for simple and easy inspection of the drain pan conditions.
- Designed for quiet operation, with sound levels as low as 28 dB(A).





Submittal Data Sheet

0.5-Ton MSP Concealed Ducted Unit

FXSQ05TBVJU

PERFORMANCE

| | | | |
|----------------------------------|------------------|-------------------------------|---|
| Indoor Unit Model No. | FXSQ05TBVJU | Indoor Unit Name: | 0.5-Ton MSP Concealed Ducted Unit |
| Type: | Concealed Ducted | Rated Cooling Conditions: | Indoor (°F DB/WB): 80 / 67 Ambient (°F DB/WB): 95 / 75 |
| Rated Cooling Capacity (Btu/hr): | 5,800 | Rated Heating Conditions: | Indoor (°F DB/WB): 70 / 60 Ambient (°F DB/WB): 47 / 43 |
| Sensible Capacity (Btu/hr): | 4,700 | Rated Piping Length(ft): | |
| Cooling Input Power (kW): | 0.104 | Rated Height Separation (ft): | |
| Rated Heating Capacity (Btu/hr): | 6,500 | | |

INDOOR UNIT DETAILS

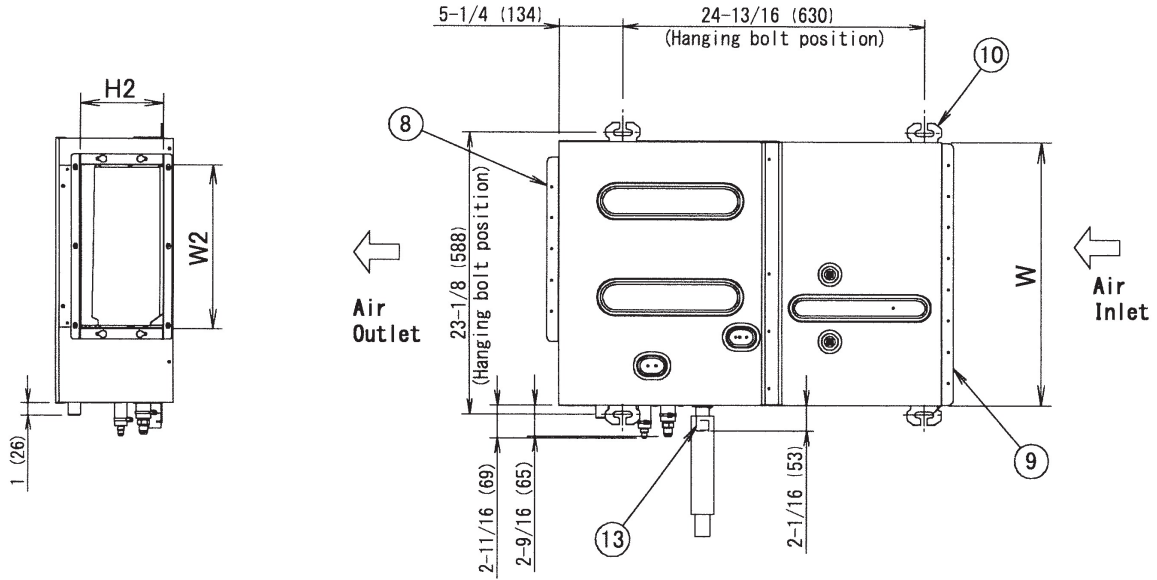
| | | | |
|--|-----------------------------|--------------------------------|----------|
| Power Supply (V/Hz/Ph): | 208/230 / 60 / 1 | Airflow Rate (H) (CFM): | 281 |
| Power Supply Connections: | L1, L2, G | Moisture Removal (Gal/hr): | |
| Min. Circuit Amps MCA (A): | 0.8 | Gas Pipe Connection (inch): | 1/2 |
| Max Overcurrent Protection (MOP) (A): | 15 | Liquid Pipe Connection (inch): | 1/4 |
| Dimensions (HxWxD) (in): | 9-11/16 x 21-11/16 x 31-1/2 | Condensate Connection (inch): | 1-1/4 |
| Net Weight (lb): | 55 | Sound Pressure (H/L) (dBA): | 33/30/28 |
| Ext. Static Pressure (Rated/Max) (inWg): | 0.2 / 0.6 | Sound Power Level (dBA): | 61 |

Submittal Data Sheet

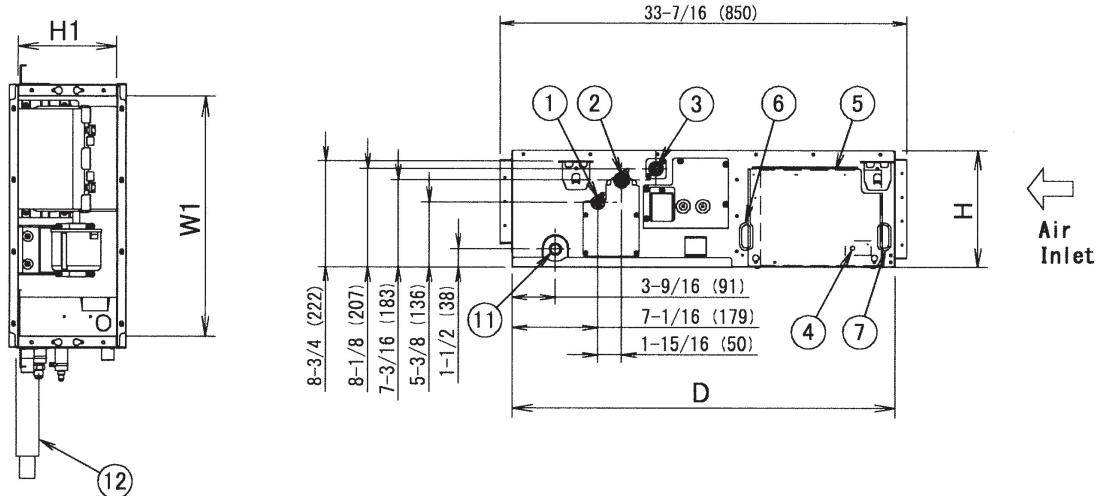
0.5-Ton MSP Concealed Ducted Unit

FXSQ05TBVJU

DIMENSIONAL DRAWING



(From the Air Outlet)



| | | |
|------|--|---|
| 13 | Drain socket | |
| 12 | Drain hose (Accessory) | |
| 11 | Socket (for maintenance) | O. D. ϕ 1" (ϕ 26) |
| 10 | Hanger | For M10 or equivalent |
| 9 | Air Inlet flange | |
| 8 | Air Outlet flange | |
| 7 | Power supply wiring connection | |
| 6 | Transmission and remote controller wiring connection | |
| 5 | Control box (inside) | |
| 4 | Ground terminal (Control box) | M4 |
| 3 | Drain pipe connection | O. D. ϕ 1-1/4" (ϕ 32) |
| 2 | Gas pipe connection | ϕ 1/2" (ϕ 12.7) Flare connection |
| 1 | Liquid pipe connection | ϕ 1/4" (ϕ 6.4) Flare connection |
| ITEM | PART NAME | REMARK |

| | | |
|------------|----|----------------|
| | H | 9-11/16 (245) |
| | W | 21-11/16 (550) |
| | D | 31-1/2 (800) |
| Air Inlet | H1 | 8-3/16 (208) |
| | W1 | 19-3/4 (502) |
| Air Outlet | H2 | 6-15/16 (176) |
| | W2 | 13-1/4 (337) |

Note: For additional dimensional data and clearance information, refer to Engineering Data