



## Submittal Data Sheet

3-Ton MSP Concealed Ducted Unit

FXSQ36TBVJU

### FEATURES

- Eleven capacity options from 5,800 Btu/h to 54,000 Btu/h External static pressure up to 0.6 in. w.g. (150 Pa).
- Low profile height of 9-5/8" (245 mm) for all models.
- 5-speed DC fan motor with selectable Auto fan speed.
- Ease of installation with auto adjusting airflow at commissioning based on external static pressure.
- Independently configurable auxiliary heat on/off temperature settings.
- Factory rear-return, field convertible to bottom-return.
- Integral condensate pump with up 25-5/16" (643 mm) of lift from the drain outlet.
- Drain pan inspection port.
- Standard Limited Warranty: 10-year limited parts warranty.

### BENEFITS

- Requires as little as 11-1/4" (285 mm) of clearance above the ceiling thanks to the low profile design.
- Auto fan speed control optimizes fan energy use by automatically adjusting the unit's fan speed as the room temperature approaches the set point.
- The drain pan inspection port simplifies maintenance by allowing for simple and easy inspection of the drain pan conditions.
- Designed for quiet operation, with sound levels as low as 28 dB(A).





## Submittal Data Sheet

3-Ton MSP Concealed Ducted Unit

FXSQ36TBVJU

### PERFORMANCE

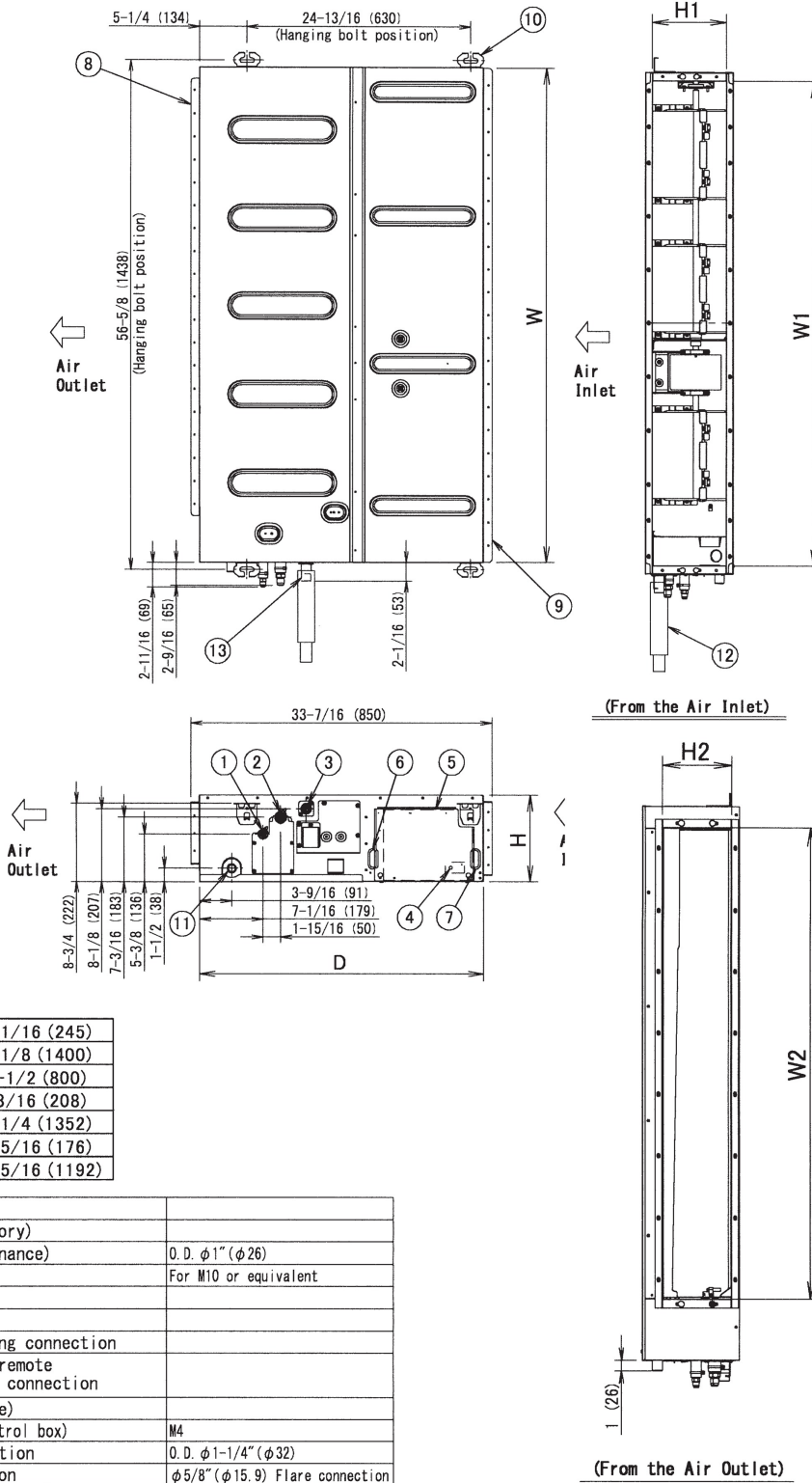
Indoor Unit Model No.	FXSQ36TBVJU	Indoor Unit Name:	3-Ton MSP Concealed Ducted Unit
Type:	Concealed Ducted	Rated Cooling Conditions:	Indoor (°F DB/WB): 80 / 67 Ambient (°F DB/WB): 95 / 75
Rated Cooling Capacity (Btu/hr):	36,000	Rated Heating Conditions:	Indoor (°F DB/WB): 70 / 60 Ambient (°F DB/WB): 47 / 43
Sensible Capacity (Btu/hr):	25,700	Rated Piping Length(ft):	
Cooling Input Power (kW):	0.331	Rated Height Separation (ft):	
Rated Heating Capacity (Btu/hr):	40,000		

### INDOOR UNIT DETAILS

Power Supply (V/Hz/Ph):	208/230 / 60 / 1	Airflow Rate (H) (CFM):	1130
Power Supply Connections:	L1, L2, G	Moisture Removal (Gal/hr):	
Min. Circuit Amps MCA (A):	2.5	Gas Pipe Connection (inch):	5/8
Max Overcurrent Protection (MOP) (A):	15	Liquid Pipe Connection (inch):	3/8
Dimensions (HxWxD) (in):	9-11/16 x 55-1/8 x 31-1/2	Condensate Connection (inch):	1-1/4
Net Weight (lb):	101	Sound Pressure (H/L) (dBA):	39/35/32
Ext. Static Pressure (Rated/Max) (inWg):	0.2 / 0.6	Sound Power Level (dBA):	67

**Submittal Data Sheet**  
 3-Ton MSP Concealed Ducted Unit  
 FXSQ36TBVJU

**DIMENSIONAL DRAWING**



H	9-11/16 (245)
W	55-1/8 (1400)
D	31-1/2 (800)
Air Inlet	H1 8-3/16 (208)
	W1 53-1/4 (1352)
Air Outlet	H2 6-15/16 (176)
	W2 46-15/16 (1192)

ITEM	PART NAME	REMARK
13	Drain socket	
12	Drain hose (Accessory)	
11	Socket (for maintenance)	O. D. $\phi$ 1" ( $\phi$ 26)
10	Hanger	For M10 or equivalent
9	Air Inlet flange	
8	Air Outlet flange	
7	Power supply wiring connection	
6	Transmission and remote controller wiring connection	
5	Control box (inside)	
4	Ground terminal (Control box)	M4
3	Drain pipe connection	O. D. $\phi$ 1-1/4" ( $\phi$ 32)
2	Gas pipe connection	$\phi$ 5/8" ( $\phi$ 15.9) Flare connection
1	Liquid pipe connection	$\phi$ 3/8" ( $\phi$ 9.5) Flare connection

Note: For additional dimensional data and clearance information, refer to Engineering Data