

Job Name:	
Tag#	



<b>Submittal Data Sheet</b>	<b>RMXS48LVJU</b>
4-Ton Multi-Split Outdoor Unit	



Efficiency			
	SEER	EER	HSPF
Non-Ducted	18.8	10.3	11.3
Ducted	14.1	9.3	9.6

Performance	
<b>Cooling (Btu/hr)</b>	
Rated	48,000
Operating Range	23°F – 115°F
Rated Cooling Conditions: Indoor: 80°F DB/67°F WB Outdoor: 95°F DB/75°F WB	
<b>Heating (Btu/hr)</b>	
Rated	54,000
Operating Range	5°F – 60°F
Rated Heating Conditions: Indoor: 70°F DB/60°F WB Outdoor: 47°F DB/43°F WB	

Complete warranty details available from your local dealer or at [www.daikincomfort.com](http://www.daikincomfort.com). To receive the 12-Year Parts Limited Warranty, online registration must be completed within 60 days of installation. Online registration is not required in California or Quebec. *If product is installed in a commercial application, limited warranty period is 5 years.*

Electrical		
	208/60/1	230/60/1
System MCA	27	27
System MFA	30	30
Compressor RLA	22.7	20.5
Outdoor fan motor FLA	.30 x 2	.30 x 2
Outdoor fan motor W	70 x 2	70 x 2

**MFA:** Max. fuse amps **MCA:** Min. circuit amps (A) **FLA:** Full load amps (A)  
**RLA:** Rated load amps (A) **W:** Fan motor rated output (W)

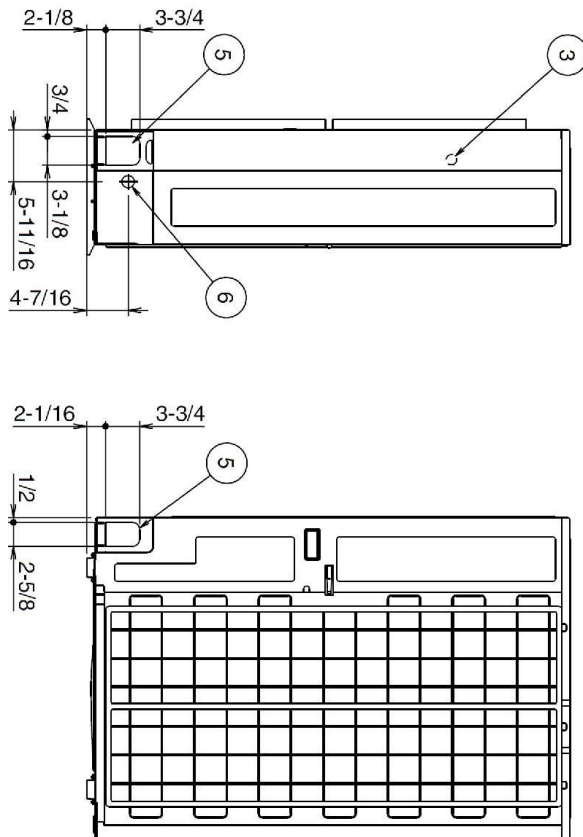
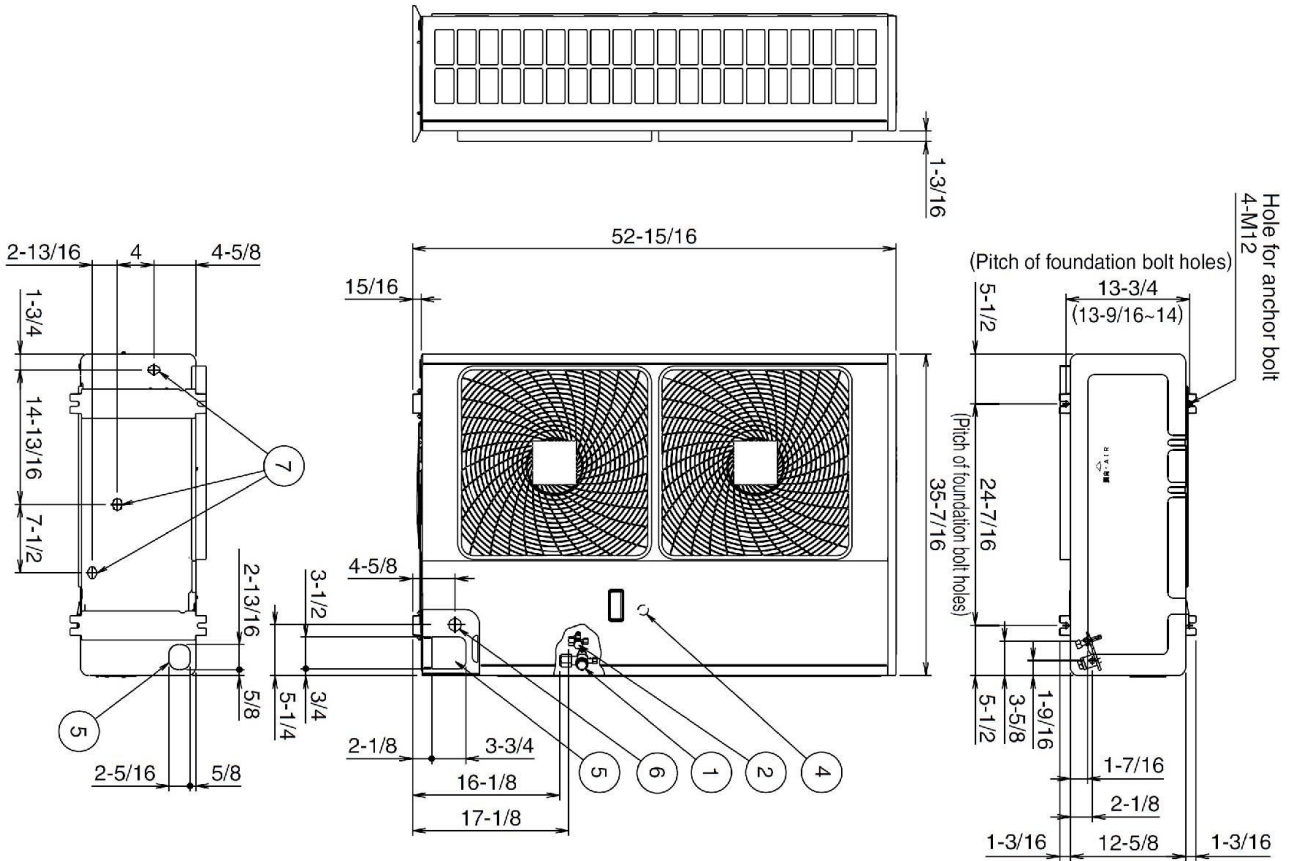
Outdoor Specifications	
Compressor	Hermetically Sealed Scroll Type
Refrigerant	R-410A
Refrigerant Oil	DAPHNE (FVC68D)
Airflow Rate (cfm)	3,740
Sound Pressure Level (dBA)	57 / 58
Dimensions (H x W x D) (in)	52-15/16 x 35-7/16 x 12-5/8
Weight (Lbs)	283

Piping	
Liquid (in) – Flare Connection	3/8
Gas (in) – Brazing Connection	3/4
Drain (in)	1

<b>Optional Accessories</b>	
-----------------------------	--

Included	Part Number	Description
	KKPJ5F180	Drain Plug
	BPMKS048A2U	Branch Port Unit – 2 Port
	BPMKS049A3U	Branch Port Unit – 3 Port
	KHRP26A22T9	REFNET Joint

# RMXS48LVJU Dimensional Data



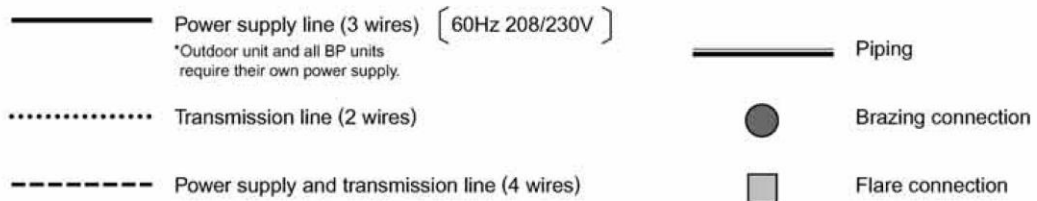
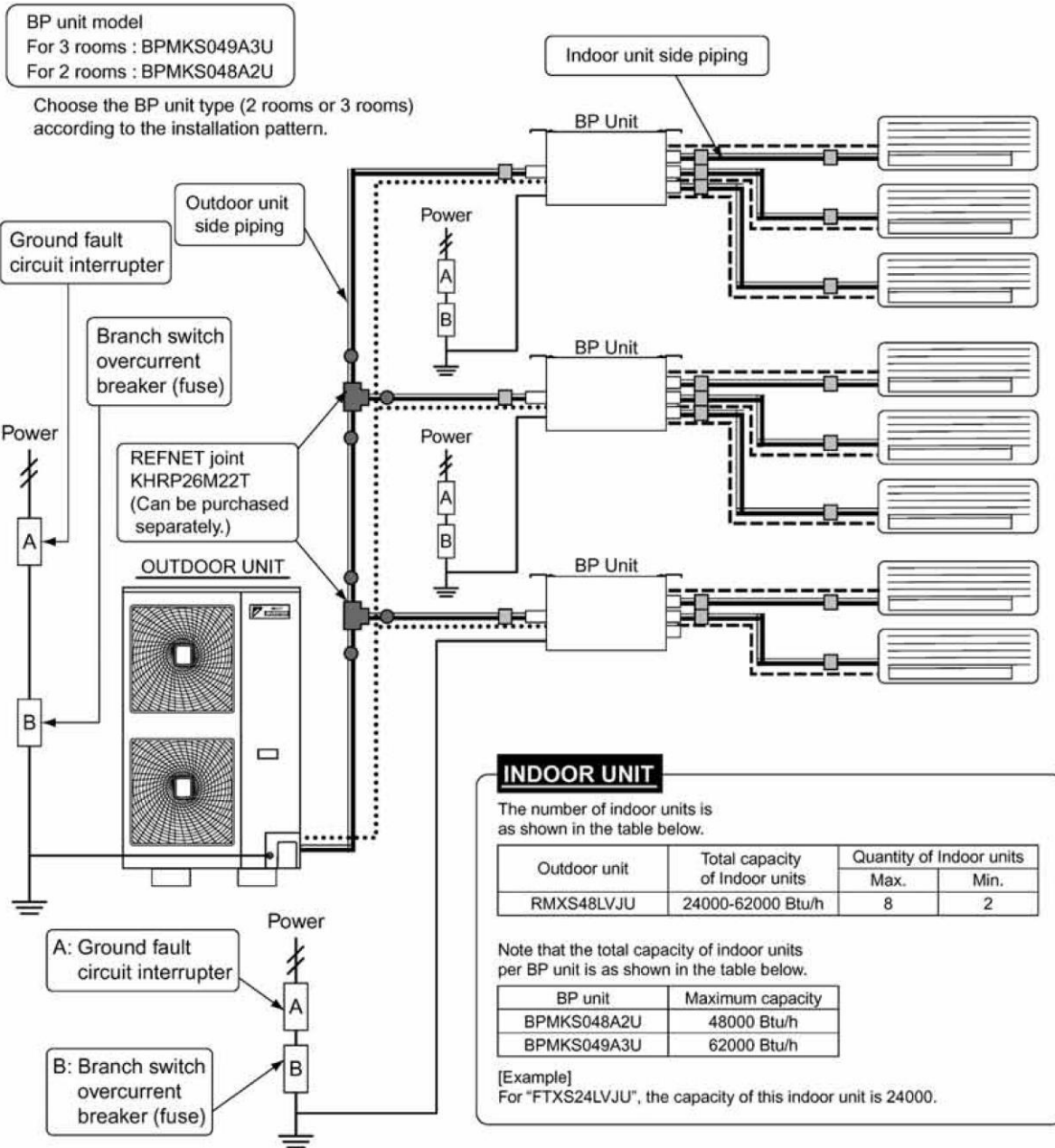
NO.	Parts name	Remarks
7	Drain pipe connection	Outside diameter $\phi$ 1" 3points
6	Power supply wiring or transmission wiring intake	$\phi$ 7/8" Knockout hole
5	Refrigerant piping intake	In the unit
4	Grounding terminal	In the unit
3	Service port	In the unit
2	Liquid pipe connection	3/8" Flare
1	Gas pipe connection	3/4" Brazing

3D080736

Daikin North America LLC 5151 San Felipe, Suite 500 Houston, TX 77056

(Daikin's products are subject to continuous improvements. Daikin reserves the right to modify product design, specifications and information in this data sheet without notice and without incurring any obligations)





**\*\*Note: For Match-up and Capacities consult with your Daikin Representative**