



Submittal Data Sheet

0.75-Ton Round Flow Sensing Cassette

FXFQ09TVJU

FEATURES

- True 360 Airflow distribution and three-room sensors enables optimized occupant comfort and efficiency
- Optional self-cleaning filter panel to further increase efficiency and reduce maintenance costs
- Individually controlled supply air louvers for comfortable air supply
- Improved efficiency with new DC fan motor and auto logic that adjusts fan speed based on space load
- Industry leading flexibility with 23 possible airflow patterns
- Integral condensate pump with up to 26-1/2" lift
- Standard Limited Warranty: 10-year warranty on compressor and all parts



BENEFITS

- Compact design to allow for installation in small ceiling voids
- Very low sound levels increase flexibility regarding location of the unit
- Increased indoor air quality with high efficiency filter options & ventilation connection kit
- Automatic occupancy dependent Set back function to save energy

Daikin North America LLC, 5151 San Felipe, Suite 500, Houston TX, 77056
www.daikinac.com www.daikincomfort.com

(Daikin's products are subject to continuous improvements. Daikin reserves the right to modify product design, specifications and information in this data sheet without notice and without incurring any obligations).



Submittal Data Sheet

0.75-Ton Round Flow Sensing Cassette

FXFQ09TVJU

PERFORMANCE

Indoor Unit Model No.	FXFQ09TVJU	Indoor Unit Name	0.75-Ton Round Flow Sensing Cassette
Type:	Cassette	Rated Cooling Conditions:	Indoor (°F DB/WB): 80 / 67 Ambient (°F DB/WB): 95 / 75
Rated Cooling Capacity (Btu/hr):	9,500	Rated Heating Conditions:	Indoor (°F DB/WB): 70 / 60 Ambient (°F DB/WB): 47 / 43
Sensible Capacity (Btu/hr):	8,500	Rated Piping Length (ft):	
Cooling Input Power (kW):	0.030	Rated Height Separation (ft):	
Rated Heating Capacity (Btu/hr):	10,500		
Heating Input Power (kW):	0.03		

INDOOR UNIT DETAILS

Power Supply (V/Hz/Ph):	208-230/60/1	Airflow Rate (HH/H/L)	441/406/353
Power Supply Connections:	L1, L2, Ground	Moisture Removal (Gal/hr):	
Min Circuit Amps MCA (A):	0.3	Gas Pipe Connection (in):	1/2 (flare)
Max Overcurrent Protection MOP (A):	15	Liquid Pipe Connection (in):	1/4 (flare)
Dimensions (HxWxD) (in):	9-11/16 x 33-1/16 x 33-1/16	Condensate Connection (in):	1 1/4
Net Weight (lb):	42	Sound Pressure (H/L) (dBA):	29/27
Ext. Static Pressure (Rated/Max) (inWg):		Sound Power Level (dBA):	

Daikin North America LLC, 5151 San Felipe, Suite 500, Houston TX, 77056
www.daikinac.com www.daikincomfort.com

(Daikin's products are subject to continuous improvements. Daikin reserves the right to modify product design, specifications and information in this data sheet without notice and without incurring any obligations).

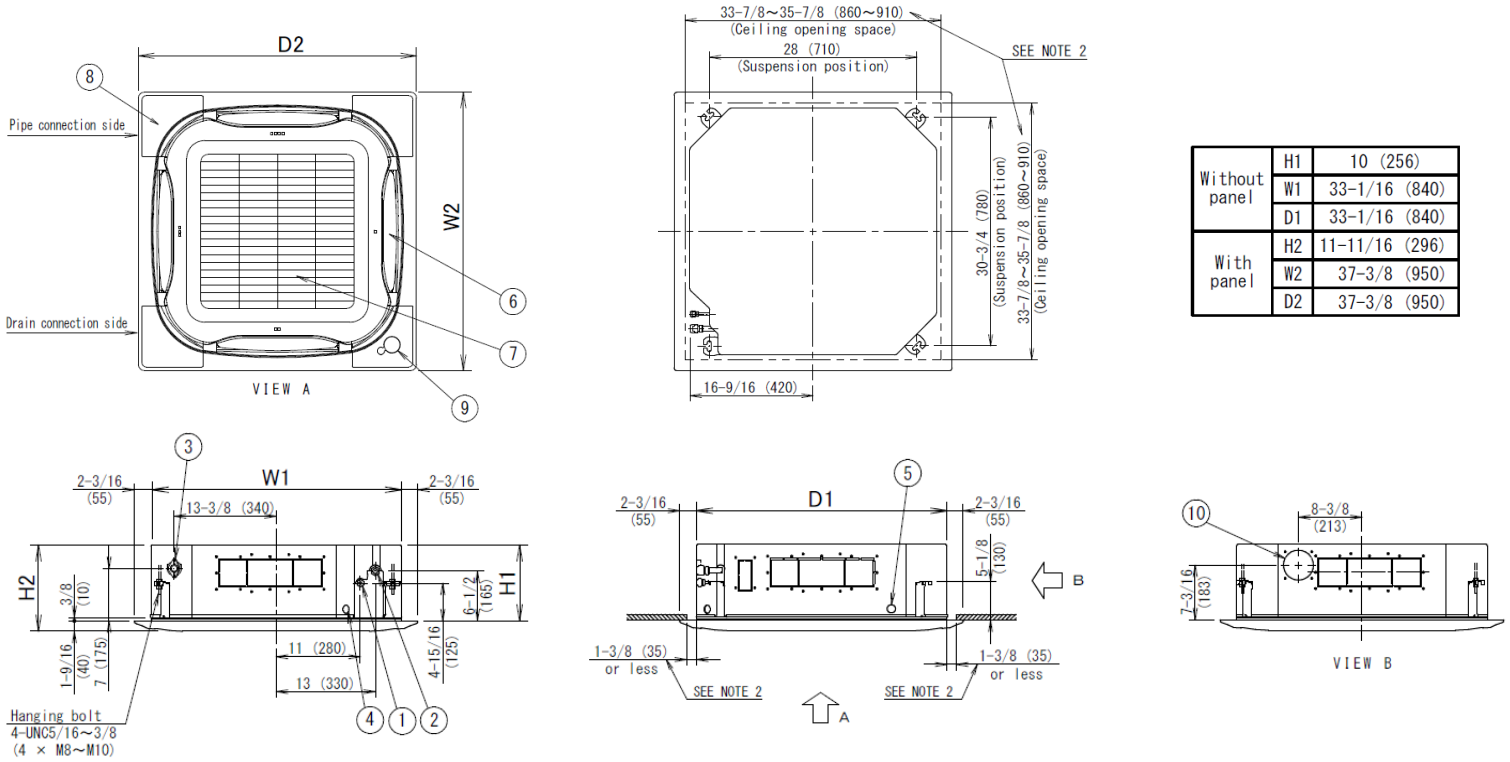


Submittal Data Sheet

0.75-Ton Round Flow Sensing Cassette

FXFQ09TVJU

DIMENSIONAL DRAWING



Without panel	H1	10 (256)
	W1	33-1/16 (840)
	D1	33-1/16 (840)
With panel	H2	11-11/16 (296)
	W2	37-3/8 (950)
	D2	37-3/8 (950)

ITEM	PART NAME	REMARK
1	Liquid pipe connection	Φ1/4 (φ6.4) Flare connection
2	Gas pipe connection	Φ1/2 (φ12.7) Flare connection
3	Drain pipe connection	VP25 (O.D. φ1-1/4 (φ32), I.D. φ1 (φ25))
4	Power supply connection	
5	Transmission wiring connection	
6	Air Outlet	
7	Air Inlet grille	
9	Sensor	Infrared presence sensor Infrared floor sensor
10	Knock out hole	φ3-15/16 (φ100)

Notes) 1. Location of the nameplates:

- Unit body: on the control box cover.
- Decoration panel: on the panel frame at the motor side under the corner cover.

2. Make sure the spacing between the ceiling and the cassette is no more than 1-3/8" (35mm).
MAX ceiling opening: 35-7/8" (910mm).

3. When the conditions exceed 86°F (30°C) and RH 80% in the ceiling or fresh air is inducted into the ceiling an additional insulation is required (polyethylene foam, thickness 3/8" (10mm) or more).

Daikin North America LLC, 5151 San Felipe, Suite 500, Houston TX, 77056

www.daikinac.com www.daikincomfort.com

(Daikin's products are subject to continuous improvements. Daikin reserves the right to modify product design, specifications and information in this data sheet without notice and without incurring any obligations).