



DAIKIN FTQ SERIES HEATING AND COOLING SYSTEMS

MULTI-POSITIONAL AIR HANDLER
Up to 16.4 SEER2 / Up to 9.2 HSPF2 / Up to 11.9 EER2
INVERTER (VARIABLE-SPEED) COMPRESSOR



Comfort

We offer a wide range of products, and always provide you with the ideal solution, whether for an apartment, condo or a house. Our units are whisper quiet and, with their specially designed airflow pattern, they create your ideal indoor climate.

Daikin units are designed to include features that let you create your own unique ecosystem. From the wide-angle louver design to the auto-swing and comfortable mode controller settings, effective heating and cooling is ensured throughout the space.

Smart inverter technology

 Integrated with an inverter (variable-speed) compressor, Daikin systems deliver the capacity required to maintain desired room conditions, typically reducing energy consumption by up to 30% or more (compared to traditional fixed-speed ducted systems). This technology minimizes temperature fluctuations and provides continuous cooling and heating comfort.

Energy efficiency

Our products are designed to be highly efficient all year round, and their low energy consumption is reflected in low energy bills for you.

Flexibility

With space saving design, wide operation range and long pipe lengths you have maximum flexibility in your design to suit your needs.

Reliability

Daikin products are renowned for their reliability. And you can rely on service to match, with industry leading warranties.*



* Complete warranty details available from your local dealer or at www.daikincomfort.com. The duration of warranty coverages in Texas differs in some cases.

FTQ Series

Standard features

- » Full multi-position air handler capable of upflow, downflow**, horizontal left, or horizontal right configurations
- » Wide lineup of electric heat (field installed) options from 3kW to 19W
- » Designed with less than 2% air leakage when tested in accordance with ASHRAE standard 193
- » External static pressure capabilities of up to 0.9 in. w.g. allow for longer duct runs and easily implementing high MERV filtration with appropriate transitions
- » Outside air integration possible

Time-saving installation

- » Available without optional factory installed disconnect (Built to order — model FTQ_TAVJUA)
- » At 45" tall and only 17.5" wide, up to 3 tons, the FTQ can be installed in tight spaces
- » Easily integrate third party accessories such as a humidifier or economizer with on-board contacts
- » Gravity-fed drain connection
- » Designed for zero clearance on three sides and only 24" clearance on the front for service

**Downflow requires field installed optional downflow accessory

Outdoor unit features:



Anti-Corrosion Treatment on Heat Exchanger



Auto-Restart – The unit memorizes the operation mode, airflow and temperature settings. Should there be a power failure when the unit is in operation, it will automatically return to the same operating conditions when the power is restored.



Self-Diagnosis – In the event that a problem develops with the unit, malfunction codes can be displayed on the liquid crystal panel of the remote control for fast and easy fault diagnosis.



FTQ SERIES HEATING AND COOLING SYSTEMS MULTI-POSITIONAL AIR HANDLER

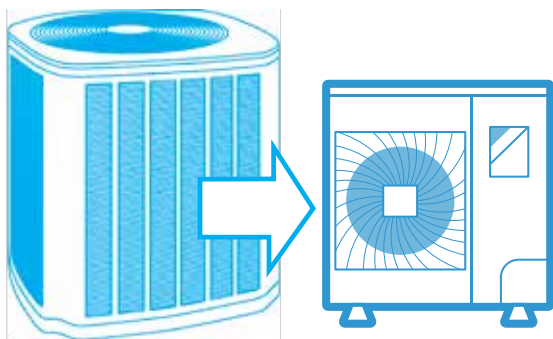
Up to 16.4 SEER2 / Up to 9.2 HSPF2 / Up to 11.9 EER2

Feel the difference

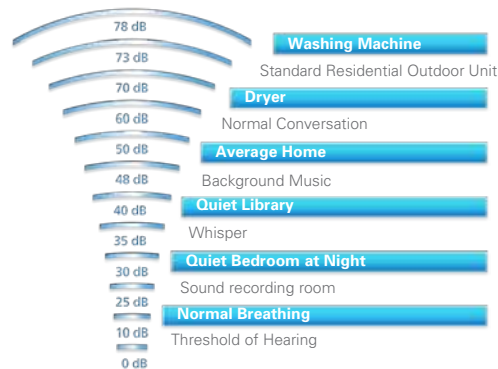
Designed for superior heating capacity in low ambient conditions, Daikin FTQ Ducted systems provide comfortable heating operation down to -4°F WB (-20°C WB). This capability can help simplify installation cost and operational cost by eliminating the need for additional supplemental electric heat. As a year round solution, the Daikin FTQ Ducted systems also operate in Cooling mode from 23°F DB (-5°C DB) to 122°F DB (50°C DB).

Hear the difference

Utilizing inverter technology to maintain comfort settings, Daikin systems most often operate at low speeds with indoor sound levels as low as 38 decibels (dB) and outdoor sound levels as low as 57 dB.



Sound levels as low as:



See the difference

A Daikin inverter system is designed for installation where space is limited, such as with zero lot lines, or limited to roof, wall or terrace areas. The compact and lightweight design, when compared to traditional solutions allows the Daikin inverter system to be used in homes with the strictest of limitations with relative ease.

Advanced water-shedding drain pan

Engineered with multiple drain holes and channels providing effective water shedding



Single fan drain pan

Double fan drain pan

Knowledge is power

In general, system performance is measured by a higher Seasonal Energy Efficiency Ratio (SEER2) and Energy Efficiency Ratio (EER2). Higher ratings mean lower operating costs. Similarly, a higher rated Heating Seasonal Performance Factor (HSPF2) and Coefficient of Performance (COP) means a more efficient air-source heat pump.

Why is it important?

The COP of a heat pump is the ratio of: $COP = \frac{\text{energy out}}{\text{energy in}}$. When the COP is >1, the result is a system providing more heating energy than energy consumed. As the COP increases, the higher the efficiency — resulting in lower utility costs.

| | |
|---|--|
| Up to | |
| 16.4 SEER2 | 11.9 EER2 |
| 9.2 HSPF2 | 3.5 COP2 <small>(Coefficient of Performance)</small> |
| Inverter Ducted Heat Pump Efficiency ratings | |

COP

- Oil .85
- Natural Gas .95
- Electricity 1.00

FTQ SERIES 3.5 COP2



You're always in control.

Individual comfort and control

Daikin systems have an available infrared remote controller allowing you to access all functions at the click of a button.

From anywhere in the world. Or your living room.

It can happen to anyone. You forgot to change the temperature of your heat pump system or air conditioner before leaving the house, or you will be delayed returning home and wish to avoid needlessly heating or cooling your home. What in the past would have resulted in wasted energy is no longer a problem. With the DKN App, you are always in control. You can use your tablet or smart-phone to access your Daikin system via the internet*.



*Requires AZAI6WSCDKA Wi-Fi adaptor.



Daikin Madoka Remote Controller



Daikin is pleased to introduce the *Madoka* remote controller for the North American FTQ & *SkyAir* indoor units. The *Madoka* features a sleek and stylish design with an intuitive interface including touch button control. It retains advanced functions

for indoor unit control. It can be commissioned and managed with ease through a Bluetooth® configuration app or via the onboard menus. The *Madoka* provides 3 configurable display modes: Text (default), Icon, and Scale to help meet project and occupant needs. Learn more at www.daikinac.com.



Madoka Quick Set App
Available for download on iOS and Android devices.



Daikin DKN Plus Interface



The new Daikin DKN Plus Interface (AZAI6WSPDKC) enables the energy-efficient control of Daikin air conditioners by a third-party thermostat or an automation system. With this interface, third party devices or systems

can control the *SkyAir* indoor units through the DKN Cloud NA App via Wi-Fi, Cloud API, Modbus®, BACnet™ MS/TP, or thermostat relay contacts. This interface can be commissioned easily through the DKN Cloud NA app via Bluetooth® Low Energy (BLE). Learn more at www.daikinac.com.

Daikin One+ Smart Thermostat



The Daikin *One+* smart thermostat is now available for *SkyAir* indoor unit models. With the new translation adaptor, connecting the Daikin *One+* smart thermostat provides several user features including remote monitoring, control and geofencing using the Daikin *One* home app, *Google*, and *Amazon* voice assistants. Learn more at www.daikinone.com.

**Note that the optional handheld remote should not be used together with the Daikin *One+* smart thermostat.

FTQ SERIES HEATING AND COOLING SYSTEMS MULTI-POSITION AIR HANDLING UNITS

| Model | Indoor Unit | | FTQ18TAVJUD | | FTQ24TAVJUD | | FTQ30TAVJUD | | FTQ36TAVJUD | | FTQ42TAVJUD | | FTQ48TAVJUD | | |
|---|--|------------------------------------|----------------|---------------------------|-------------|---------------------------|-------------|--|-------------|---------------------------|-------------|---------------------------|-------------|-----|--|
| | Indoor Unit (Without Factory Disconnect) | | FTQ18TAVJUA | | FTQ24TAVJUA | | FTQ30TAVJUA | | FTQ36TAVJUA | | FTQ42TAVJUA | | FTQ48TAVJUA | | |
| | Outdoor Unit (Cooling Only) | | RZR18TBVJUA | | RZR24TBVJUA | | RZR30TBVJUA | | RZR36TBVJUA | | RZR42TBVJUA | | RZR48TBVJUA | | |
| | Outdoor Unit (Heat Pump) | | RZQ18TBVJUA | | RZQ24TBVJUA | | RZQ30TBVJUA | | RZQ36TBVJUA | | RZQ42TBVJUA | | RZQ48TBVJUA | | |
| | | Cooling | Heating* | Cooling | Heating* | Cooling | Heating* | Cooling | Heating* | Cooling | Heating* | Cooling | Heating* | | |
| Capacity Rated | Btu/h | 17,200 | 20,000 | 23,400 | 27,400 | 29,500 | 34,000 | 35,000 | 40,000 | 40,500 | 47,000 | 47,000 | 54,000 | | |
| COP Rated* | | 3.0 | | 3.3 | | 3.5 | | 3.3 | | 3.5 | | 3.3 | | | |
| EER2 Rated | | 11.7 | | 9.9 | | 11.9 | | 11.2 | | 10.6 | | 9.1 | | | |
| SEER2 | | 15.6 | | 16.2 | | 15.6 | | 16.4 | | 16 | | 15.3 | | | |
| HSPF2* | | 8.7 | | 8.7 | | 9.1 | | 8.8 | | 9.2 | | 8.8 | | | |
| AHRI Cooling Only# | | 211635154 | | 211635155 | | 211635156 | | 211635157 | | 211635158 | | 211635146 | | | |
| AHRI Heat Pump# | | 211635176 | | 211635177 | | 211635180 | | 211635181 | | 211635178 | | 211635179 | | | |
| Piping Connections | Liquid | in. (mm) | Ø 3/8 (Ø 9.5) | | | | | | | | | | | | |
| | Gas | | Ø 5/8 (Ø 15.8) | | | | | | | | | | | | |
| | Drain | | Ø 1 (Ø 25.4) | | | | | | | | | | | | |
| Max. Interunit Piping Length | | 164 (50) | | | | 230 (70) | | | | | | | | | |
| Max. Interunit Height Difference | ft. (m) | | | | | 98.4 (30) | | | | | | | | | |
| Chargeless | | | | | | 15 (4.5) | | | | | | | | | |
| FTQ Additional Charge† | lbs. | 0.1 | | | | 0.71 | | | | 1.05 | | | | | |
| Amount of Additional Charge of Refrigerant | lbs./ft (kg/m) | 0.036 (0.0536) | | | | | | | | | | | | | |
| Operating Range - Cooling | °F DB (°C DB) | 23° - 122°F (-5° - 50°C) | | | | | | | | | | | | | |
| Operating Range - Cooling with Optional Air Adjustment Grille | °F DB (°C DB) | 0° - 122°F (-17.7° - 50°C) | | | | | | | | | | | | | |
| Operating Range - Heating* | °F WB (°C WB) | -4° - 60°F (-20° - 15.5°C) | | | | | | | | | | | | | |
| Indoor Unit | | FTQ18TAVJUD / FTQ18TAVJUA | | FTQ24TAVJUD / FTQ24TAVJUA | | FTQ30TAVJUD / FTQ30TAVJUA | | FTQ36TAVJUD / FTQ36TAVJUA | | FTQ42TAVJUD / FTQ42TAVJUA | | FTQ48TAVJUD / FTQ48TAVJUA | | | |
| External Static Pressure | in. wg (Pa) | 0.9 (224) | | | | | | | | | | | | | |
| Airflow Rate | H | cfm (m³/min) | 600 (17.0) | | 800 (22.7) | | 1000 (28.3) | | 1050 (29.7) | | 1400 (39.6) | | 1520 (43.1) | | |
| | M | | 510 (14.4) | | 680 (19.3) | | 850 (24.1) | | 900 (25.5) | | 1190 (32.7) | | 1290 (36.5) | | |
| | L | | 420 (11.9) | | 560 (15.9) | | 700 (19.8) | | 750 (21.2) | | 980 (27.8) | | 1060 (30) | | |
| Fan | Type | Sirocco Fan | | | | | | | | | | | | | |
| Air Direction Control | | N/A | | | | | | | | | | | | | |
| Air Filter | | N/A | | | | | | | | | | | | | |
| Dimensions (H x W x D) | in. (mm) | 45 x 17.5 x 21 (1143 x 445 x 533) | | | | | | 53.4 x 21 x 21 (1357 x 533 x 533) | | | | | | | |
| Weight | lbs. (kg) | 115 (52.2) | | | | | | 140 (63.5) | | 150 (68) | | | | | |
| Sound Pressure Level (H / M / L / SL) | dB(A) | 53 / 50 / 47 | | 45 / 41 / 38 | | 52 / 48 / 44 | | 52 / 48 / 44 | | 54 / 50 / 46 | | 54 / 50 / 46 | | | |
| Outdoor Unit | | RZR18TBVJU / RZQ18TBVJU | | RZR24TBVJUA / RZQ24TBVJUA | | RZR30TBVJUA / RZQ30TBVJUA | | RZR36TBVJUA / RZQ36TBVJUA | | RZR42TBVJUA / RZQ42TBVJUA | | RZR48TBVJUA / RZQ48TBVJUA | | | |
| Compressor | Motor Output | W | | 1,900 | | | | 3,500 | | | | | | | |
| Refrigerant | Type | R-410A | | | | | | | | | | | | | |
| | Charge | lbs. (kg) | | 6.4 (2.9) | | | | 7.9 (3.6) | | | | | | | |
| Airflow Rate | H | cfm (m³/min) | | 2,682 (76) | | | | 3,741 (106) | | | | | | | |
| Dimensions (H x W x D) | in. (mm) | 39 x 37 x 12-5/8 (990 x 940 x 320) | | | | | | 52-15/16 x 35-7/16 x 12-5/8 (1345 x 900 x 320) | | | | | | | |
| Weight | lbs. (kg) | 172 (78) | | | | | | 225 (102) | | | | | | | |
| Sound Pressure Level | H | dB(A) | | 58 | | 61* | | 57 | | 59* | | 57 | | 59* | |

*Applicable to heat pump models only, refer to installation manual for more details.

† Additional charge needed regardless of piping length. Refer to installation manual.

Electric Heater Options

| OUTDOOR UNIT | OPTIONAL ACCESSORIES |
|--------------|---|
| KPW5G112 | Air Adjustment Grille (RZR18, 24; RZQ18, 24) |
| KPW5F80 x 2 | Air Adjustment Grille (RZR30, 36, 42, 48; RZQ30, 36, 42, 48) |
| KEHJ5A160E | Drain Pan Heater (RZQ18, 24, 30, 36, 42, 48) |
| KPS00344 | Snow Visor (RZR18, 24, 30, 36, 42, 48; RZQ18, 24, 30, 36, 42, 48) |
| VRVQA-SH-SF | Snow Hood Kit (RZR18, 24; RZQ18, 24) |
| VRVQA-SH-DF | Snow Hood Kit (RZR30, 36, 42, 48; RZQ30, 36, 42, 48) |

| ELECTRICAL HEATER CAPACITY | | | | | | | |
|----------------------------|-----|-----|-----|-----|------|------|------|
| Model Name | 3kW | 5kW | 6kW | 8kW | 10kW | 15kW | 19kW |
| FTQ18TAVJUD/A | ■ | ■ | ■ | ■ | ■ | | |
| FTQ24TAVJUD/A | ■ | ■ | ■ | ■ | ■ | | |
| FTQ30TAVJUD/A | ■ | ■ | ■ | ■ | ■ | | |
| FTQ36TAVJUD/A | ■ | ■ | ■ | ■ | ■ | | |
| FTQ42TAVJUD/A | | ■ | ■ | ■ | ■ | ■ | ■ |
| FTQ48TAVJUD/A | | ■ | ■ | ■ | ■ | ■ | ■ |

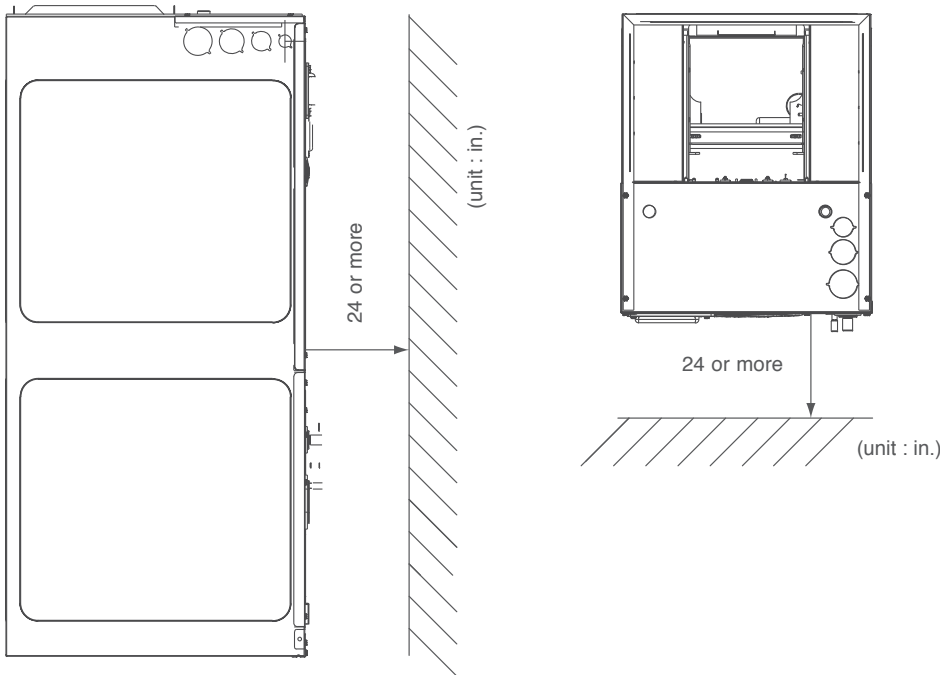
FTQ SERIES MULTI-POSITION AIR HANDLING UNITS HEAT PUMP AND COOLING ONLY INSTALLATION

Ease of installation

Connected by a pair of refrigerant lines, few electrical connections, and no ductwork, indoor and outdoor units can be easily installed in existing spaces with minor disruption and often in a single day's work. The compact and lightweight designs combined with piping lengths up to 230 ft. and minimal wiring allow installation with minimal time and costs.

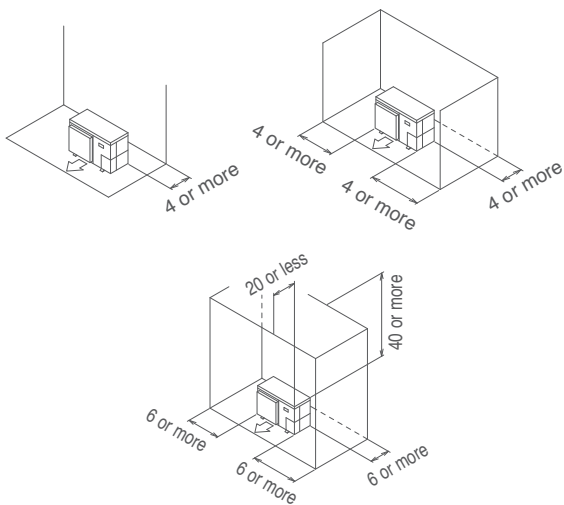
FTQ18/24/30/36/42/48/TAVJUD/A Installations Configurations

Designed for zero clearance on three sides and only 24" clearance on the front for service



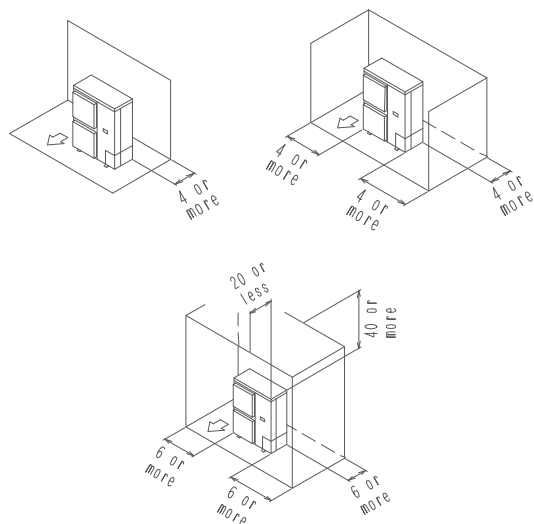
RZQ18/24TBVJUA Single-Fan Unit

Space required for installation (in.)



RZQ30/36/42/48/TBVJUA Double-Fan Unit

For double fan outdoor modules, the requirements are similar in some cases. Always refer to installation manuals for details.



About Daikin:

Daikin Industries, Ltd. (DIL) is a global Fortune 1000 company and is recognized as one of the largest HVAC (Heating, Ventilation, Air Conditioning) manufacturers in the world. Founded in 1924, Daikin is approaching 100 years of HVAC worldwide leadership. DIL is primarily engaged in developing indoor comfort systems and refrigeration products for residential, commercial, and industrial applications. Its consistent success is derived, in part, from a focus on innovative, energy-efficient, and premium quality indoor climate and comfort management solutions.

Daikin *SplitXpress* Selection Tool

The new interactive *SplitXpress* mobile app and website provide a complete product selection tool to streamline system selection for single and multi-zone projects. Users can create equipment selections and add accessories / pricing details to quickly share quotes with customers. Available for free on the *App Store* (iOS) and *Google Play* (Android), and at <https://splitxpress.daikincity.com>.



WARNINGS:

- » Always use a licensed installer or contractor to install this product. Do not try to install the product yourself. Improper installation can result in water or refrigerant leakage, electrical shock, fire or explosion.
- » Use only those parts and accessories supplied or specified by Daikin. Ask a licensed contractor to install those parts and accessories. Use of unauthorized parts and accessories or improper installation of parts and accessories can result in water or refrigerant leakage, electrical shock, fire or explosion.
- » Read the User's Manual carefully before using this product. The User's Manual provides important safety instructions and warnings. Be sure to follow these instructions and warnings.
- » For any inquiries, contact your local Daikin sales office.



App Store is a registered trademark of Apple Inc.

Google Play and the *Google Play* logo are trademarks of Google LLC.

The *Bluetooth*® word mark and logos are registered trademarks owned by Bluetooth SIG, Inc., and any use of such marks are under license.

BACnet™ is a trademark of ASHRAE.

Modbus® is a registered trademark of Schneider Electric USA, Inc.



ADDITIONAL INFORMATION

Before purchasing this appliance, read important information about its estimated annual energy consumption, yearly operating cost, or energy efficiency rating that is available from your retailer.



Our continuing commitment to quality products may mean a change in specifications without notice.

© 2023 **DAIKIN COMFORT TECHNOLOGIES NORTH AMERICA, INC.** · Houston, Texas · USA · www.daikincomfort.com or www.daikinac.com

CB-FTQDUCTED_03-23